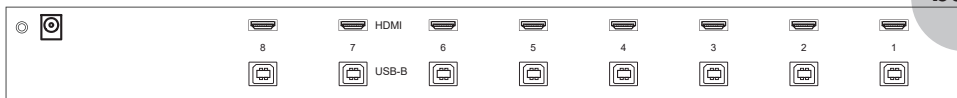




User Manual - KVM Rear Kit Version for LCD Console Drawer

MODEL: NW117HD-8Ke

2K KVM



back



Contents

< Part. 1 > 2K KVM Kit

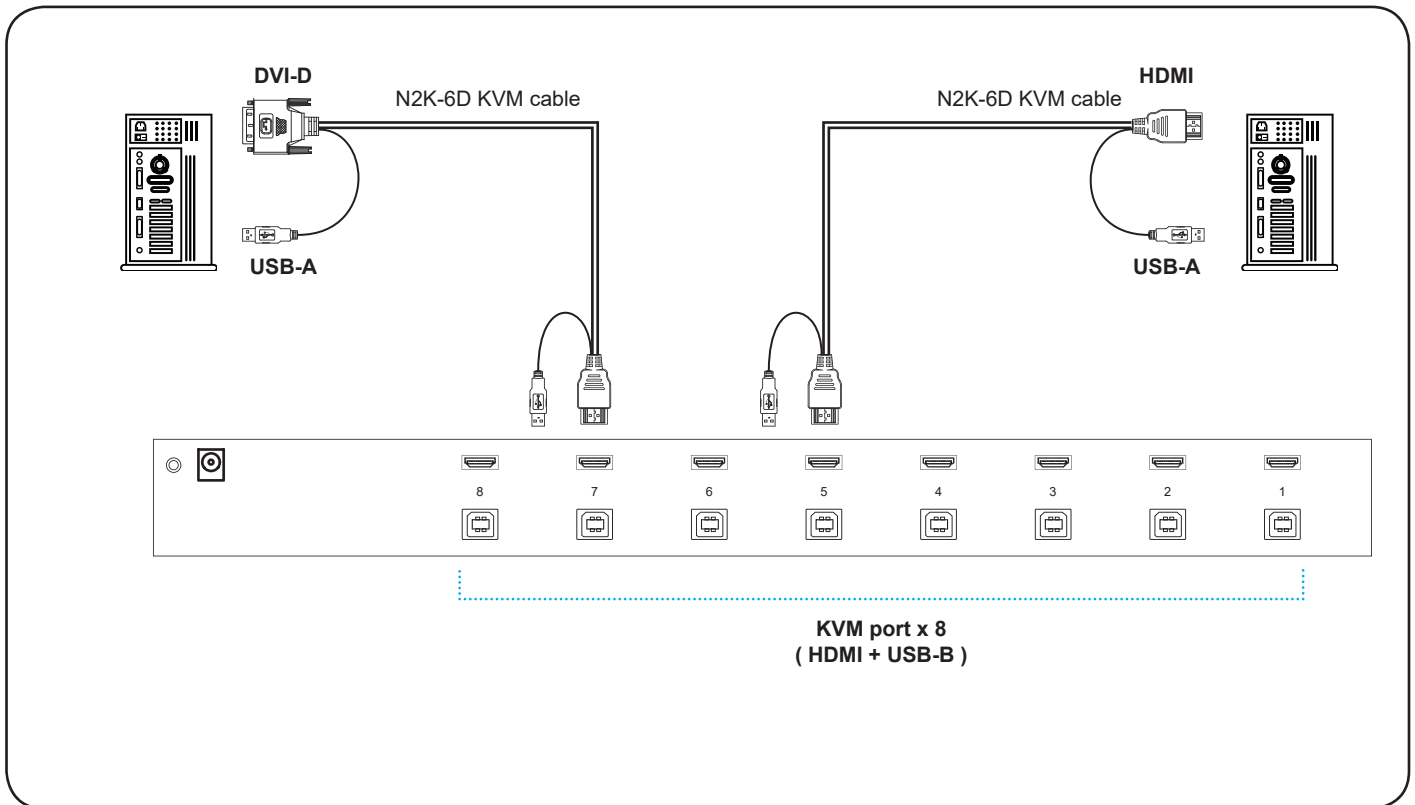
- | | | |
|-----|---------------------|-----|
| 1.1 | KVM port connection | P.1 |
| 1.2 | Specif cations | P.2 |

< Part. 2 > Usage

- | | | |
|-----|------------|-----|
| 2.1 | KVM Button | P.3 |
| 2.2 | KVM Hotkey | P.4 |

< Part 1 > 2K KVM Kit

< 1.1 > KVM port connection



2K KVM Cable

N2K-6D : 6 feet DVI-D KVM cable
(Server end : DVI-D + USB-A)
(KVM port : HDMI + USB-B)



N2K-6H : 6 feet HDMI KVM cable
(Server end : HDMI + USB-A)
(KVM port : HDMI + USB-B)



NW117HD-8Ke		
■ KVM Port		
Number of ports :	8	
Connector :	HDMI 1.4 + USB-B (Video + KB / MS)	
Resolution :	16 : 9 - max. 2560 x 1440@60Hz	
	16 : 10 - max. 1920 x 1200@60Hz	
	4 : 3 - max. 1600 x 1200@60Hz	
■ Management		
PC Selection :	Front button & keyboard hotkey	
■ Compatibility		
Hardware :	HP / IBM / Dell PC, Server and Blade Server	
	SUN / Mac	
OS Support :	Windows / Linux / Unix / Mac OS	
■ Power		
Input :	Auto sensing 100 to 240VAC, 50 / 60 Hz	
Consumption :	Max. 10W	
■ Regulatory		
Safety :	FCC & CE certif ed	
Environment :	RoHS3 & REACH compliant	
■ Environmental		
	Operating	Storage / Non-operating
Temperature :	0 to 55°C degree	-20 to 60°C degree
Humidity :	20~90%, non-condensing	5~90%, non-condensing
Altitude :	16,000 ft	40,000 ft
Shock :	10G acceleration (11ms duration)	
Vibration :	10~300Hz 0.5G RMS random	

< Part 2 > Usage

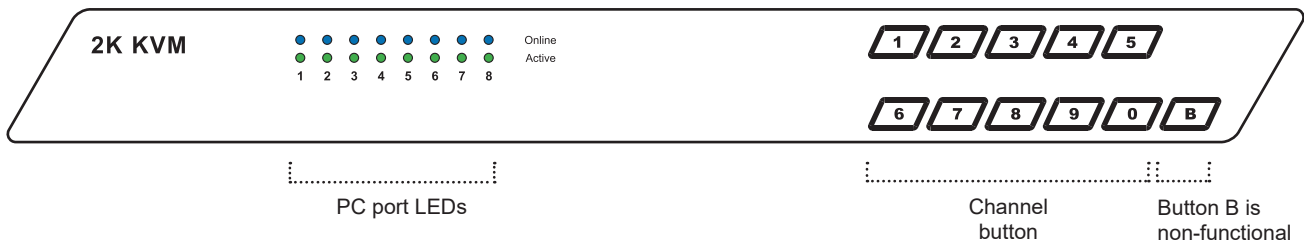
< 2.1 > KVM Button

Power ON

- Turn off all servers and KVM switches
- Make sure all cables / connectors are properly connected
- Recommend Power ON sequence is monitor, KVM switch finally computer

Front Panel - Port LED Indications

2K KVM 8 ports



PC port LEDs

Online : Blue LED on indicating a PC is connecting to the port

Active : Green LED on indicating a selected channel

Channel button

Press to select channel from 1 to 8

Hotkey	Function
Scroll Lock + Scroll Lock + ↑	Switch to previous port
Scroll Lock + Scroll Lock + ↓	Switch to next port
Scroll Lock + Scroll Lock + Port no.	Switch to specific port
Scroll Lock + Scroll Lock + S	Auto scan for powered on PC
Scroll Lock + Scroll Lock + B	Enable / Disable beeper sound

Remarks:

- Example of “Scroll Lock + Scroll Lock + Port no.”
 - Port No. : 1 to 8
 - e.g. Port 4 : Scroll Lock + Scroll Lock + 4
 - e.g. Port 8 : Scroll Lock + Scroll Lock + 8
- You must press the hotkey within 3 seconds
- A beep sound will be heard for successful entering

Hotkey Label

KVM Hotkey

Auto Scan : SL + SL + S

Buzzer ON / OFF : SL + SL + B

SL = Scroll Lock

Change Port : SL + SL + Up / Down Arrow

Select Port : SL + SL + Port No.