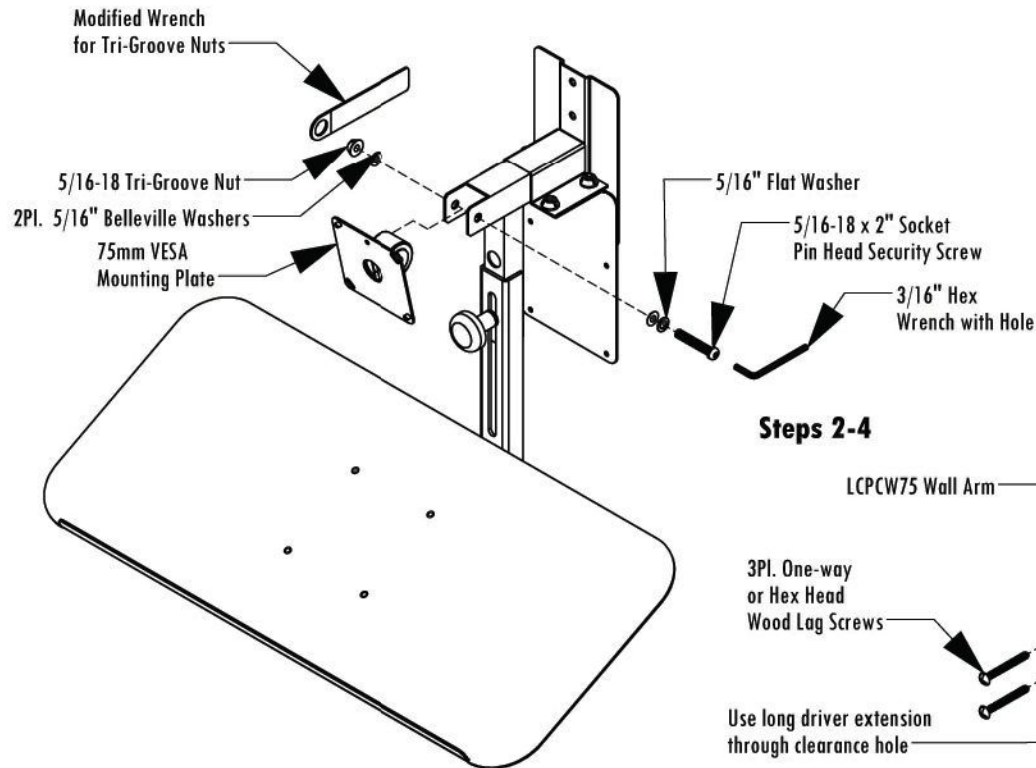


# LCDPCW75

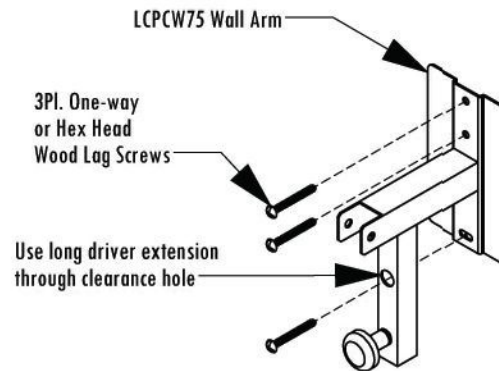
## Wall Mount for LCD with PC & Keyboard Tray

### Step 1



- 1) Remove the 5/16-18 x 2" Pin Head Security Screw, 5/16-18 Tri-groove Nut and 5/16" Washers from the 75mm VESA Mounting Plate and set aside for later. Use the provided 3/16" Hex Wrench and Tri-groove Nut Wrench
- 2) Determine the best possible viewing location where there is a wood stud located. Use the LCDPCW75 Wall Plate to mark the location of three mounting holes in the desired location at the desired elevation. Double check to make sure the LCD will have adequate clearance from the ceiling.
- 3) Drill three pilot holes into the wood stud with a 1/8" drill bit 2-1/2" deep in the previously marked locations.
- 4) Attach the LCDPCW75 Wall Arm to the wall with the provided One-way Security or Hex Head Lag Screws. If needed, use a driver extension for installation of the bottom screw.

### Steps 2-4



### Assembly Hardware

- |        |  |
|--------|--|
| 1 ...  | 5/16-18 x 2" Socket Security Screw (06-10011227) |
| 1 ...  | 5/16-18 Tri-groove Nut (06-400151618)            |
| 2 .... | 5/16" Belleville Washers (06-32585160)           |
| 1 ...  | 5/16" Flat Washers (06-31010517)                 |
| 1 ...  | 1/4-20 x 1-1/2" Socket BH Screw (06-10825200)    |
| 4 ...  | 1/4" Belleville Washers (06-32581425)            |
| 2 ...  | 1/4" Flat Washers (06-30101316)                  |
| 1 ...  | 1/4-20 Nylock Nut (06-40252520)                  |
| 1 ...  | 1" Round Knob with 1/4-20 Insert                 |
| 1 ...  | 1-1/2" Round Knob with 1/4-20 x 1-1/4" Stud      |
| 1 ...  | 1/4-20 Acorn Nut (06-42012520)                   |
| 4 ...  | #10 Washers (06-30110500)                        |
| 4 ...  | #10 Acorn Nuts (06-42011024)                     |

### Installation Hardware Kit

- |       |  |
|-------|--|
| 3 ... | #14 x 2-1/2" HWH Lag Screws (06-10012500)              |
| 3 ... | #14 x 2-1/2" One-way Security Lag Screws (06-11211425) |
| 4 ... | 4mm x 12mm Phillips Screws (06-12410412)               |
| 4 ... | 4mm x 12mm Pin Head Security Screws (06-10450532)      |
| 8 ... | 5mm Flat Washers (06-30150000)                         |

### Installation Tool Kit (Included with Mount)

- |       |  |
|-------|--|
| 1 ... | Tri-groove Nut Wrench (modified T#271 with ground edges for clearance) |
| 1 ... | 3/16" Hex Wrench w/ hole (10-06151875)                                 |
| 1 ... | 5/32" Hex Wrench w/hole (10-06151565)                                  |

## Important! Please read all warnings and cautions before installing the mount.

Caution: Improper installation of this mount may void the warranty on your monitor or PC.

Caution: Installation should be performed by qualified installers only, using construction methods prescribed by authorized architects or engineers that comply to all applicable codes and standards.

The maximum weight of monitor to be installed on the LCPCW75 is 20lbs (9.1 kg). The maximum weight of PC to be installed on the LCPCW75 is 10lbs (4.5 kg)

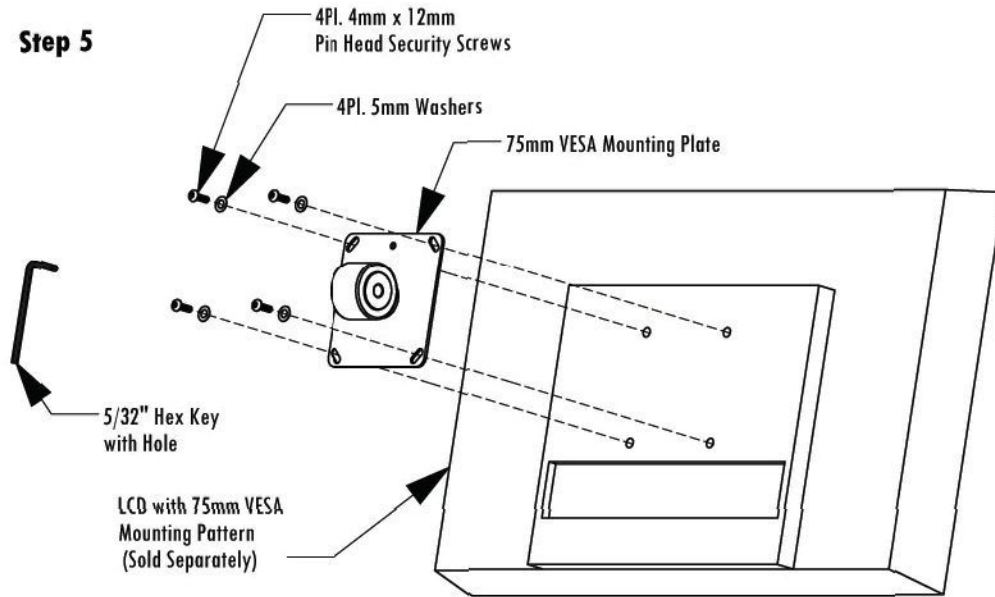
Inspect all parts to make sure there is no shipping damage. Do not install if any parts are damaged.



i-Tech Company LLC

TOLL FREE: (888) 483-2418 • EMAIL: [info@iTechLCD.com](mailto:info@iTechLCD.com) • WEB: [www.iTechLCD.com](http://www.iTechLCD.com)

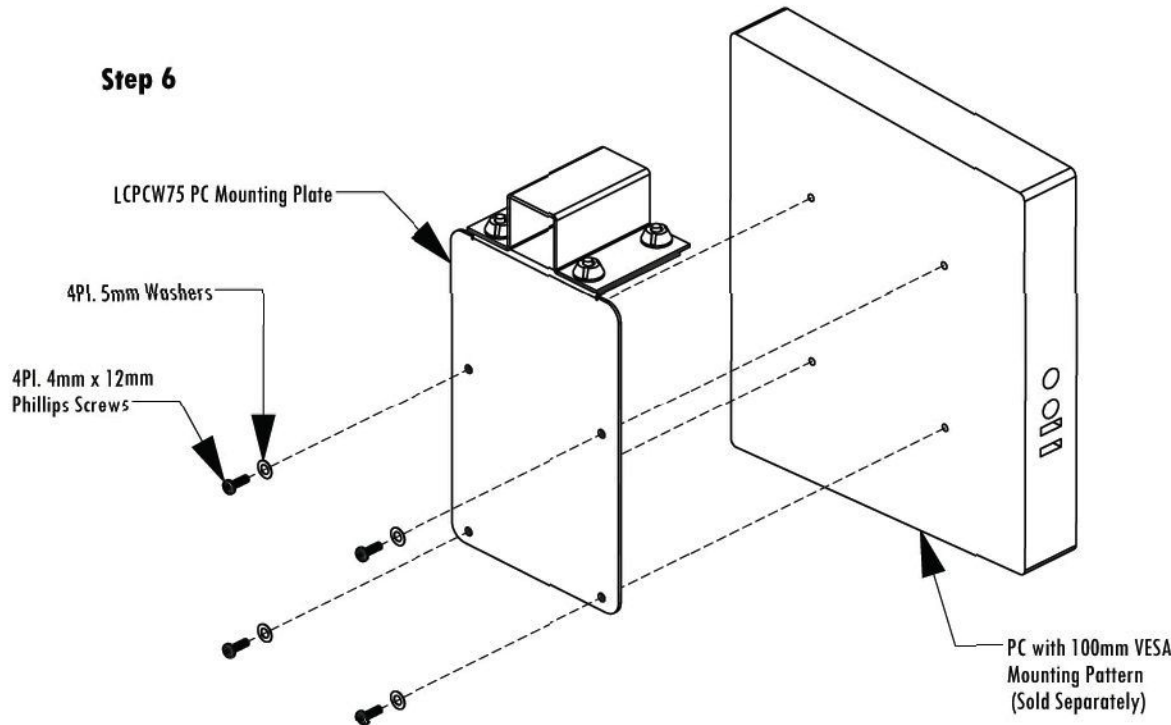
**Step 5**



- 5) Attach the LCD to the 75mm VESA Mounting Plate with the provided 4mm x 12mm Pin Head Security Screws and 5mm Washers.

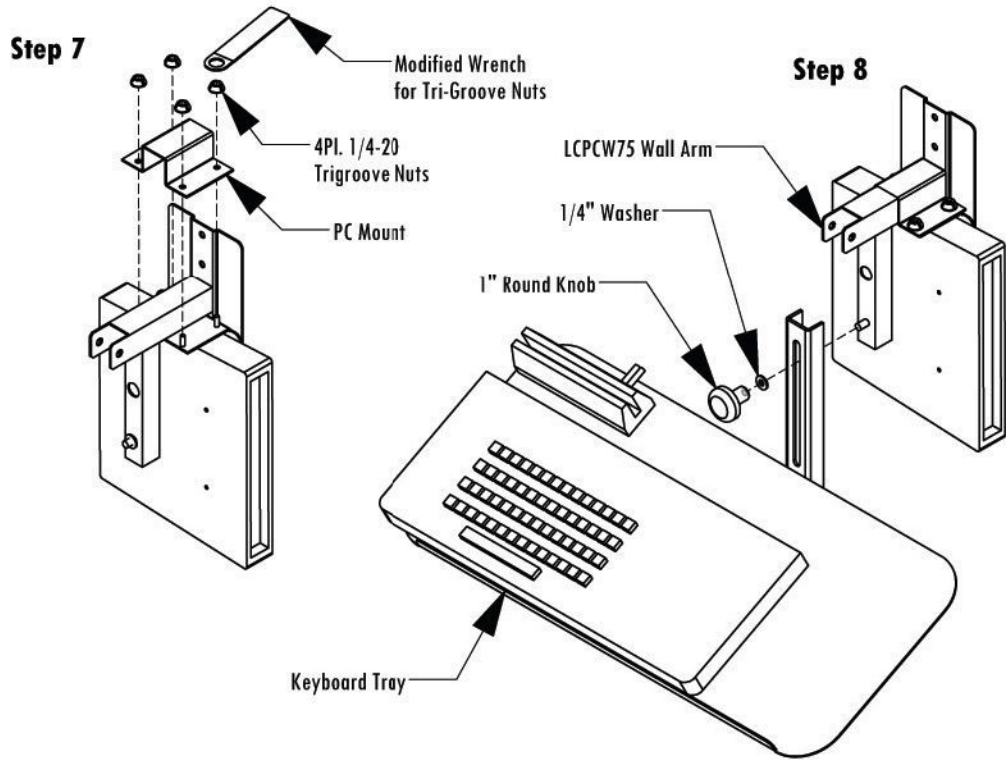
Caution! Check the LCD manual to make sure that the appropriate size monitor attaching screw is used to attach to the mount. Using the improper size monitor attaching screw can cause damage or void the warranty to your LCD.

**Step 6**



- 6) Attach the PC to the LCPCW75 PC Mounting Plate with the provided 4mm x 12mm Phillips Screws and 5mm Washers.

Caution! Check the PC manual to make sure that the appropriate size attaching screw is used to attach to the mount. Using the improper size attaching screw can cause damage or void the warranty to your PC.



- 7) Attach the PC Mount with attached PC to the LCPCW75 Wall Arm with the provided 1/4-20 Tri-groove Nuts.
- 8) Attach the Keyboard Tray to the LCPCW75 Wall Arm with the 1" Knob and 1/4" Washer.
- 9) Adjust the Keyboard Tray height and tilt using the adjustment knobs.
- 10) Attach the LCD with 75mm Mounting Plate to the LCPCW75 Wall Arm using the hardware removed in step 1.

Double check to make sure all fasteners are tight and that the LCD is positioned with the desired viewing angle.

