

6MM ALUMINUM FRONT BEZEL

21.3" LCD Monitor 1600x1200 / 1000nits LED / 89,89,89,89 / 1800:1
20ms / VGA+ DVI+ HDMI Signal Input / DC 12V Power Input
Guide Pin Spec. is 5.5mm (Diameter) / 41mm (Length)

Model: YRM2130-M1



FEATURES:

- 21.3" Industrial Panel (AUO_G213UAN01.1) / 1600x1200 / 1000nits
- Operating Temp. : 0C ~ 50°C / Contrast Ratio : 1800 : 1 / Response time : 20ms
- Panel Mount design (with 6mm front bezel) / handles x2 / rear gasket / rear screws with VESA mount
- AR Glass / Front IP65
- Front OSD (hot key control brightness)
- All Black Powder Coating
- I/O : VGA, DVI, HDMI and 12VDC with external 100-240VAC Power Adapter

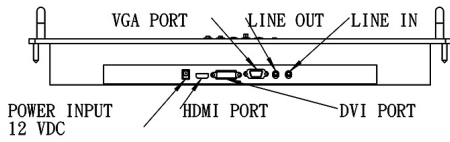
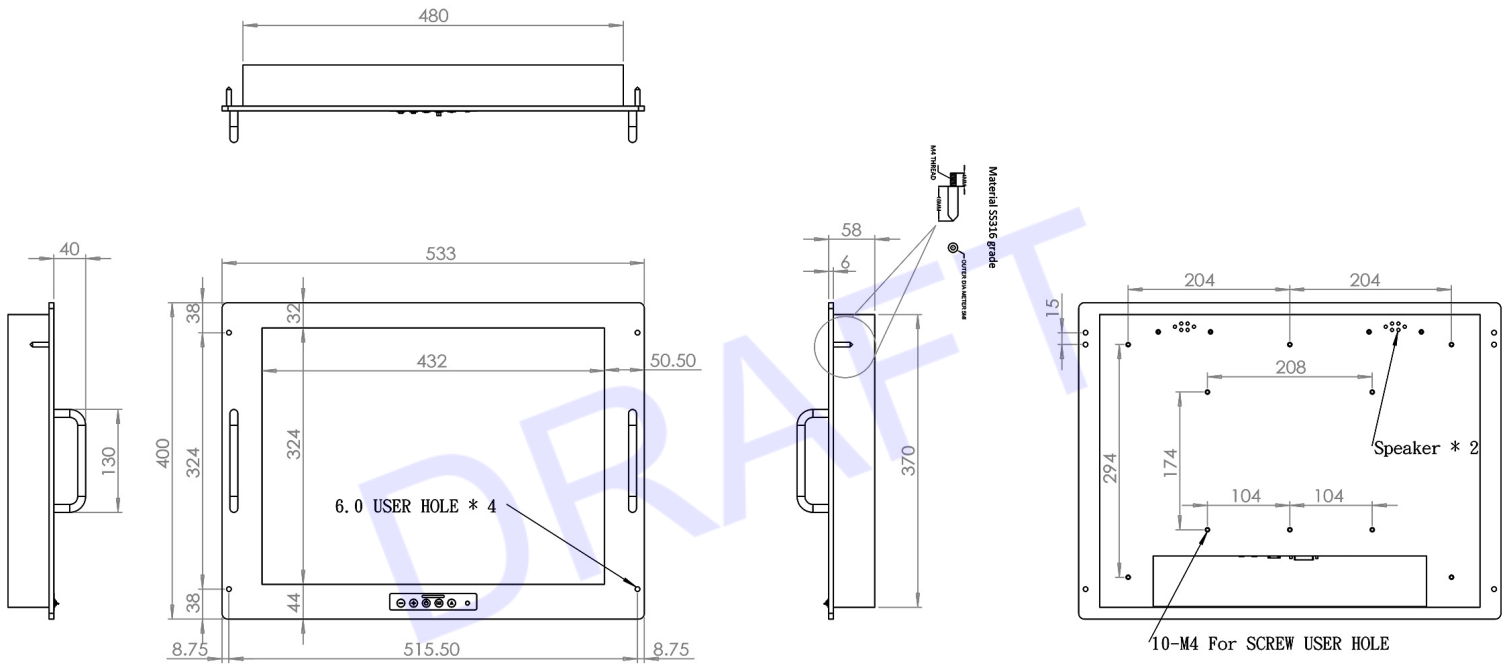
SYSTEM SPECIFICATIONS

Screen Size	21.3" TFT LCD (Touch)
Active Area	432 (H) x 324 (V)
Resolution	1600x1200
Aspect Ratio	4:3
Display Color	16.7M Colors
Contrast Ratio	1800:1 LED Backlight
Refresh Rate	≥ 60Hz
Brightness	1000nits
Pixel Pitch	0.27(H) x 0.27(V)
Viewing Angle	89/89/89/89
Signal Input	VGA+ DVI+ HDMI
Response Time	≤ 20 ms
Input Supply	12VDC with external 100-240VAC Power Adapter
OSD Panel	Front Side
Temperature Range	
Operating Condition	0°C ~ +50°C
Storage Condition	-30°C ~ +70°C

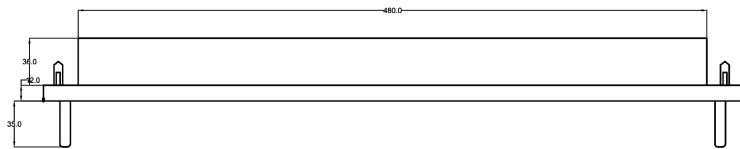
*Specifications subject to change without notice, not responsible for typographical errors.

MECHANICAL DRAWINGS:

This is subject to change without Notice. Final Drawings Will be Provided for Approval after Order.

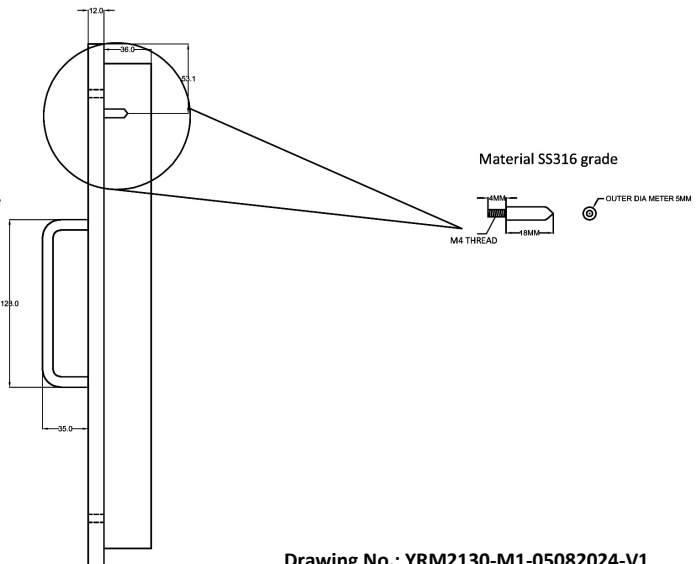
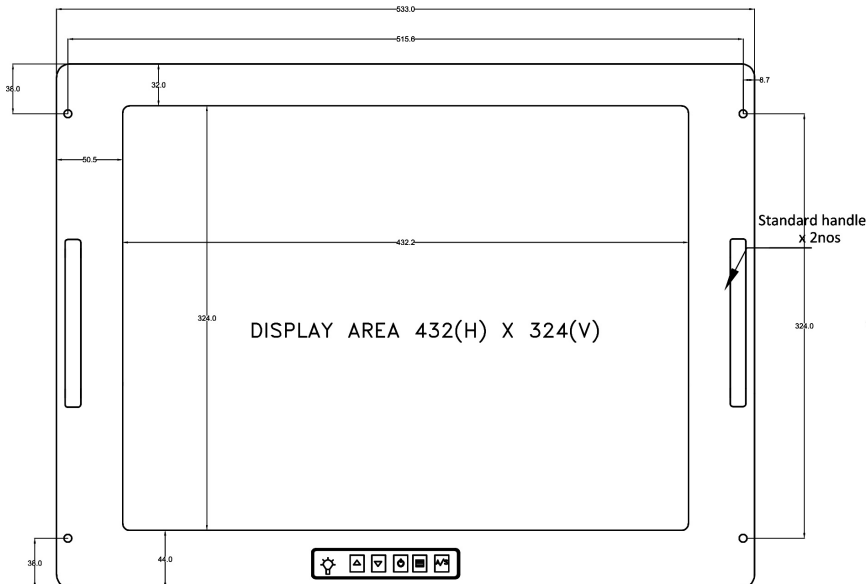


GUIDE PIN Details



FRONT VIEW

RHS VIEW



Drawing No.: YRM2130-M1-05082024-V1

Modified: 05-08-2024