

Industrial IP65 Panel Mount LCD

Industrial LCD Monitor with Aluminum Front Bezel

Panel Mount Metal Housing High Brightness Integrated IP65 Front Panel Al-6mm
24" LCD 1920*1080 3mm AR glass, 1500nits 5000:1 with VGA + DVI + HDMI Input.
Front OSD membrane with "Up" and "Down" to Control Brightness directly.

Model: YPMW2400PHB2-FOSD-H

1500nits



FEATURES:

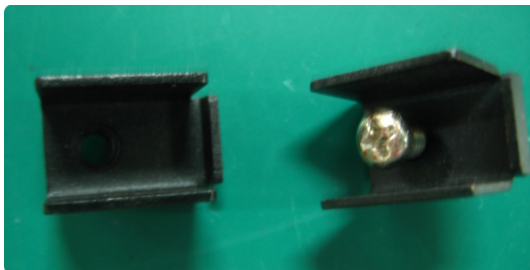
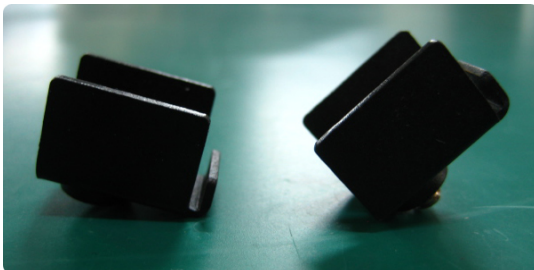
- Sunlight Readable.
- 24" Full-HD TFT LCD with resolution up to 1920x1080.
- Suitable for military, tablet, ruggedized PC, kiosk, advertising, POS, marine, transportation, gaming, gas pump.

SPECIFICATIONS:

ITEM	SPECIFICATION
Panel Type	24-inch TFT LCD
Screen Diagonal	24-inch
Active Display Area (mm)	531.36 (H) x 298.89(V)
Pixel Pitch (um)	276.75 (per one triad) x 276.75
Number of Pixels	1920(x3) x 1080
Contrast Ratio	5000: 1
Color Arrangement	R.G.B. Vertical Stripe
Brightness (cd/m ²)	1500 cd/m ²
Viewing Angle(Typ.)	89/89/89/89 (R/L/U/D)
Signal Connector	VGA, DVI-D, HDMI
Power Source	AC100 ~ 240V, Universal +/- 10%
Power Consumption	60W (Max)
Power Management	VESA DPMS Compliant
Operating Temperature	0 ~ +50°C
Storage Temperature	-20 ~ +60°C
Plug & Play	VESA DDC 1/2B

**Specifications subject to change without notice, not responsible for typographical errors.*

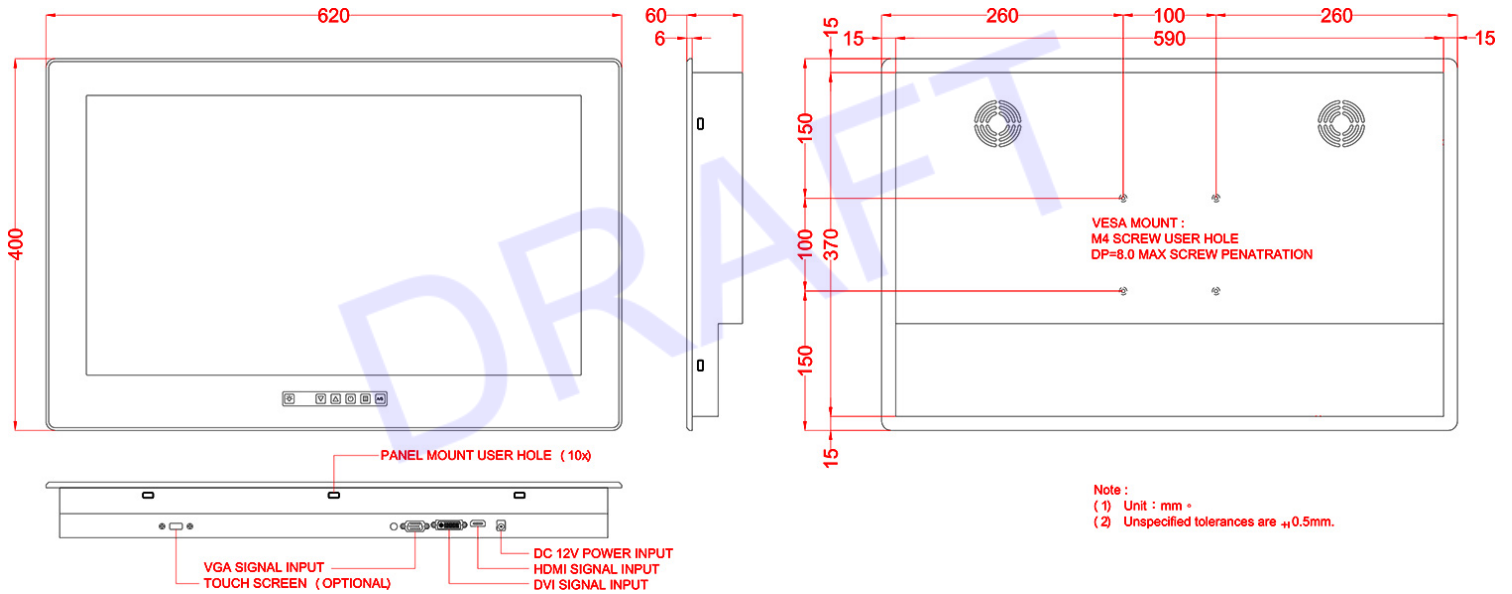
CLAMP MOUNT



MECHANICAL DRAWING:

This is subject to change without Notice. Final Drawings Will be Provided for Approval after Order.

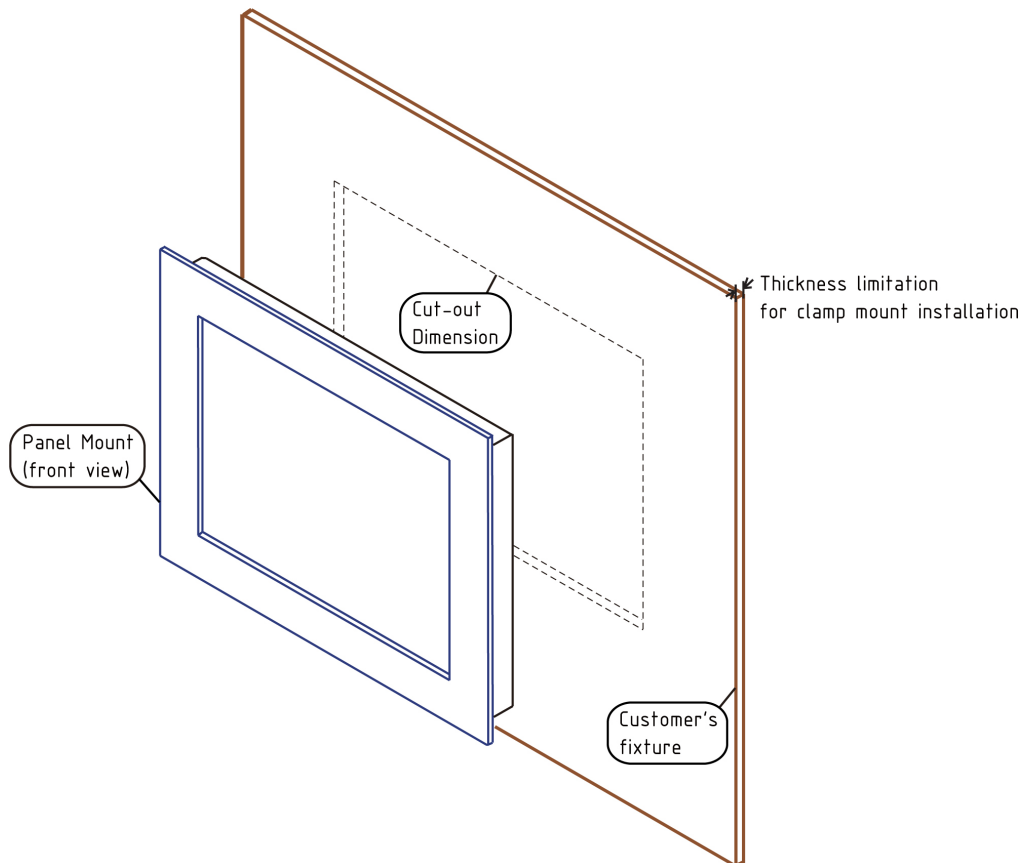
Unit:mm



Drawing No.: YPMW2400PHB2-FOSD-H-10032023-V1

INSTALLATION GUIDE FOR PANEL MOUNT PRODUCT:

You better have at least 2 people to do the installation. One is at the front side of the mounting wall, another is at the back side of the mounting wall.



1. Get the Mechanical Drawing :

You can get the mechanical drawing of your product model from our web site : www.itechlcd.com . If you can't find the correct mechanical drawing, contact your local dealer.

2. Make the cut out :

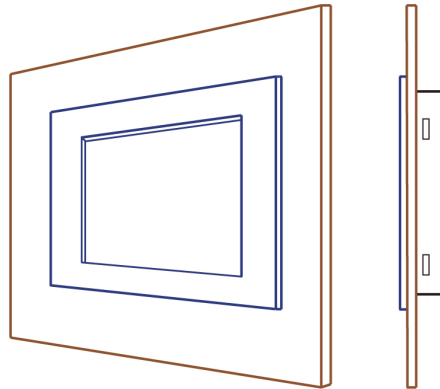
There is the cut out dimension in the Mechanical Drawing. Make sure your cut out meet the cut out dimension requirement. If the cut out is too small, there will be some interference. If the cut out is too big, you can't have the panel mounting securely. Please note that there is thickness limitation of the mounting wall for panel mount installation.

3. Prepare the accessory :

For panel mounting kit installation, you will receive mounting kits and screws together with your unit and you have to prepare the screw driver by yourself. There are at least 2 mounting kits for each side of the panel. The mounting kit and the screw is paired.

4. Installation :

4-1. Put the monitor in the cut out from the front side of the mounting wall. The best way to mount the panel is to align the bottom of the panel housing with the bottom edge of the cut out. This way can help hold the panel steadily.



4-2. At the back side of the mounting wall, insert the mounting kits into the side hole at the side bracket on the panel.

4-3. Put the screw on the mounting kits and screw it tightly.

4-4. Finish all the mounting kits one by one then you can have a secure installation for your Panel Mount product.

