

PANEL MOUNT TRUE FLAT DESIGN

10.1" Panel Mont / True flat design / Front IP65 / 1280x800
500nits / -20~70C VGA+DVI+HDMI input / PCAP Touch
with USB controller / VESA mount

Model: YPMW1010FPCT-WT



FEATURES:

- High contrast color TFT-LCD Monitor support resolution up to 1280*800.
- Power management system conforms to VESA DPMS and EPA Energy Star standards.
- Full consideration for touch screen installation and application.
- Universal Power adapter.
- Support DDC1 & DDC2B for Plug & Play compatibility.
- Advanced OSD control for picture quality adjustment.
- Detachable stand for wall-mounting adjustment.
- Heavy duty monitor with steel frame.

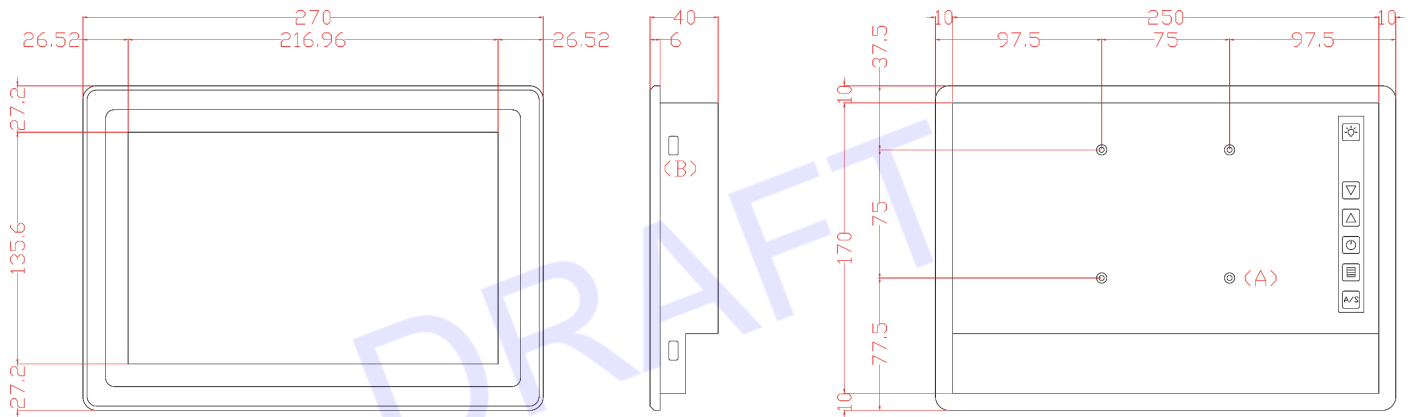
SPECIFICATIONS:

Panel Type	10.1-inch TFT LCD
Screen Diagonal	10.1-inch
Active Display Area (mm)	216.96(H) x 135.6(V)
Pixel Pitch (mm)	0.1695 X 0.1695
Number of Pixels	1280 x 3(RGB) x 800
Contrast Ratio	1300:1
Color Arrangement	R.G.B. Vertical Stripe
Brightness (cd/m ²)	500 cd/m ²
Viewing Angle(Typ.)	85/85/85/85 (R/L/U/D)
Signal Connector	VGA+DVI+HDMI
Power Source	DC12V(+/-10%)
Power Management	VESA DPMS Compliant
Operating Temperature	0 ~ +50 °C
Storage Temperature	-20 ~ +70°C
Plug & Play	VESA DDC 1/2B
Touch Type	Projected Capacitive Touch
Transparency	90%(typ).
Hardness of surface	7H
Linearity	±1.5%(max).

*Specifications subject to change without notice, not responsible for typographical errors.

MECHANICAL DRAWINGS:

This is subject to change without Notice. Final Drawings Will be Provided for Approval after Order.



<A>x4 : M3 SCREW USER HOLE
DP=8.0 MAX SCREW PENETRATION
x4 : PANEL MOUNT USER HOLE

Drawing No.: YPMW1010FPCT-WT-09292022-V1