

SUNLIGHT READABLE PANEL MOUNT LCD

6MM ALUMINUM FRONT BEZEL / FRONT IP65

19" TFT / 1280x1024 / 1500nits-LED / Panel Mount / VESA Mount / VGA+DVI+HDMI
Signal input / AR Coating Glass / Operating temp -30°/+70°C (Fan-Less)
AC 90-264V Power Input



Model: YPM1900HB2-FO

FEATURES:

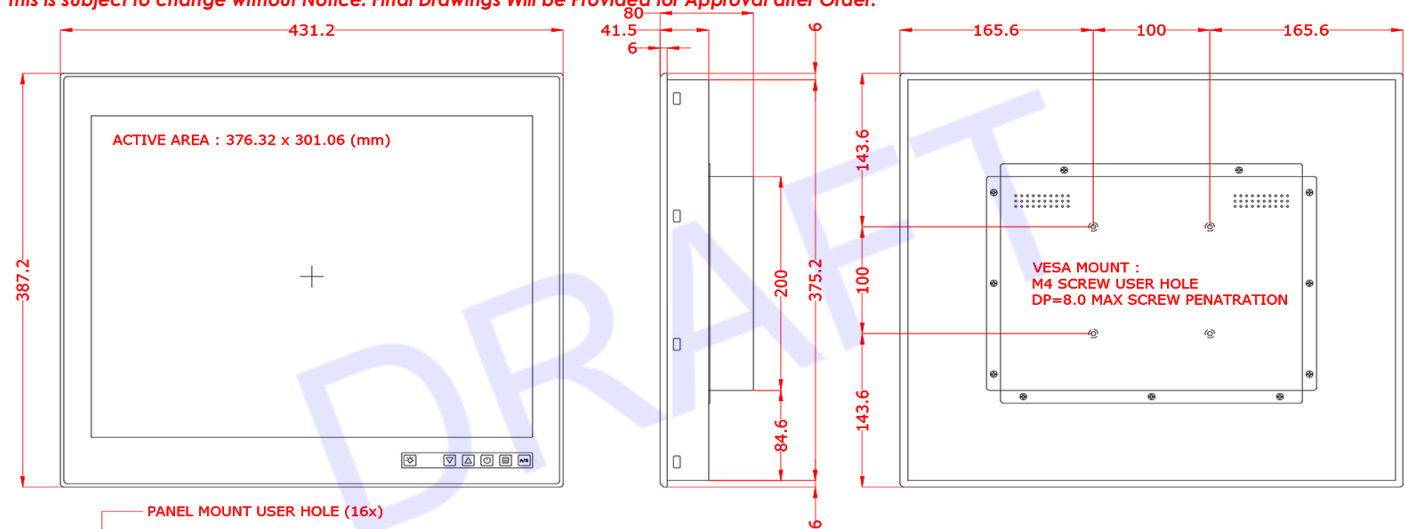
- 19" SXGA TFT LCD with resolution up to 1280x1024.
- 6mm Aluminum Front Bezel
- Front OSD with hot key control brightness
- AR Coating Glass
- Suitable for military, tablet, ruggedized PC, kiosk, advertising, POS, marine, transportation, gaming, gas pump.

SYSTEM SPECIFICATIONS

Display Type	19.0" TFT-LCD
Panel	
Display Color	16.7M colors
Brightness (cd/m ²)	1500nits
Display Resolution (pixel)	SXGA(1280 x 1024)
Viewing Angles (CR≥10)	85/85/80/80
Contrast Ratio	1000 : 1
Backlight Unit	LED
Response Time (msec)	5ms
Environmental	
Temperature	
Operation	-30°C~70°C
Storage	-30°C~70°C

MECHANICAL DRAWING:

This is subject to change without Notice. Final Drawings Will be Provided for Approval after Order.



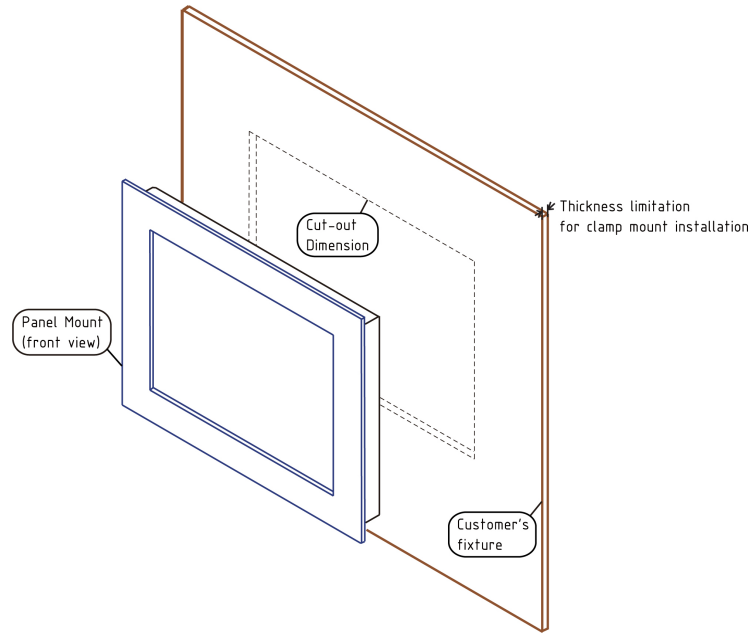
Note :

- (1) Unit : mm
- (2) Unspecified tolerances are +/- 0.5mm.
- (3) Panel Mount CUT-OFF Dimension : 425.2 x 381.2 (mm)

Drawing No.: YPM1900HB2-FO-09062023-V1

INSTALLATION GUIDE FOR PANEL MOUNT PRODUCT:

You better have at least 2 people to do the installation. One is at the front side of the mounting wall, another is at the back side of the mounting wall.



1. Get the Mechanical Drawing :

You can get the mechanical drawing of your product model from our website: www.itechlcd.com . If you can't find the correct mechanical drawing, contact your local dealer.

2. Make the cut out :

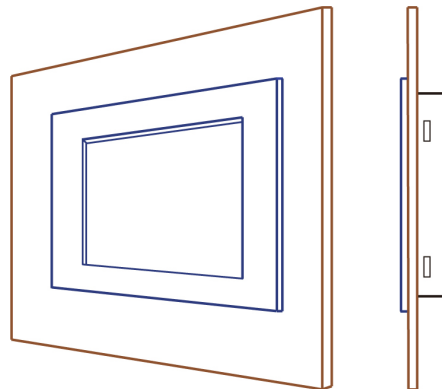
There is the cut out dimension in the Mechanical Drawing. Make sure your cut out meet the cut out dimension requirement. If the cut out is too small, there will be some interference. If the cut out is too big, you can't have the panel mounting securely. Please note that there is thickness limitation of the mounting wall for panel mount installation.

3. Prepare the accessory :

For panel mounting kit installation, you will receive mounting kits and screws together with your unit and you have to prepare the screw driver by yourself. There are at least 2 mounting kits for each side of the panel. The mounting kit and the screw is paired.

4. Installation :

4-1. Put the monitor in the cut out from the front side of the mounting wall. The best way to mount the panel is to align the bottom of the panel housing with the bottom edge of the cut out. This way can help hold the panel steadily.



- 4-2. At the back side of the mounting wall, insert the mounting kits into the slide hole at the side bracket on the panel.
- 4-3. Put the screw on the mounting kits and screw it tightly.
- 4-4. Finish all the mounting kits one by one then you can have a secure installation for your Panel Mount product.

