

SUNLIGHT READABLE IP65/NEMA4 PANEL MOUNT (AL-6MM)

10.4" LCD monitor, 1024x768, 1000nits VGA + DVI + HDMI Input, Back OSD, including rear screw/Clamp/VESA Mount with 4 Wire Resistive Touch Screen and USB Controller, Integrated IP65 Front Panel Mount Al-6mm, operating Temp -30C ~ 80C



Model: YPM1040PWITHB-TR

FEATURES:

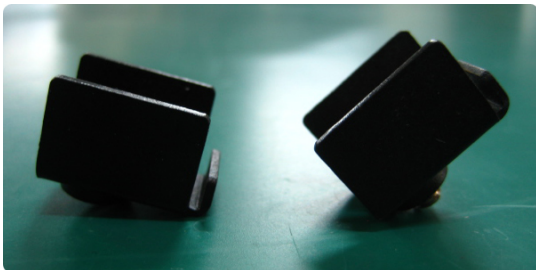
- High contrast color TFT-LCD Monitor support resolution up to 1024*768.
- Power management system conforms to VESA DPMS and EPA Energy Star standards.
- Full consideration for touch screen installation and application.
- Universal Power adapter.
- Support DDC1 & DDC2B for Plug & Play compatibility.
- Advanced OSD control for picture quality adjustment.
- Heavy duty monitor with steel frame.
- Custom design by request.

SPECIFICATIONS:

Panel Type	10.4-inch TFT LCD
Screen Diagonal	10.4-inch
Active Display Area (mm)	210.43 (H) x 157.82 (V)
Pixel Pitch (mm)	0.2055 x 0.2055
Number of Pixels	1024 x 3(RGB) x 768
Contrast Ratio	3000:1
Display Color	16.2M / 262K colors
Brightness (cd/m)	1000 cd/m (Without touch screen)
Viewing Angle(Typ.)	89 / 89 / 89 / 89 (R/L/U/D)
Signal Connector	15 PIN D-Sub,DVI-D,HDMI
Power Source	DC +12V(+/-10%)
Power Management	VESA DPMS Compliant
Operating Temperature	-30 ~ +80°C
Storage Temperature	-30 ~ +80°C
Plug & Play	VESA DDC 1/2B
Touch Type	4-Wire Resistive Touch Screen (USB Interface)
Transparency	> 80% (typ.)
Hardness of surface	3H
Linearity	±1.5%(max.)
IP Code	IP65 (Front Side)

**Specifications subject to change without notice, not responsible for typographical errors.*

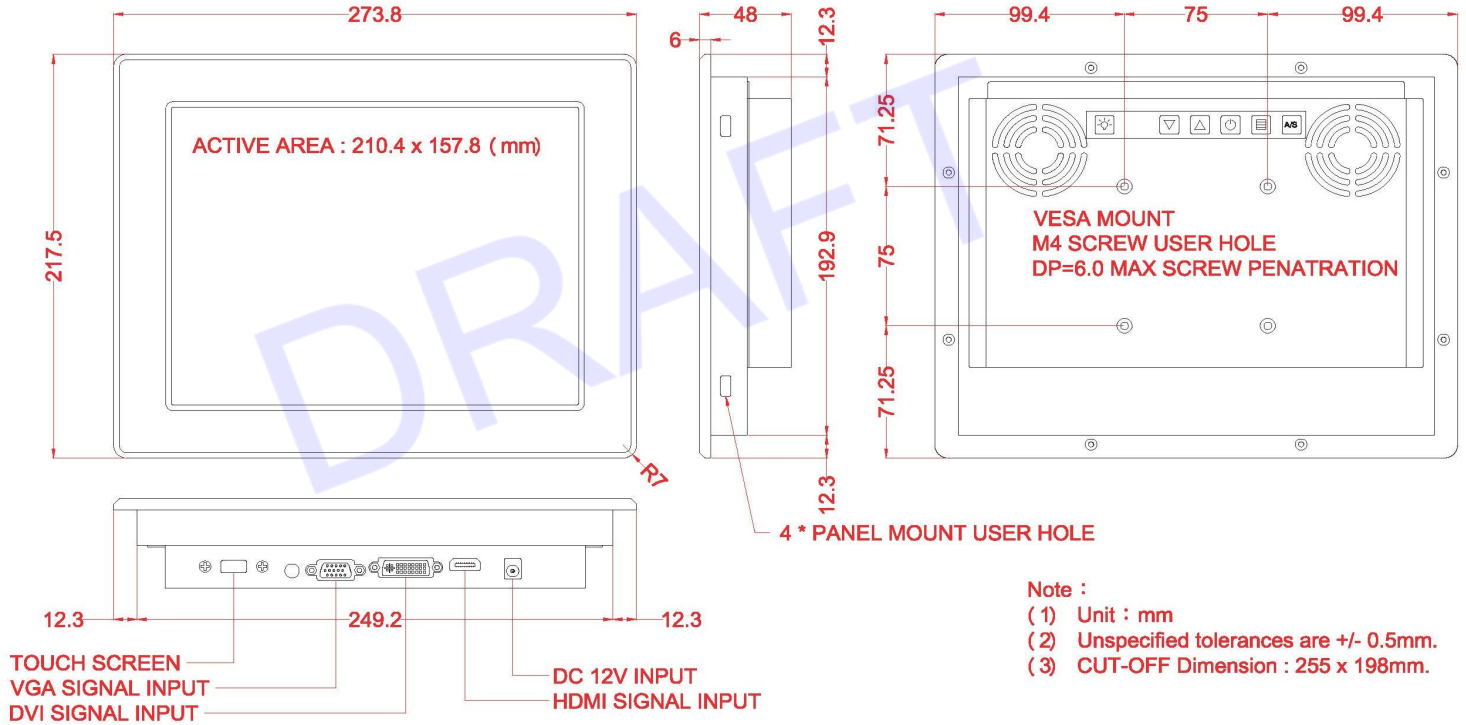
CLAMP MOUNT



MECHANICAL DRAWING:

This is subject to change without Notice. Final Drawings Will be Provided for Approval after Order.

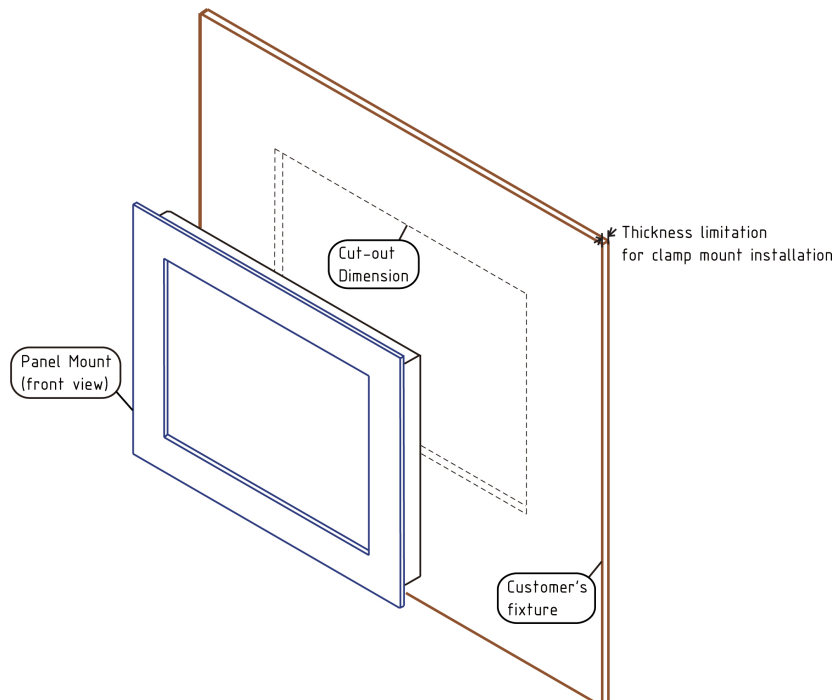
Unit:mm



Drawing No.: YPM1040PWTHB-TR-06272023-V1

INSTALLATION GUIDE FOR PANEL MOUNT PRODUCT:

You better have at least 2 people to do the installation. One is at the front side of the mounting wall, another is at the back side of the mounting wall.



1. Get the Mechanical Drawing :

You can get the mechanical drawing of your product model from our web site : www.itechlcd.com . If you can't find the correct mechanical drawing, contact your local dealer.

2. Make the cut out :

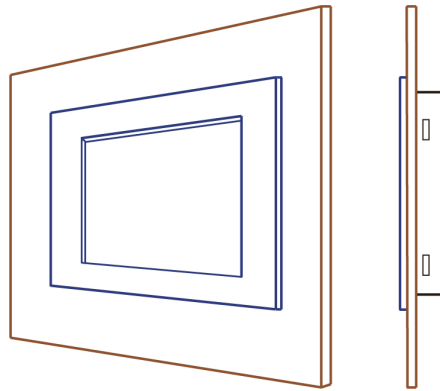
There is the cut out dimension in the Mechanical Drawing. Make sure your cut out meet the cut out dimension requirement. If the cut out is too small, there will be some interference. If the cut out is too big, you can't have the panel mounting securely. Please note that there is thickness limitation of the mounting wall for panel mount installation.

3. Prepare the accessory :

For panel mounting kit installation, you will receive mounting kits and screws together with your unit and you have to prepare the screw driver by yourself. There are at least 2 mounting kits for each side of the panel. The mounting kit and the screw is paired.

4. Installation :

4-1. Put the monitor in the cut out from the front side of the mounting wall. The best way to mount the panel is to align the bottom of the panel housing with the bottom edge of the cut out. This way can help hold the panel steadily.



- 4-2. At the back side of the mounting wall, insert the mounting kits into the slide hole at the side bracket on the panel.
- 4-3. Put the screw on the mounting kits and screw it tightly.
- 4-4. Finish all the mounting kits one by one then you can have a secure installation for your Panel Mount product.

