

Sunlight Readable Open Frame High Brightness LCD

17.3" Open Frame, 1920x1080, 1500nits, VGA+DVI+HDMI Signal Input
 External OSD, Hot key adjust brightness (Press and hold the button to quickly adjust the brightness) Aluminum housing



1500nits

Model: YOPW1730HB2-A1

FEATURES:

- Sunlight Readable.
- 17.3" Full-HD TFT LCD with resolution upto 1920x1080.
- Suitable for military, tablet, ruggedized PC, kiosk, advertising, POS, marline, transportation, gaming, gas pump.

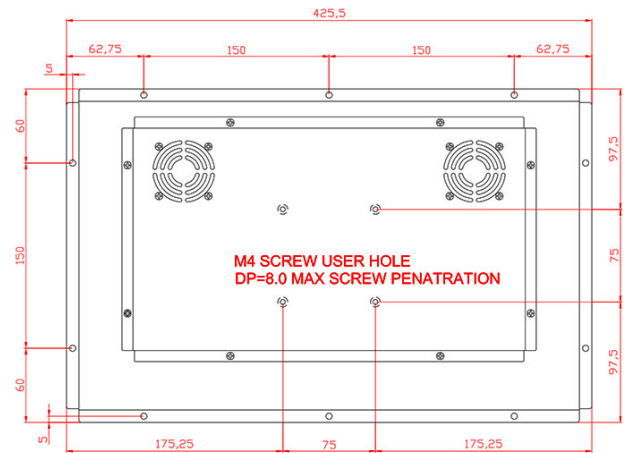
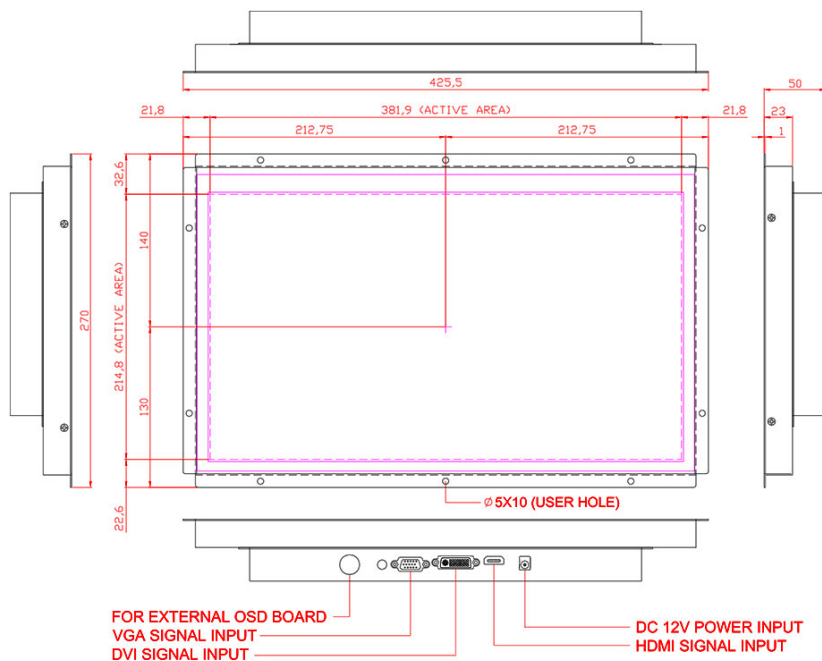
SYSTEM SPECIFICATIONS

Brightness (cd/m ²)	1500
Display Resolution (pixel)	Full-HD(1920 x 1080)
Display Color	16.7M colors
Viewing Angles (CR≥10)	85/85/80/80
Contrast Ratio	1000 : 1
Response Time (msec)	5ms
Backlight Unit	LED
Temperature	
Operation	0°C~+50°C
Storage	-20°C~+60°C
Optional	Touch, Glass

**Specifications subject to change without notice, not responsible for typographical errors.*

MECHANICAL DRAWINGS:

This is subject to change without Notice. Final Drawings Will be Provided for Approval after Order.



Note :
 (1) Unit : mm
 (2) Unspecified tolerances are +/- 0.5mm.

Drawing No.: YOPW1730HB2-A1-04062022-V1