

Sunlight Readable Open Frame High Brightness LCD

Open Frame, 17.3" LCD Monitor 1920x1080, 1000nits LED
 VGA + DP + HDMI Input, Side OSD and Built-in Power Supply 110/220V
 26 watts with 5 Wire Resistive Touch Screen and USB Controller



1000 nits

MODEL: YOPW1730HB-TR-DA10

FEATURES:

- Sunlight Readable.
- 17.3" Full-HD TFT LCD with resolution up to 1920x1080.
- Suitable for military, tablet, ruggedized PC, kiosk, advertising, POS, marine, transportation, gaming, gas pump.

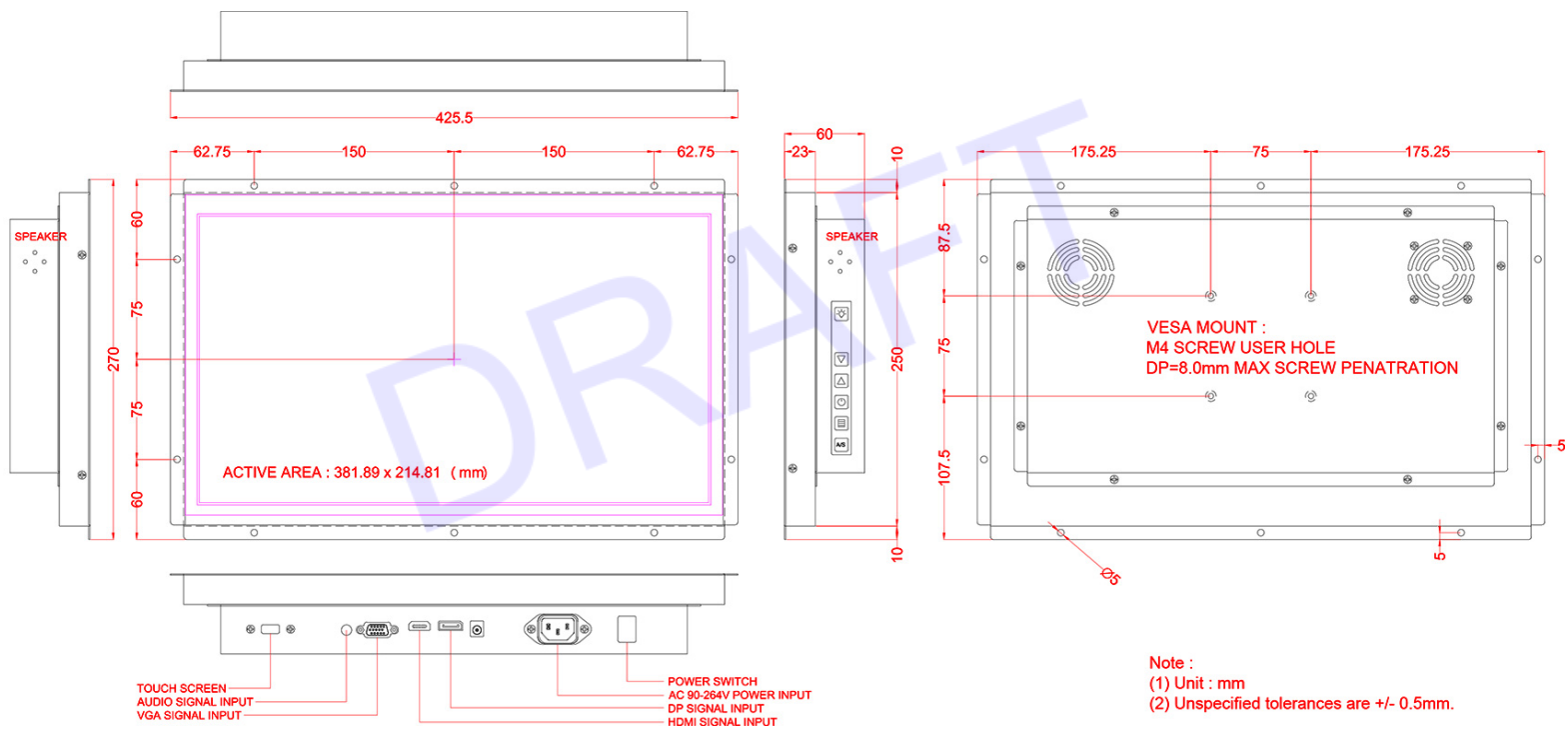
SYSTEM SPECIFICATIONS

Brightness (cd/m ²)	1000
Display Resolution (pixel)	Full-HD(1920 x 1080)
Display Color	16.7M colors
Viewing Angles (CR≥10)	80/80/80/60
Contrast Ratio	600 : 1
Response Time (msec)	40ms
Backlight Unit	LED
Temperature	
Operation	0°C~+70°C
Storage	-20°C~+70°C
Optional	Touch, Glass

**Specifications subject to change without notice, not responsible for typographical errors.*

MECHANICAL DRAWINGS:

This is subject to change without Notice. Final Drawings Will be Provided for Approval after Order.



Drawing No.: YOPW1730HB-TR-DA10-04122023-V1



i-Tech Company LLC
 EMAIL: info@itechlcd.com • WEB: www.iTechLCD.com

Modified: 04-17-2023