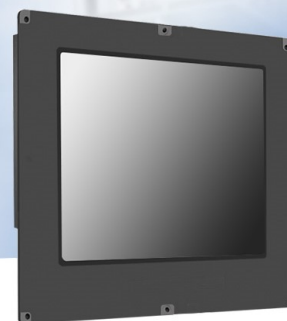


6MM FRONT ALUMINUM BEZEL FLUSH MOUNT LCD

Panel Mount / 21.3" TFT / 1600x1200 / 4:3 / 500nits LED / 1800:1 / 16.8 million colors / VGA+DVI+HDMI signal input / Operating Temp : 0 to 50C / AC 90~264V Power Input / Power consumption : 36 Watts

Model: YFM2130



FEATURES:

- Sunlight Readable.
- 21.3" Full-HD TFT LCD with resolution up to 1600x1200.
- Suitable for military, tablet, ruggedized PC, kiosk, advertising, POS, marine, transportation, gaming, gas pump.

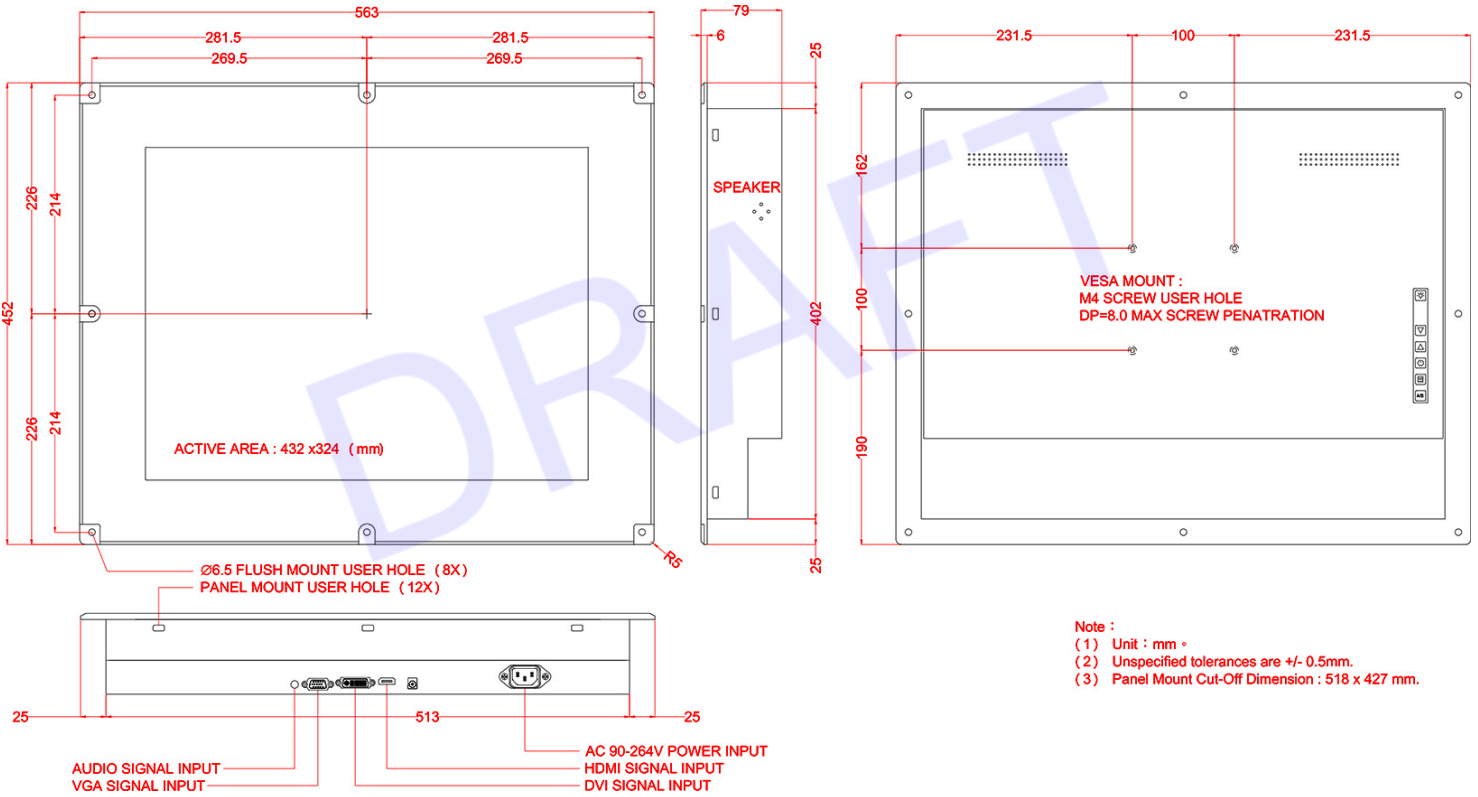
SPECIFICATIONS

Active Area	432x324mm
Pixels H x V	1600x1200
Pixel Arrangement	R.G.B. Vertical Stripe
Display Mode	TN Mode. Normally White
White Luminance	500 cd/m ²
Contrast Ratio	1800 : 1 (Typ)
Optical Response Time	5 ms(Typ, on/off) msec
Power Input	AC 90~264V
Signal Input	VGA+DVI+HDMI
Surface Treatment	Anti-Glare, 3H
Support Color	16.8M colors (RGB 6-bit data + HiFRC data)
Temperature Range Operating	0°C ~ 50 °C
Storage (Non-Operating)	-20°C ~ 60 °C
RoHS Compliance	RoHS Compliance

**Specifications subject to change without notice, not responsible for typographical errors.*

MECHANICAL DRAWINGS:

This is subject to change without Notice. Final Drawings Will be Provided for Approval after Order.



Drawing No.: YFM2130-06022023-V1