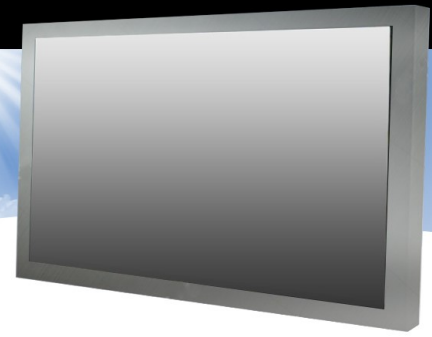


INDUSTRIAL ALUMINUM HOUSING CHASSIS LCD MONITOR

21.5" Chassis LCD Monitor / 1920x1080 / 250nits LED
VGA+DVI+HDMI signal input / AC 90~264V Power Input
+ Aluminum Housing Max 3.9kg



Model: YCHW2150V2A

FEATURES:

- 21.5" Full-HD TFT LCD with resolution up to 1920x1080.
- VGA + HDMI + DVI
- AC 90~264V Power Input
- Aluminum housing Max 3.9kg
- Suitable for military, tablet, ruggedized PC, kiosk, advertising, POS, marine, transportation, gaming, gas pump.

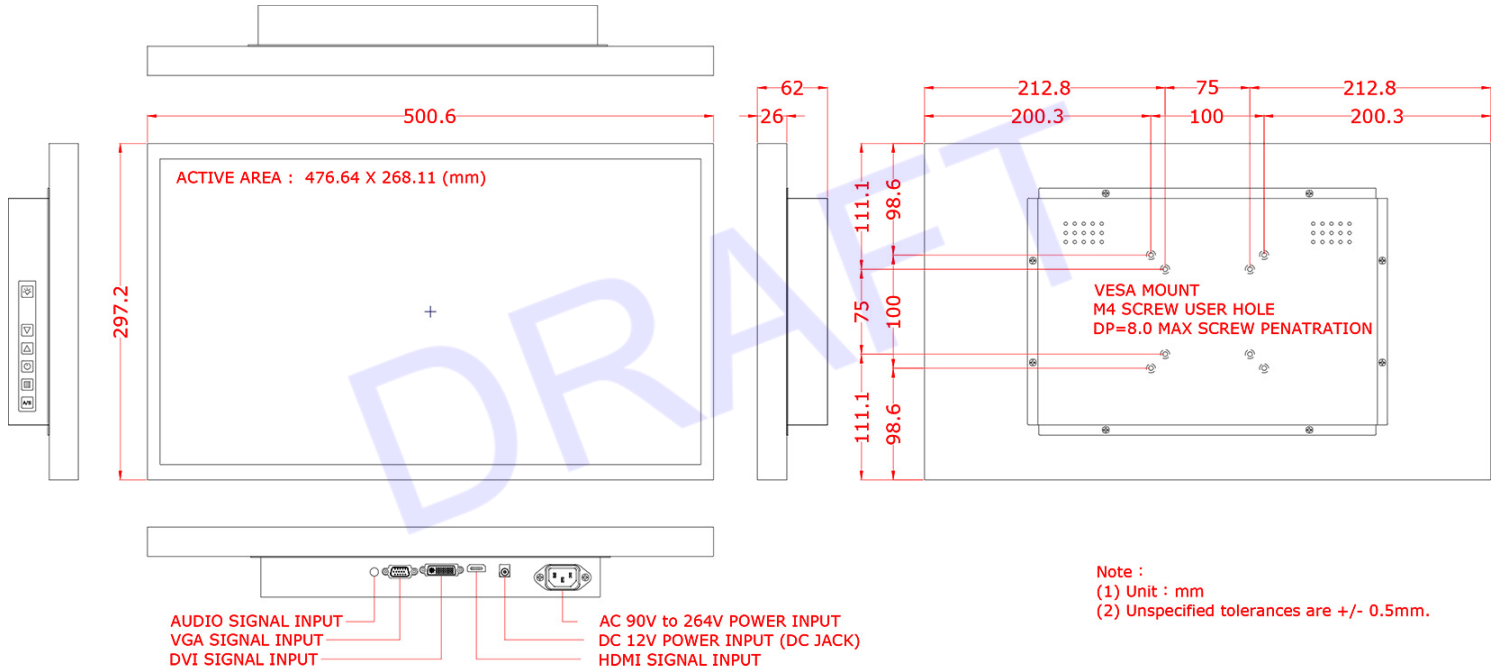
SYSTEM SPECIFICATIONS

Brightness (cd/m ²)	250nits
Display Resolution (pixel)	Full-HD(1920 x 1080)
Active Area	476.64x268.11 (mm)
Display Color	16.7M colors
Viewing Angles (CR≥10)	89/89/89/89
Contrast Ratio	5000 : 1
Response Time (msec)	25ms
Backlight Unit	LED
Temperature	
Operation	0°C~+60°C
Power Supply	AC 90~264V Power Input

**Specifications subject to change without notice, not responsible for typographical errors.*

MECHANICAL DRAWING:

This is subject to change without Notice. Final Drawings Will be Provided for Approval after Order.



Drawing No.: YCHW2150V2A-05172024-V1