

INDUSTRIAL CHASSIS/SURFACE MOUNT METAL HOUSING

19.0" LCD 1280*1024, 1000nits, 1000:1
with VGA input Power Consumption 30 Watts
Optional Table Stand or Bracket (for Rear Mount)



Model: YCHR1900-T-3D01

FEATURES:

- 19.0" SXGA TFT LCD with resolution up to 1280x1024.
- Suitable for military, tablet, ruggedized PC, kiosk, advertising, POS, marine, transportation, gaming, gas pump.

SYSTEM SPECIFICATIONS

Display Type	19.0" TFT-LCD
Panel	
- Display Color	16.7M colors
- Brightness	1000nits
- Resolution	SXGA(1280 x 1024)
- Contrast Ratio	1000 : 1
- Backlight Unit	LED
- Viewing Angle(R/L/U/D)	85/85/80/80
- Response Time(Tr+Tf)	10ms
Environmental	
- Temperature	
Operation	-30°C~85°C
Storage	-30°C~85°C
Optional	Touch, Glass

Note: Fanless: Brightness < 1000 nits;
Add fan: Brightness ≥ 1000 nits.

Touch Screen (Optional)	Signal Input	Color	Other
No touch screen or glass	VGA Only	Black	N/A
Glass	VGA+DVI-D+HDMI		Bracket (rear mount)
Resistive, RS232			Stand
Resistive, USB			

**Specifications subject to change without notice, not responsible for typographical errors.*

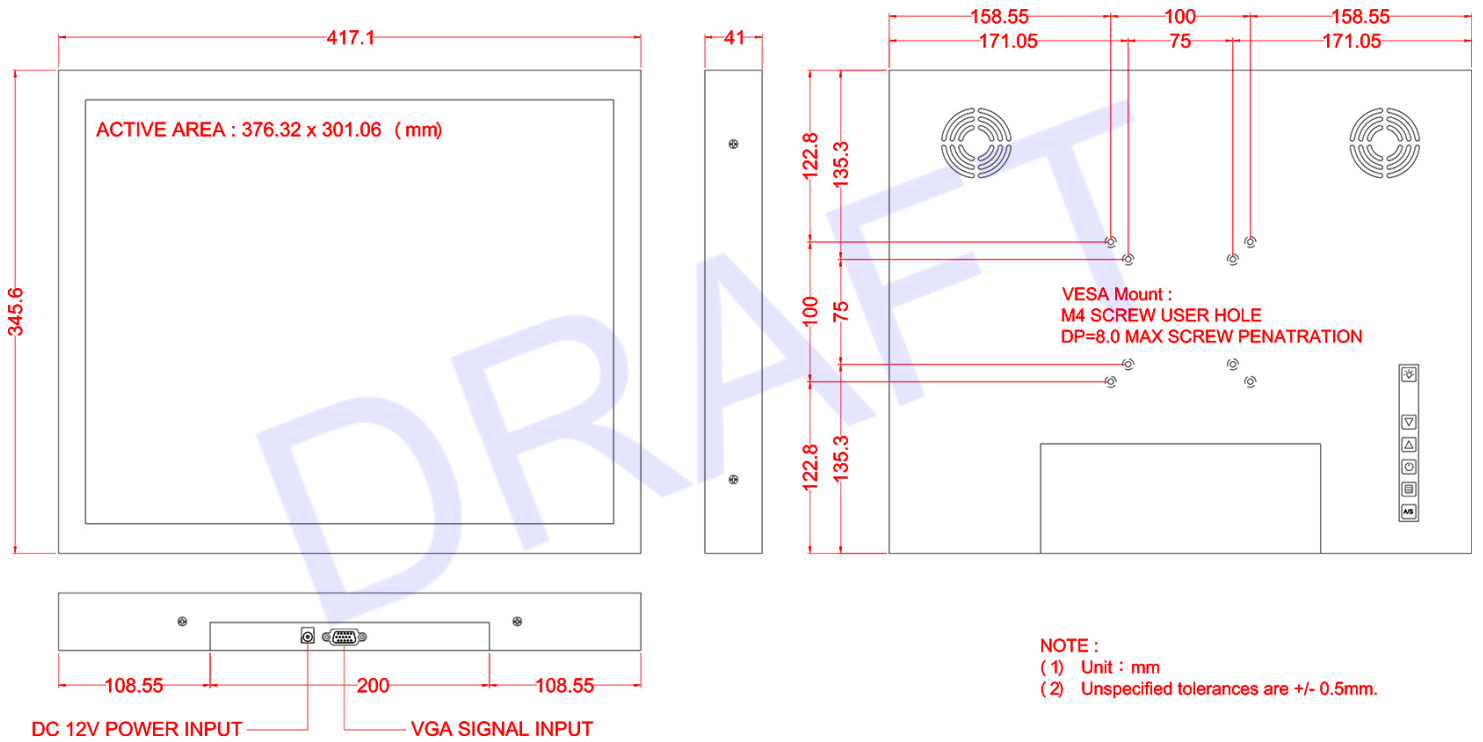
STAND SPECIFICATIONS

Applicable Display	Monitor with VESA Standard Holes
VESA Standard	MIS-D
Max. Display Weight	10.0 kg (22.0 lbs)
Standard Color	Black
Cable Manager	Yes



DIMENSIONS:

This is subject to change without Notice. Final Drawings Will be Provided for Approval after Order.



Drawing No.: YCHR1900-T-3D01-05302023-V1

STAND DIMENSIONS:

