

# SUNLIGHT READABLE CHASSIS MOUNT/VESA MOUNT METAL HOUSING

19" Industrial LCD 1280\*1024 1500nits 1000:1 with VGA + DVI + HDMI Input  
(cable holder for cable not coming, customer can just use cable tie)  
Power Consumption is 42W, DC 9-36 V input (big strong green connectors)  
**Operating/ Storage Temp: -30°C ~ 70°C**



## Model: YCH1900HB2WT-DC

### FEATURES:

- Sunlight Readable.
- LED Backlight.
- 19" TFT LCD with resolution up to 1280x1024
- Suitable for military, tablet, ruggedized PC, kiosk, advertising, POS, marine, transportation, gaming, gas pump.

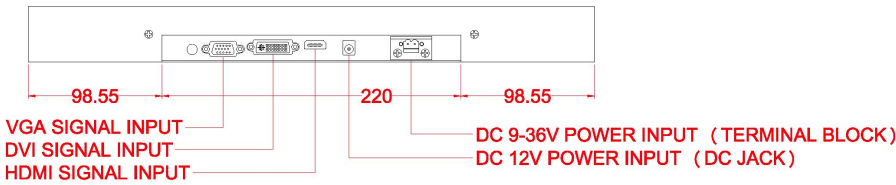
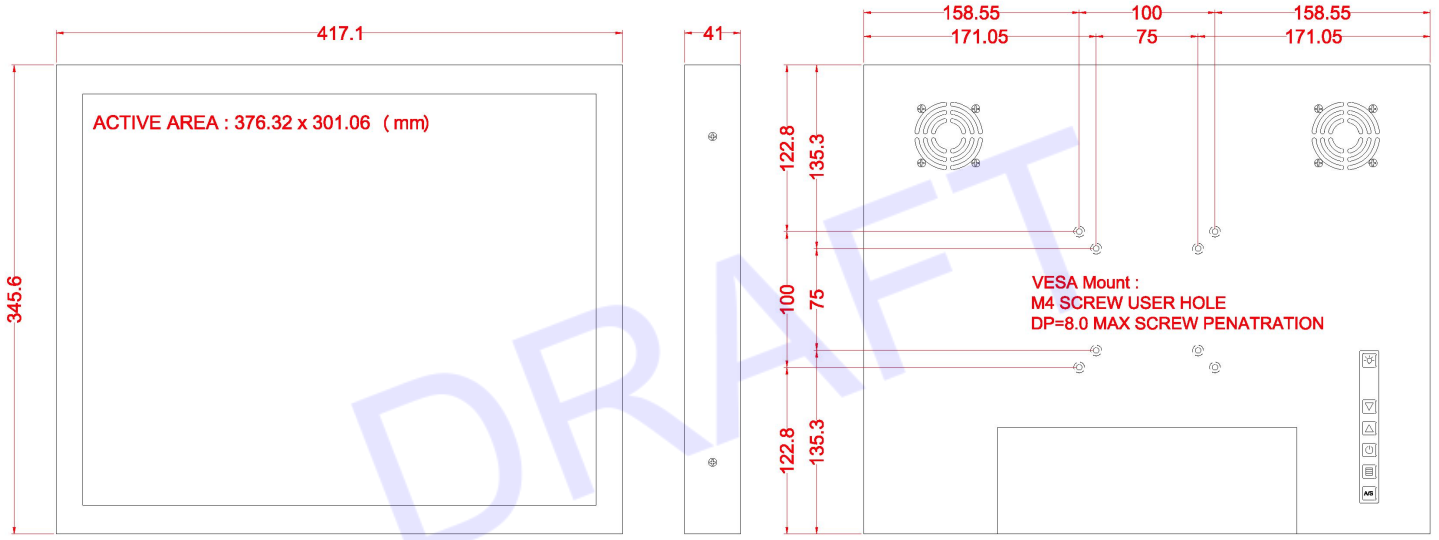
### SYSTEM SPECIFICATIONS

Screen Diagonal	482.6 (19")
Active Area	376.32 (H) x 301.06 (V)
Pixels H x V	1280(x3) x 1024
Pixel Pitch	0.294 (per one triad) x 0.294
Pixel Arrangement	R.G.B. Vertical Stripe
Display Mode	Normally White
Brightness	1500nits
Contrast Ratio	1000 : 1 (Typ)
Viewing Angle	85/85/80/80
Signal Input	VGA, DVI, HDMI
Optical Response Time	10 ms(Typ, on/off)
Power Consumption	42W (Typ)
Support Color	16.7M colors (RGB 6-bit + Hi_FRC)
<b>Temperature Range</b>	
Operating Storage	-30°C ~ +70°C
(Non-Operating)	-30°C ~ +70°C
RoHS Compliance	RoHS Compliance

*\*Specifications subject to change without notice, not responsible for typographical errors.*

# MECHANICAL DRAWINGS:

This is subject to change without Notice. Final Drawings Will be Provided for Approval after Order.



NOTE :  
(1) Unit : mm  
(2) Unspecified tolerances are +/- 0.5mm.

Drawing No.: YCH1900HB2WT-DC-08022023-V1