

8U RACKMOUNT LCD: 3MM METAL FRONT BEZEL

8U Rackmount LCD (3mm Metal Front Bezel), 17.3" LCD monitor, 1920 x 1080, LED, 200 nits
VGA + DVI Input, Front OSD and Handle, VESA Mounting & Built in Power Supply +
with FCAP Capacitive 2-points Touch (Front On/Off Button for Touch) and USB Controller



High-Brightness
200nits

50,000 Hrs
Long Lifetime

Resolution
1920x1080



Model: ERMW1730HD-PCT-OF

FEATURES HIGHLIGHTS:

- Modularize mechanical design provides flexible product configuration and easy maintenance
- Optional build-in touch screen for interactive application
- Available with auto-brightness sensor offers application in day and night
- VGA connector with optional AV.SV.AV-Looping
- Complete custom design/solution for OEM customers

SPECIFICATIONS:

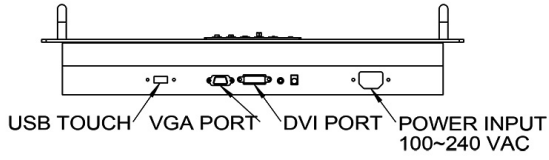
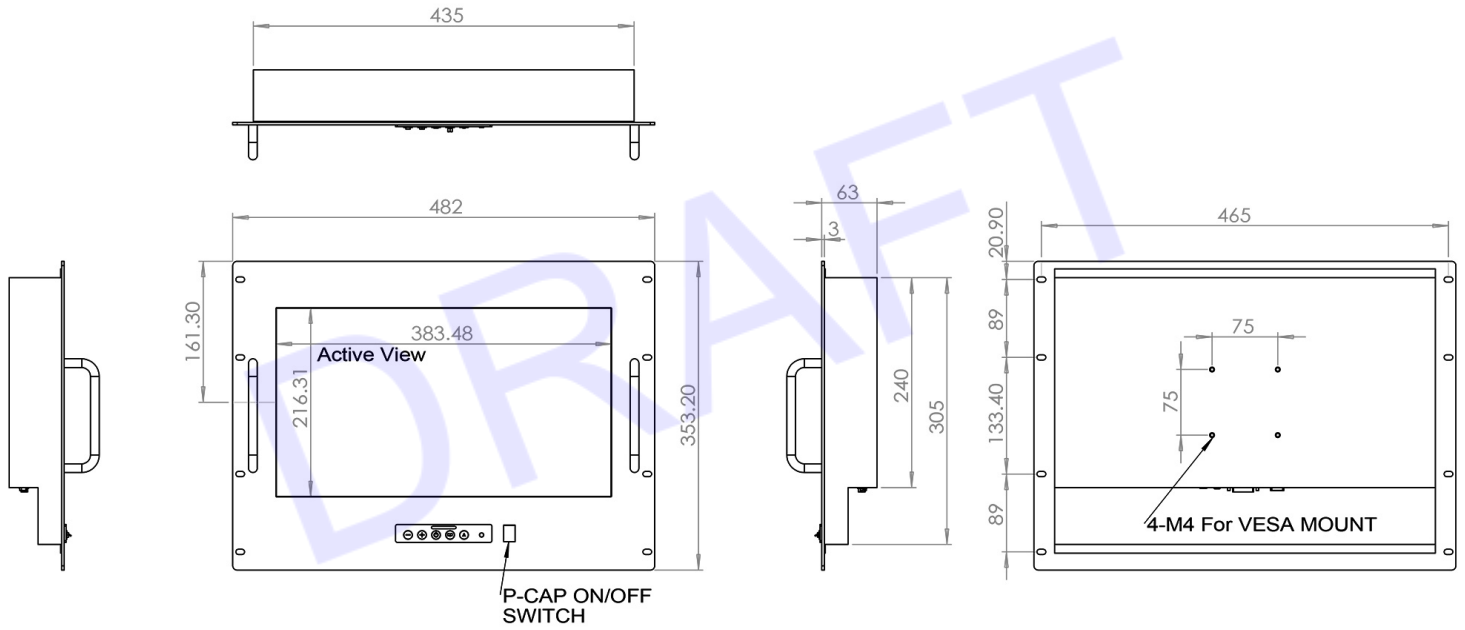
| | | | |
|----------------------------|---|---|---|
| Panel | Cell Type / Glass Surface | TFT LCD / Black Anti-Glare, low reflection coating | |
| | Aspect Ratio / Size | Wide / 17.3" viewable diagonal area | |
| | Active Area / Pixel Pitch | 383.48(H) x 216.31 (V) mm / 0.255(H) x 0.255(V) mm | |
| | Native Resolution / Colors | 1920(H) x 1080(V) / 262 K | |
| | Brightness / Contrast | 200 cd/m ² (typ) / 600 : 1 | |
| | Response Time | ≤ 16 ms | |
| | Viewing Angle (typical) | H.130° (- 65° ~ + 65°) , V. 100° (- 50° ~ + 50°) | |
| | Light Source | LED backlight, Long life, 50,000 hrs (typ) | |
| Input Sources | PC System | Signal | Analog RGB (0.7/1.0 V _{p-p} , 75 ohms) |
| | | Sync | Separate Sync, Composite Sync, Sync On Green |
| | | Frequency | F _h : 30 - 82Khz , F _v : 50 -75Hz |
| | Audio System | Without Speaker | |
| Input Terminals | VGA + DVI | | |
| Convenient Features | Auto Calibration , Back Light Adjustment , Plug&Play (VESA DDC/CI, DDC 2B) | | |
| | OSD Multi-Languages , Wall Mount Ready (VESA Dimension - please refer to Drawing) | | |
| Power | Internal power supply with universal / Auto-Sensing, AC90 to 260V, 50/60 Hz | | |
| Power Consumption | Operation / Power Saving | 14.15 watt , < 1 watt (Support DPMS) | |
| Operating Condition | Temperature / Humidity | 0°C ~ 50°C (32°F ~ 122°F) , 10% ~ 90% (no condensation) | |
| Storage Condition | Temperature / Humidity | - 20°C ~ 60°C (- 4°F ~ 140°F) , 10% ~ 90% (no condensation) | |
| Certification | FCC , CE | | |
| Dimensions | Physical | Please refer to Drawing | |
| | Carton | W x H x D = TBD | |
| Weight | N.W. / G.W. | 4.5 Kgs / 5.5 Kgs | |
| Container Loaded | 20ft / 40ft / 40ft HQ | TBD (Sets , By pallet) | |

| Options | Touch | Video / TV | Enhanced Panel | Others |
|---------|------------------|----------------------|--------------------------|------------------------------|
| | Resistive touch | SV + AV | Panel with LED backlight | Digital Signage(Stand alone) |
| | Capacitive touch | SV + AV + AV_Looping | High brightness panel | Networking Digital Signage |
| | SAW touch | SV + AV + TV | Wide Temperature | Motion Sensor |
| | Infrared touch | | Sunlight Readable | Light Sensor |
| | Protected glass | | | Auto-Dimming |

*Specifications subject to change without notice, not responsible for typographical errors.

MECHANICAL DRAWING:

This is subject to change without Notice. Final Drawings Will be Provided for Approval after Order.



Drawing No.: ERMW1730HD-PCT-OF-04122022-V1

