

DUAL DISPLAY RACKMOUNT MONITOR

7" Dual Display Rack mount Monitor
800x480, LED 1000 nits, VGA input
Wide View Angle and Wide Temperature

MODEL: ERM2DW700AHB



FEATURES HIGHLIGHTS:

- Modularize mechanical design provides flexible product configuration and easy maintenance
- Optional build-in touch screen for interactive application
- Available with auto-brightness sensor offers application in day and night
- VGA connector with optional AV.SV.AV-Looping
- Complete custom design/solution for OEM customers
- Auto Power On: Monitor is always "ON" when connect to power.
- Auto Video Signal On: Monitor (Backlight) will turn off when no video signal, but it will Auto turn back on.

SPECIFICATIONS:

| | | | |
|----------------------------|--|--|---|
| Panel | Cell Type / Glass Surface | TFT LCD / Black Anti-Glare, low reflection coating | |
| | Aspect Ratio / Size | Wide / 7" viewable diagonal area | |
| | Active Area / Pixel Pitch | 152.40(H) x 91.44(V) mm/0.1905(H) x 0.1905(V) mm | |
| | Native Resolution / Colors | 800(H) x 480(V) / 262 K | |
| | Brightness / Contrast | 1000 cd/m ² (typ) / 700 : 1 | |
| | Response Time | <30 ms | |
| | Viewing Angle (typical) | H. 160°(-80°~ + 80°) , V. 160°(-80°~ + 80°) | |
| | Light Source | LED backlight, Long life, 35,000 hrs (typ) | |
| Input Sources | PC System | Signal | Analog RGB (0.7/1.0 V _{p-p} , 75 ohms) |
| | | Sync | Separate Sync, Composite Sync, Sync On Green |
| | | Frequency | F _h : 30 - 82Khz , F _v : 50 -75Hz |
| | Audio System | Optional | |
| Input Terminals | 1 x VGA (15 Pin Female D-Sub), 1 x PC Audio (Stereo Headphone Jack), 1 x DC Power Plug | | |
| Convenient Features | Auto Calibration , Back Light Adjustment, Plug&Play (VESADDC/CI, DDC 2B) | | |
| | OSD Multi-Languages , Wall Mount Ready (VESA Dimension - please refer to Drawing) | | |
| Power | 12V DC in | | |
| Power Consumption | Operation / Power Saving | 10 watt , < 2 watt (Support DPMS) | |
| Operating Condition | Temperature / Humidity | -30°C ~ 80°C (-22°F ~ 176°F) , 10% ~ 90% (no condensation) | |
| Storage Condition | Temperature / Humidity | -30°C ~ 80°C (-22°F ~ 176°F) , 10% ~ 90% (no condensation) | |
| Certification | FCC,CE | | |
| Dimensions | Physical | Please refer to Drawing | |
| | Carton | WxHxD=TBD | |
| Weight | N.W./G.W. | 3 Kgs/4 Kgs | |
| Container Loaded | 20ft / 40ft / 40ft HQ | TBD (Sets , By pallet) | |

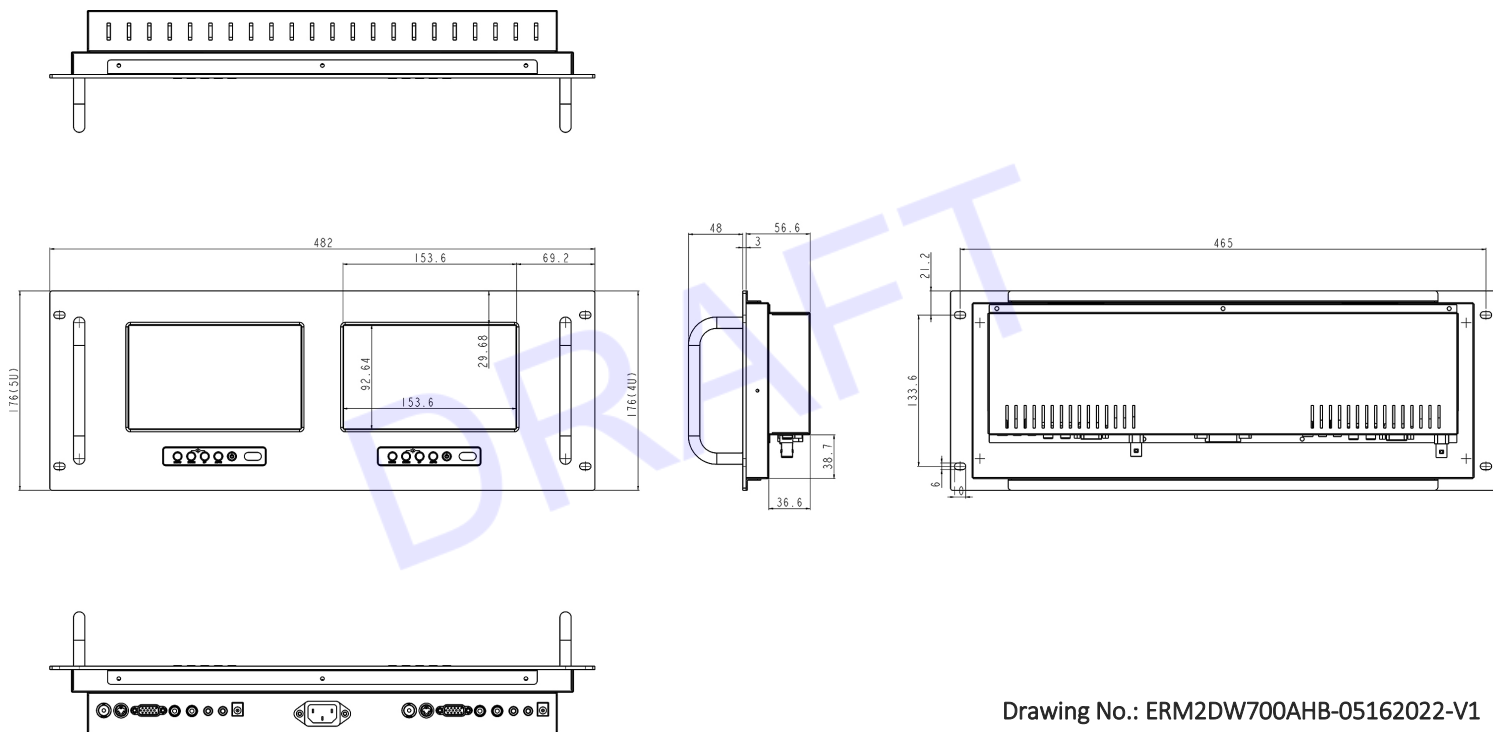
| Options | Touch | Video/TV | Enhanced Panel | Others |
|---------|------------------|----------------------|--------------------------|------------------------------|
| | Resistive touch | SV + AV | Panel with LED backlight | Digital Signage(Stand alone) |
| | Capacitive touch | SV + AV + AV Looping | High brightness panel | Networking Digital Signage |
| | SAW touch | SV + AV + TV | Wide Temperature | Motion Sensor |
| | Infrared touch | | Sunlight Readable | Light Sensor |
| | Protected glass | | | Auto-Dimming |

*Specifications subject to change without notice, not responsible for typographical errors.

Modified: 05-16-2022

MECHANICAL DRAWING:

This is subject to change without Notice. Final Drawings Will be Provided for Approval after Order.



Drawing No.: ERM2DW700AHB-05162022-V1