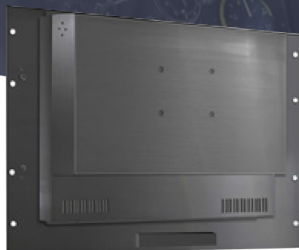


# 9U RACKMOUNT LCD (3MM METAL FRONT BEZEL)

Rack Mount, 20.1" LCD monitor, 1600x1200, CCFL-300nits, VGA, AC-IN w/Built-in PWR and 5-wire resistive touch. (USB/RS232 both interface)

**MODEL: ERM2010B-TR-SB**



## FEATURES HIGHLIGHTS:

- Modularize mechanical design provides flexible product configuration and easy maintenance
- 5-wire resistive touch
- Available with auto-brightness sensor offers application in day and night
- VGA connector with optional AV,SV,AV-Looping
- USB/RS232 both interface
- Auto Power On: Monitor is always "ON" when connect to power.
- Auto Video Signal On: Monitor (Backlight) will turn off when no video signal, but it will Auto turn back on.
- Complete custom design/solution for OEM customers

## SPECIFICATIONS:

<b>Panel</b>	Cell Type / Glass Surface	TFT LCD / Black Anti-Glare, low reflection coating	
	Aspect Ratio / Size	Wide /20.1" viewable diagonal area	
	Active Area / Pixel Pitch	304.8(H) x 228.6(V) mm / 0.1905(H) x 0.1905(V) mm	
	Native Resolution / Colors	1600(H) x1200(V)/16.2 M	
	Brightness / Contrast	300 cd/m <sup>2</sup> (typ) / 1000 : 1	
	Response Time	<20 ms	
	Viewing Angle (typical)	H.178°(-89°~ + 89°) , V. 178°(- 89° ~ + 89°)	
	Light Source	CCFL backlight, Long life, 30,000 hrs (typ)	
<b>Input Sources</b>	PC System	Signal	Analog RGB (0.7/1.0 V <sub>p-p</sub> , 75 ohms)
		Sync	Separate Sync, Composite Sync, Sync On Green
		Frequency	F <sub>h</sub> : 30 - 82Khz , F <sub>v</sub> : 50 -75Hz
	Audio System	2W speaker x 2	
<b>Input Terminals</b>	VGA USB AND SERIAL BOTH TOUCH Controller		
<b>Convenient Features</b>	Auto Calibration , Back Light Adjustment, Plug&Play (VESADDC/CI, DDC 2B)		
	OSD Multi-Languages , Wall Mount Ready (VESA Dimension - please refer to Drawing)		
<b>Power</b>	AC-IN w/Built-in PWR		
<b>Power Consumption</b>	Operation / Power Saving	13.4 watt, < 1 watt (Support DPMS)	
<b>Operating Condition</b>	Temperature / Humidity	0°C ~ 50°C (32°F ~ 122°F), 10% ~ 90% (no condensation)	
<b>Storage Condition</b>	Temperature / Humidity	- 20°C ~ 60°C (- 4°F ~ 140°F), 10% ~ 90% (no condensation)	
<b>Certification</b>	FCC,CE		
<b>Dimensions</b>	Physical	Please refer to Drawing	
	Carton	WxHxD=TBD	
<b>Weight</b>	N.W/G.W	TBD	
<b>Container Loaded</b>	20ft / 40ft / 40ft HQ	TBD (Sets , By pallet)	

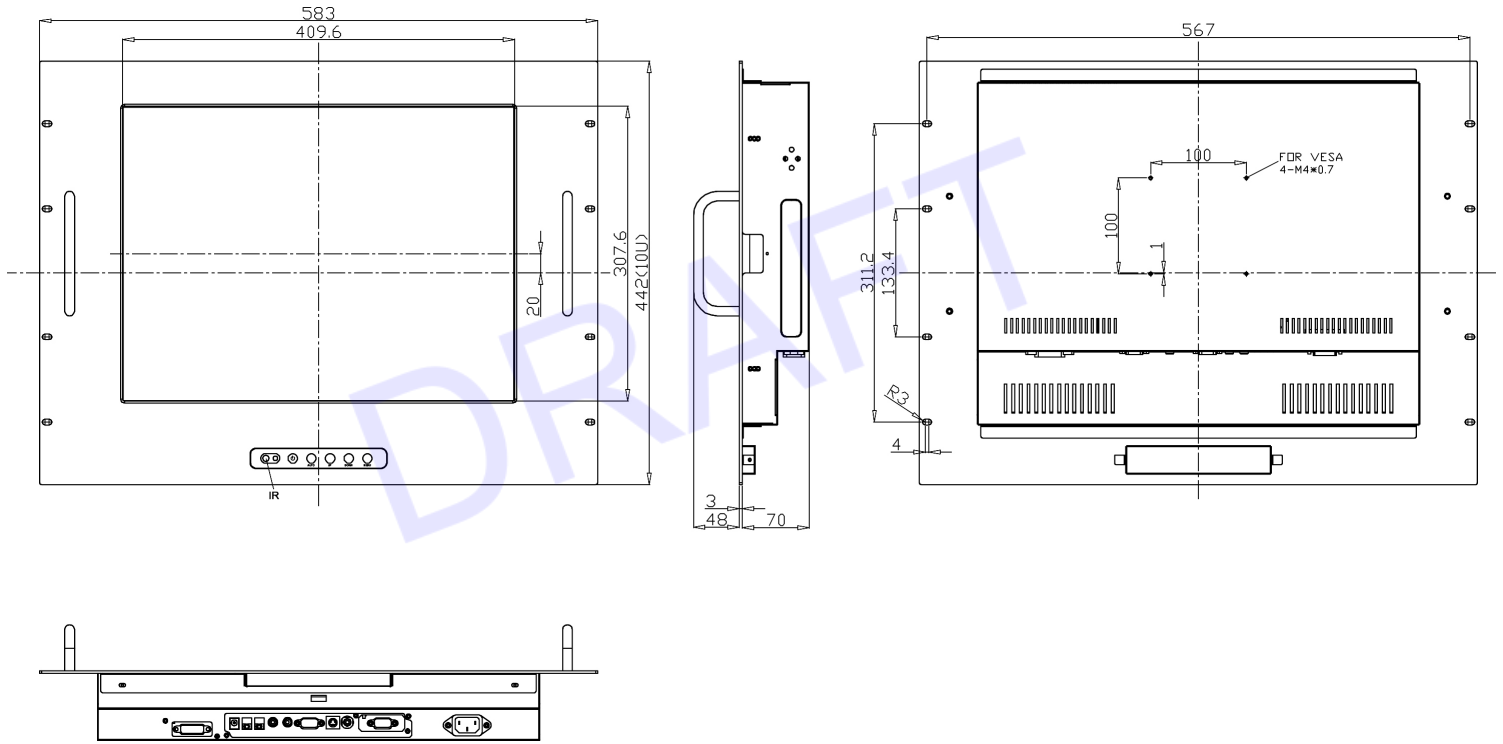
<b>Options</b>	Touch	Video/TV	Enhanced Panel	Others
	Resistive touch	SV + AV	Panel with LED backlight	Digital Signage(Stand alone)
	Capacitive touch	SV + AV + AV Looping	High brightness panel	Networking Digital Signage
	SAW touch	SV + AV + TV	Wide Temperature	Motion Sensor
	Infrared touch		Sunlight Readable	Light Sensor
	Protected glass			Auto-Dimming

\*Specifications subject to change without notice, not responsible for typographical errors.

Modified: 10-03-2022

# MECHANICAL DRAWING:

This is subject to change without Notice. Final Drawings Will be Provided for Approval after Order.



Drawing No.: ERM2010B-TR-SB-10032022-V1