

# 9U RACKMOUNT LCD (3MM METAL FRONT BEZEL)

Rack Mount 19"-1280x1024,LED-450nits,VGA+DVI, Black Color  
Front OSD and Front Handle, VESA Mounting  
PCT (3mm,RS232/USB Both Controller),AC-IN  
Power Cable: America



**MODEL: ERM1900PCT-A01**

## FEATURES:

- Mechanically modularize the design to facilitate adaptable product configurations and straightforward maintenance.
- Incorporate a PCAP touch screen for interactive applications.
- Equipped with an auto-brightness sensor, it accommodates both day and night applications.
- It features a VGA connector, with optional AV, SV, and AV-Looping capabilities.
- We also offer comprehensive custom design solutions tailored for OEM customers.

## SPECIFICATIONS:

Cell Type	TFT LCD
Glass Surface	Black Anti-Glare, low reflection coating
Aspect Ratio	5:4
Size	19" viewable diagonal area
Active Area	378(H) x 302.7(V) mm
Pixel Pitch	0.294(H) x 0.294(V) mm
Native Resolution	1280(H) x 1024(V)
Colors	16.7 M
Brightness	450
Contrast	800 : 1
Response Time	≤ 5 ms
Viewing Angle (typical)	H. 170°(- 85°~ + 85°) , V. 160°(- 80°~ + 80°)
Light Source	LED backlight, Long life, 35,000 hrs (typ)

INPUT SOURCES		
PC System	Signal	Analog RGB (0.7/1.0 V, 75 ohms)
	Sync	Separate Sync, Composite Sync, Sync On Green
	Frequency	F: 30 - 82Khz , F: 50 -75Hz
Audio System	2W speaker x 2	

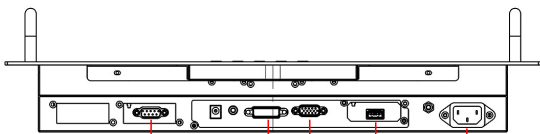
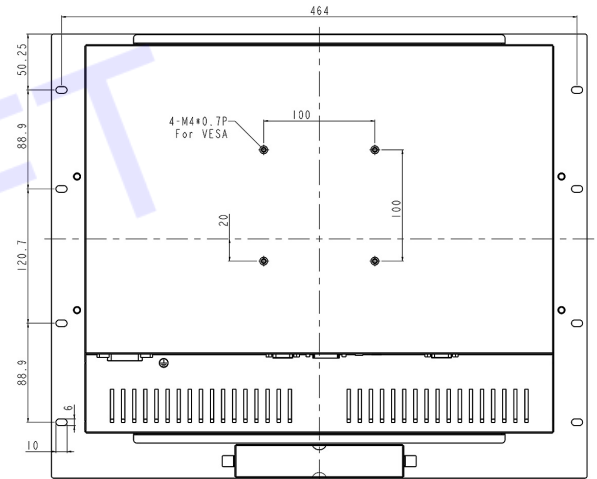
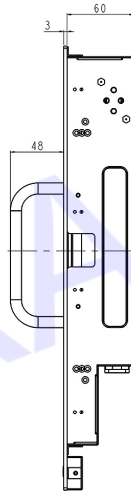
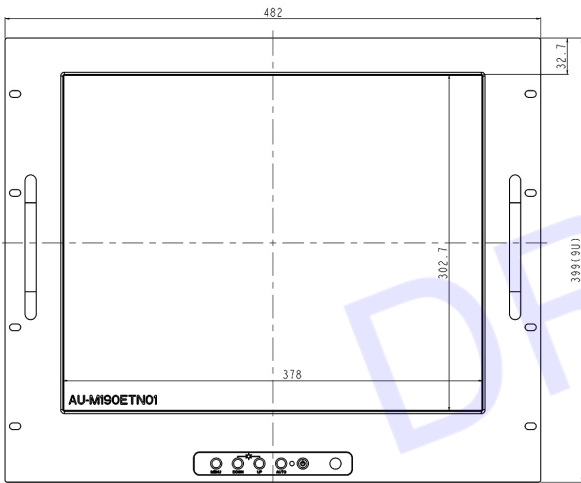
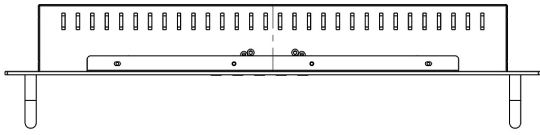
*\*Specifications subject to change without notice, not responsible for typographical errors.*

CERTIFICATION	
FCC , CE	
INPUT TERMINALS	
1 x VGA (15 Pin Female D-Sub) , 1 x DVI, 1 x PC Audio (Stereo Headphone Jack) , 1 x DC Power Plug	
CONVENIENT FEATURES	
Auto Calibration , Back Light Adjustment , Plug&Play (VESA DDC/CI, DDC 2B) , OSD Multi-Languages , Wall Mount Ready (VESA Dimension - please refer to Drawing)	
POWER	
Internal power supply with universal / Auto-Sensing, AC90 to 260V, 50/60 Hz	
POWER CONSUMPTION	
Operation / Power Saving	32.5 watt , < 2 watt (Support DPMS)
OPERATING CONDITION	
Temperature / Humidity	0°C ~ 50°C (32°F ~ 122°F) , 10% ~ 90% (no condensation)
STORAGE CONDITION	
Temperature / Humidity	-20°C ~ 60°C (-4°F ~ 140°F) , 10% ~ 90% (no condensation)
DIMENSIONS	
Physical	
Carton	W x H x D = TBD
WEIGHT	
N.W. / G.W.	6 Kgs/7 Kg
CONTAINER LOADED	
20ft / 40ft / 40ft HQ	TBD (Sets , By pallet)

TOUCH	VIDEO INPUT	ENHANCED PANEL	POWER	OTHERS
Resistive Touch	AV-IN	High Brightness Panel	24V DC-IN	Motion Sensor
Projected Capacitive Touch	AV Looping	Sunlight Readable	9~36V DC-IN	Light Sensor
Infrared Touch	HDMI / DP	Wide Viewing Angle	48V 72V DC-IN	VR-knob Dimming
Protected Glass	HD-SDI	Wide Temperature	90V 125V DC-IN	RS232 Remote On/Off
Optical Bonding		UV Film	110V 220V DC-IN	Military Connector: MIL 38999
		Anti-Vandal		Metal Connector: M12 / M16
				Stainless 316 Enclosure

# MECHANICAL DRAWING:

*This is subject to change without Notice. Final Drawings Will be Provided for Approval after Order.*



- RS232 TOUCHSCREEN CONTROLLER
- DVI
- VGA
- INTERNAL POWER SUPPLY WITH UNIVERSAL AUTO-SENSING, AC90 TO 260V, 50/60 HZ
- USB TOUCHSCREEN CONTROLLER

Drawing No.: ERM1900PTC-A01-02132024-V1

