

PLASTIC PANEL PC

Plastic Panel PC 15" 1024x768, 1000nits
Built-In Auto Light Sensor and 5-wire resistive touch

MODEL: EPC1500-J-TR-ST

FEATURES:

- 15" Plastic 1024x768, 1000nits
- Built-In Auto Light Sensor
- 5-wire resistive touch
- Baytrail+ Celeron-J1900-CPU,
- 8GB DRAM, 64GB SSD
- Built-in Stand Table Stand
- 256GB SSD Window 10 Pro.

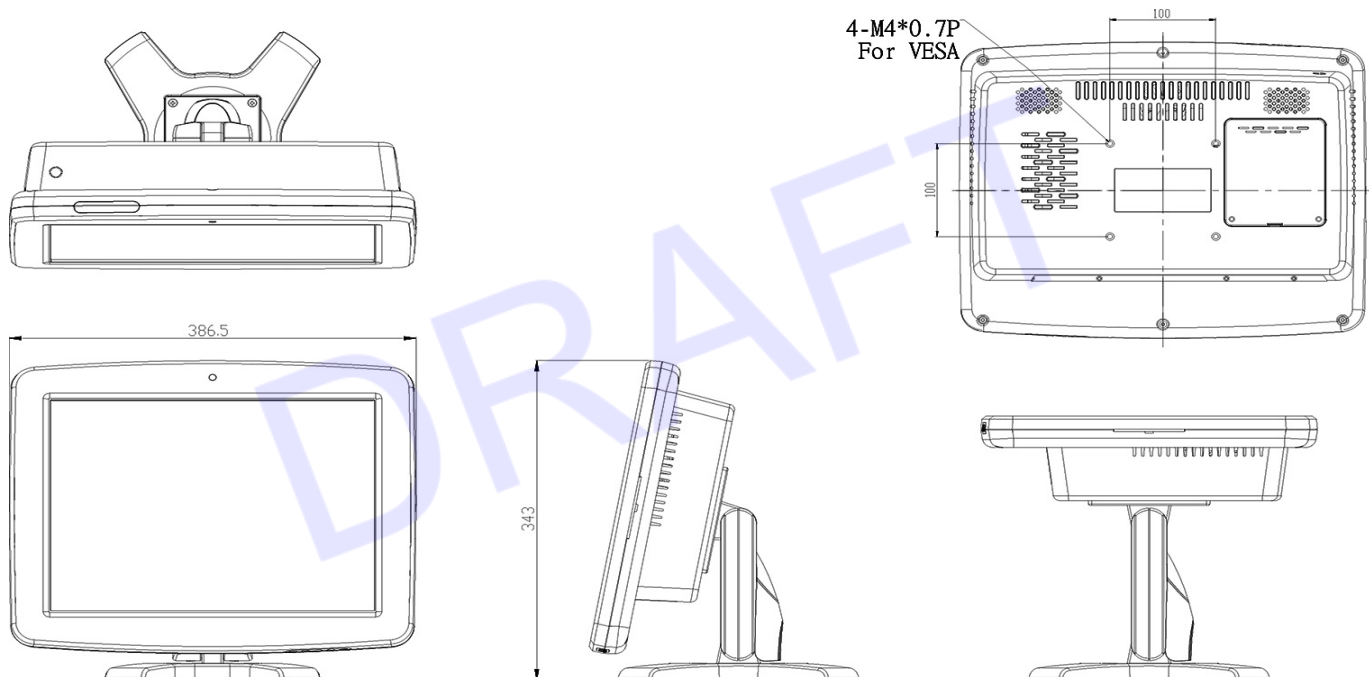
SPECIFICATIONS:

Panel	Cell Type / Glass Surface	TFT LCD / Black Anti-Glare, low reflection coating
	Aspect Ratio / Size	4 : 3 / 15" viewable diagonal area
	Active Area / Pixel Pitch	304.13(H) x 228.10(V) mm / 0.297(H) x 0.297(V) mm
	Native Resolution / Colors	1024(H) x 768(V) / 16.2 Million
	Brightness / Contrast	1000 cd/m ² (typ) / 700 : 1
	Response Time	≤ 35 ms
	Viewing Angle (typical)	H. 140° (- 70° ~ + 70°) , V. 120° (- 60° ~ + 60°)
	Light Source	CCFL , Long life, 50,000 hrs (typ)
Operating Condition	Temperature / Humidity	0°C ~ 50°C (32°F ~ 122°F) , 10% ~ 90% (no condensation)
Storage Condition	Temperature / Humidity	- 20°C ~ 60°C (- 4°F ~ 140°F) , 10% ~ 90% (no condensation)
Certification		FCC, CE
Dimensions	Physical	Please refer to Drawing
	Carton	W x H x D = TBD
Weight	N.W. / G.W.	4 Kgs / 5 Kgs
Container Loaded	20ft / 40ft / 40ft HQ	TBD (Sets , By pallet)

**Specifications subject to change without notice, not responsible for typographical errors.*

MECHANICAL DRAWING

This is subject to change without Notice. Final Drawings Will be Provided for Approval after Order.



Drawing No.: EPC1500-J-TR-ST-03202023-V1

Modified Date: 04-19-2023

PC SPECIFICATIONS:



- Intel Atom Baytrail-M/D Chipset
- Intel Celeron J1900
- 1x COM (RS-232/422/485), 3 x COM (RS-232)
- 1x HDMI, 1 x D-Sub, 1 x Dual Channel 24-bit LVDS
- 2x USB 3.0, 6 x USB 2.0, 2 x SATA2 Gigabit LAN : 2 x Realtek Lan



System processor/Chipsets	Processor	Intel Celeron J1900
	FSB	N/A
	Chipset	Intel Atom BayTrail
	BIOS	UEFI
Memory	Technology	Single Channel DDR3L 1333 MHz SDRAM
	Capacity	8GB DRAM
	Socket	1 x SO-DIMM
Display	Chipset	Intel® Gen7 Intel Graphics DX 11*, OGL3.2
	Video Memory	Shared Memory
	LVDS	Dual channel 24-bit, max resolution 1920 x 1200@60Hz
	VGA	Supports max. resolution 1920 x 1200
	Multi Display	Yes
Ethernet	Ethernet	10/100/1000 Mbps
	Controller	1GbE LAN: Realtek RTL8111G-CG
SATA	Storage	256GB SSD
Expansion Slot	Mini PCIe	1 (Full Size)
Onboard Pin-Header	VGA	0
	USB2.0	6 (3*2.54 pitch header USB 2.0 compliant)
	LV D S	1
	Serial	4 (RS-232)
Rear I/O	VGA	1
	HDMI	1
	COM	0
	USB	2 x USB 3.0
	LAN	2
	Audio	1 (Line out)
Power	Power	9-36V DC-In using 4-pin ATX PWR Con
Watchdog Timer	Interval	256 segments, 0,1,2...255sec/min
	Output	Output from super I/O to drag RESETCON#
Environment	Operating Temp.	-5°C~60°C (23°F~140°F)
	Storage Temp.	-20°C~80°C (-68°F~176°F)
	Relative Humidity	0%~95% (non-condensing)
Form Factor	Dimension (LxW)	146mm x 102mm (5.8" x 4.0")