

INDUSTRIAL CHASSIS LCD

Chassis LCD Display, Wide 19"-1440x900, LED-250nits, VGA+DVI-D signal input ports, SAW touch, USB interface, 12VDC input with external power adapter (Adapter is not included)

Model: EOPW1900SW-INT01-ELO

FEATURES:

- Modularize mechanical design provides flexible product configuration and easy maintenance.
- Optional build-in touch screen for interactive application.
- Available with auto-brightness sensor offers application in day and night.
- VGA connector with optional AV,SV,AV-Looping
- Complete custom design/solution for OEM customers
- Auto Power On: Monitor is always "ON" when connect to power.
- Auto Video Signal On: Monitor (Backlight) will turn off when no video signal, but it will Auto turn back on.
- OSD on Back Housing Facing Back

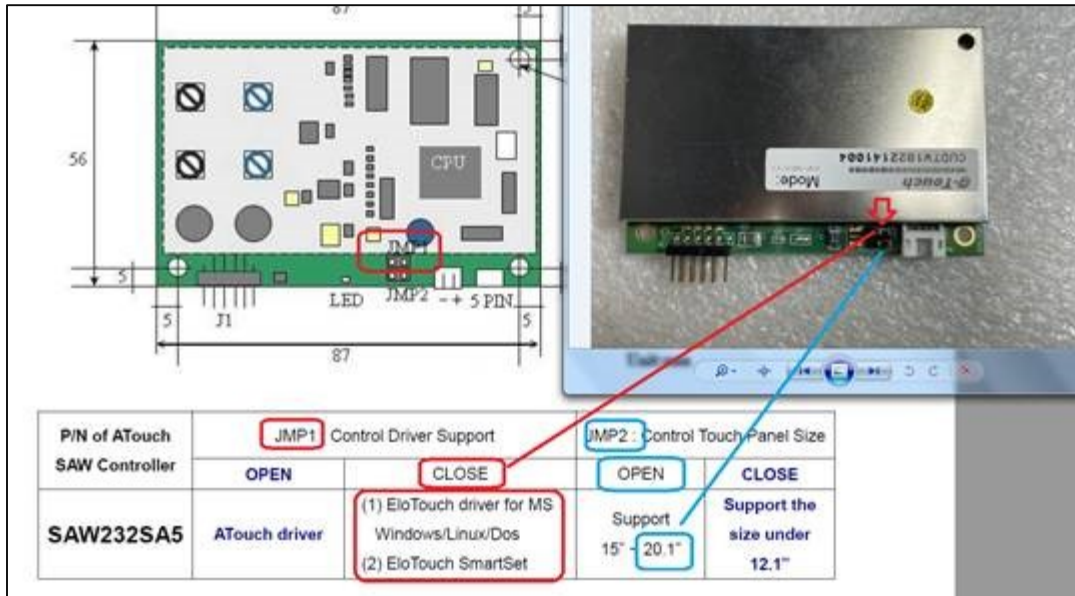
SPECIFICATION:

Panel	Cell Type / Glass Surface	TFT LCD / Black Anti-Glare, low reflection coating	
	Aspect Ratio / Size	Wide / 19" viewable diagonal area	
	Active Area / Pixel Pitch	409.84(H) x 256.75(V) mm / 0.284(H) x 0.284(V) mm	
	Native Resolution / Colors	1440(H) x 900(V) / 16.7M	
	Brightness / Contrast	250 cd/m ² (typ) / 1000 : 1	
	Response Time	≤ 5 ms	
	Viewing Angle (typical)	H.170° (- 85° ~ + 85°) , V. 160° (- 80° ~ + 80°)	
	Light Source	LED backlight, Long life, 35,000 hrs (typ)	
Input Sources	PC System	Signal	Analog RGB (0.7/1.0 V _{p-p} , 75 ohms)
		Sync	Separate Sync, Composite Sync, Sync On Green
		Frequency	F _h : 30 - 82Khz , F _v : 50 -75Hz
	Audio System	Optional	
Input Terminals	VGA+DVI-D Signal Input Ports		
Convenient Features	Auto Calibration , Back Light Adjustment , Plug&Play (VESA DDC/CI, DDC 2B)		
	OSD Multi-Languages , Wall Mount Ready (VESA Dimension - please refer to Drawing)		
Power	12VDC input with external power adapter (Adapter is not included)		
Power Consumption	Operation / Power Saving	22.375 watt , < 1 watt (Support DPMS)	
Operating Condition	Temperature / Humidity	0°C ~ 50°C (32°F ~ 122°F) , 10% ~ 90% (no condensation)	
Storage Condition	Temperature / Humidity	- 20°C ~ 60°C (- 4°F ~ 140°F) , 10% ~ 90% (no condensation)	
Certification	FCC , CE		
Dimensions	Physical	Please refer to Drawing	
	Carton	W x H x D = TBD	
	OEM housing for compatible with ELO_1938	(WxHxD=444*297*47.5mm)	
Weight	N.W. / G.W.	6 Kgs / 7 Kgs	
Container Loaded	20ft / 40ft / 40ft HQ	TBD (Sets , By pallet)	
Touchscreen	SAW touch, USB interface (Elo Drivers compatible)		

Options	Touch	Video/TV	Enhanced Panel	Others
	Resistive touch	SV + AV	Panel with LED backlight	Digital Signage(Stand alone)
	Capacitive touch	SV + AV + AV Looping	High brightness panel	Networking Digital Signage
	SAW touch	SV + AV + TV	Wide Temperature	Motion Sensor
	Infrared touch		Sunlight Readable	Light Sensor
	Protected glass			Auto-Dimming

*Specifications subject to change without notice, not responsible for typographical errors.

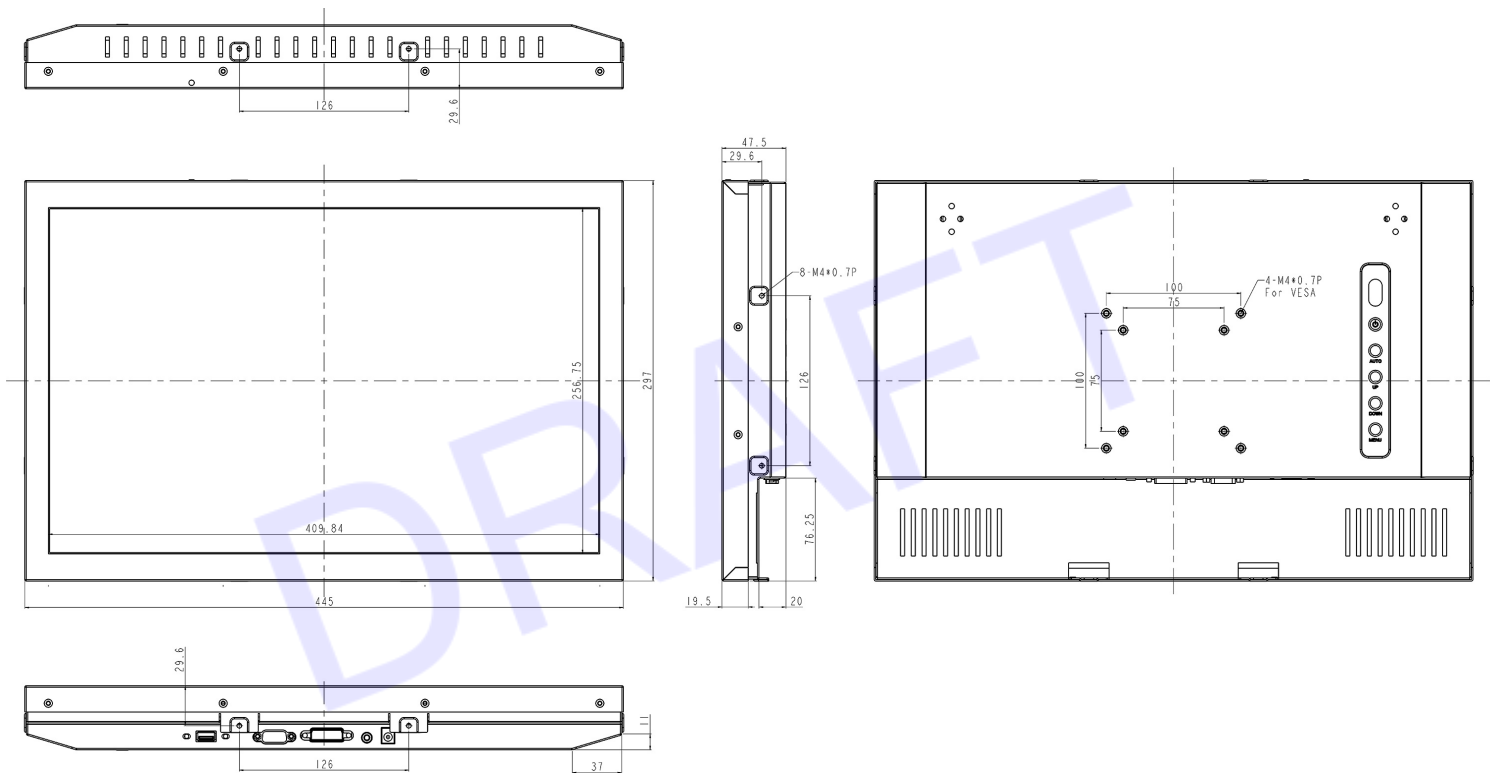
Modified: 02-25-2022



Set the Jumper for Elo Drivers compatible
Jumper 1: Close
Jumper 2: Open

MECHANICAL DRAWING:

This is subject to change without Notice. Final Drawings Will be Provided for Approval after Order.



Drawing No.: EOPW1900SW-INT01-ELO-02252022-V1