

# SUNLIGHT READABLE HIGH BRIGHTNESS LCD

Open Frame, 5.7" LCD Monitor, 640x480, LED-1500nits  
VGA+HDMI, WT (-30~80°C), 12VDC-in w/Adapter  
Power Consumptions: 12 Watts.



**Model: EOP0570HB2-VH**

**1500nits**

## FEATURES:

- 5.7" TFT LCD with resolution up to 640 x 480.
- Suitable for military, tablet, ruggedized PC, kiosk, advertising, POS, marine, transportation, gaming, gas pump.

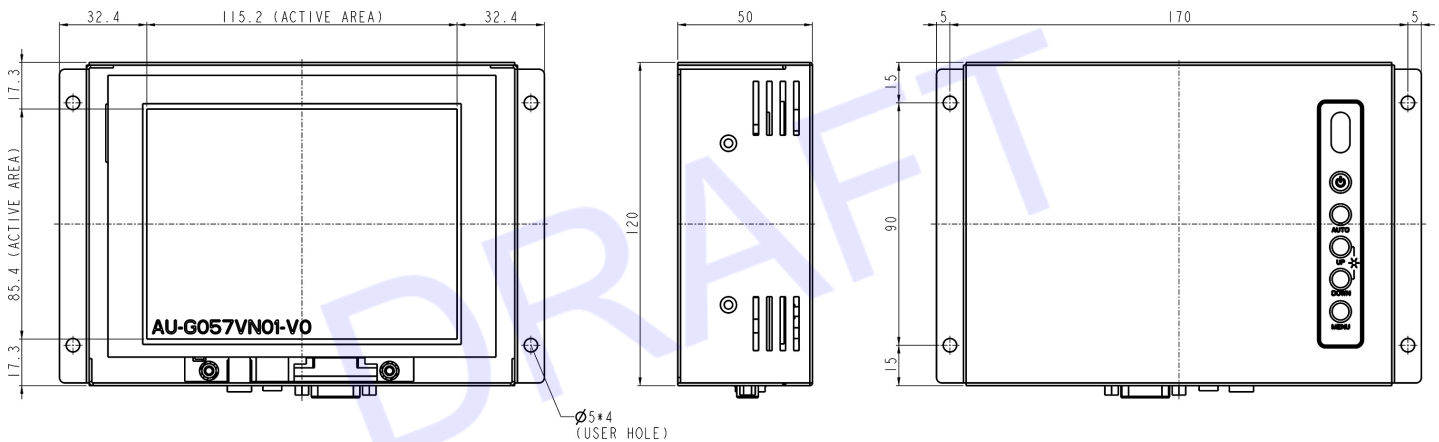
## SYSTEM SPECIFICATIONS

Display Type	5.7" TFT-LCD
Panel	
Display Color	262K / 16.2M colors
Brightness	1500nits
Resolution	VGA(640 x 480)
Contrast Ratio	800: 1
Backlight Unit	LED
Viewing Angle(R/L/U/D)	80/80/70/70
Response Time(Tr+Tf)	25ms
Environmental	
Temperature	
Operation	-30°C~80°C
Storage	-30°C~80°C
Optional	Touch, Glass

*\*Specifications subject to change without notice, not responsible for typographical errors.*

## MECHANICAL DRAWINGS:

*This is subject to change without Notice. Final Drawings Will be Provided for Approval after Order.*



Drawing No.: EOP0570HB2-V2-10202023-V1