

MILITARY GRADE RUGGED IP66 CHASSIS MOUNT DISPLAY

IP66 Full Chassis Stainless with Matte Black Finish
55" LCD monitor, 3840x2160, LED-350nits, AC-IN
w/ Built-in PCT touch

MODEL: EMCMW5500K-SIP-B1



FEATURES:

- Built-in PCAP touch screen for interactive application
- Stainless Steel Enclosure
- MIL 38999 connector: 1xHDMI, 1xPower
- I/O: regular IP66 connector: DP, HD-SDI, USB(touch), RS232 (remote control)
- MIL-STD-167-1, Type 1 Vibration
- MIL-STD-810 Environmental without rain, salt fog, and dust proof.
- MIL-STD-901D Grade A, Class I, Type B Shock
- MIL-STD-461E EMI/EMC
- MIL-STD-1275D
- Matte Black Finish
- Temperature -20°C to +60°C Humidity 5 to 95% @ RH Non-condensing

SPECIFICATIONS:

Cell Type	TFT LCD
Glass Surface	Black Anti-Glare, low reflection coating
Aspect Ratio	Wide
Size	55" viewable diagonal area
Active Area	1209.6(H) x 680.4(V) mm
Pixel Pitch	0.315(H) x 0.315(V) mm
Native Resolution	3840(H) x 2160(V)
Colors	1.073 B
Brightness	350
Contrast	4000 : 1
Response Time	≤ 6.5 ms (G-to-G)
Viewing Angle (typical)	H. 178°(- 89°~ + 89°) , V. 178°(- 89°~ + 89°)
Light Source	LED backlight, Long life, 35,000 hrs (typ)

INPUT SOURCES		
PC System	Signal	Analog RGB (0.7/1.0 V, 75 ohms)
	Sync	Separate Sync, Composite Sync, Sync On Green
Audio System	Frequency	F: 30 - 82Khz , F: 50 -75Hz
		2W speaker x 2

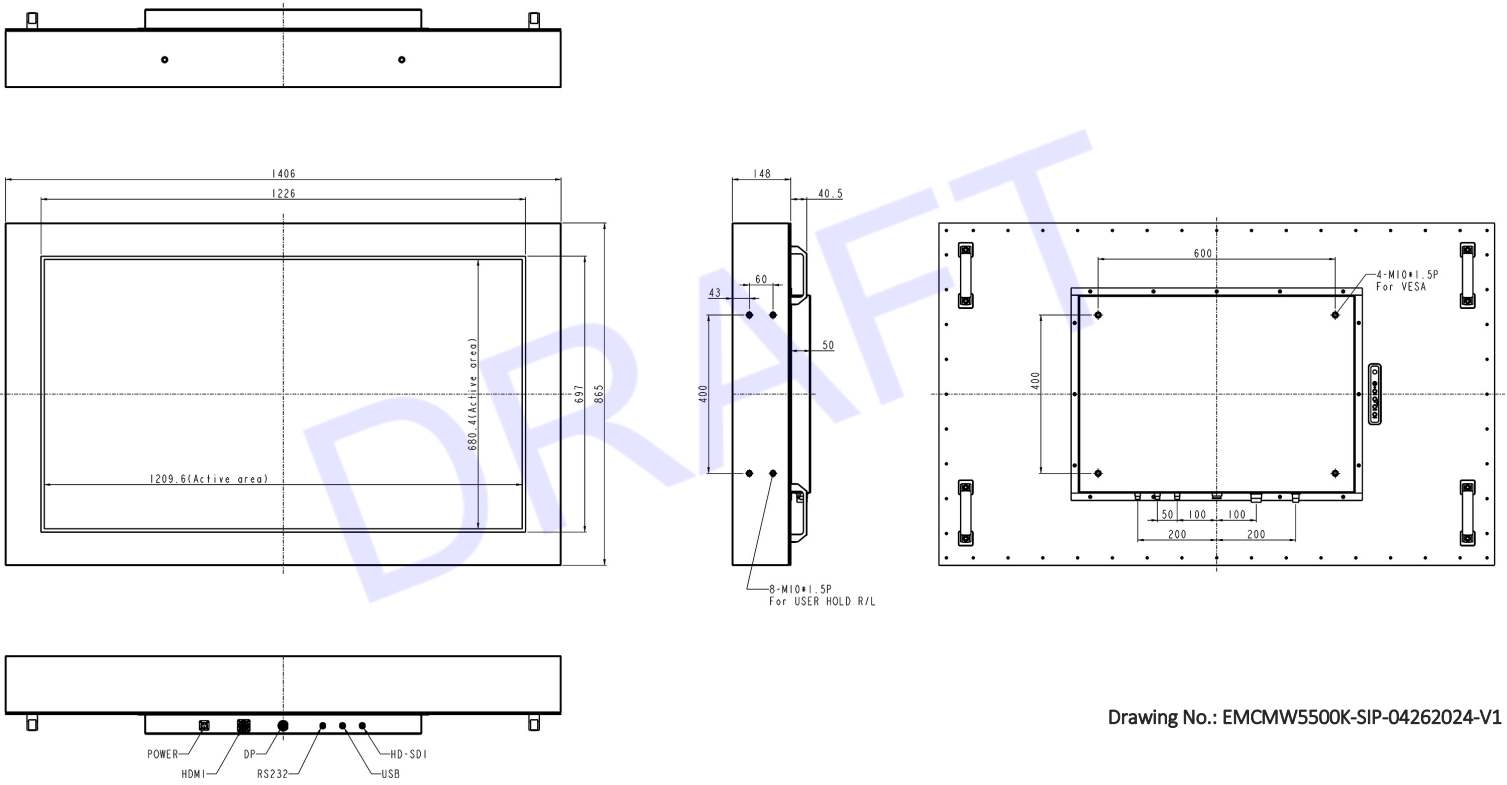
**Specifications subject to change without notice, not responsible for typographical errors.*

CERTIFICATION	
FCC , CE	
INPUT TERMINALS	
I/O: 38999 MIL connector: HDMI, Power I/O: regular IP66 connector: DP, HD-SDI, USB(touch), RS232 (remote control)	
CONVENIENT FEATURES	
Auto Calibration , Back Light Adjustment , Plug&Play (VESA DDC/CI, DDC 2B) , OSD Multi-Languages , Wall Mount Ready (VESA Dimension - please refer to Drawing)	
POWER	
Internal power supply with universal / Auto-Sensing, AC90 to 260V, 50/60 Hz	
POWER CONSUMPTION	
Operation / Power Saving	160 watt , < 1 watt (Support DPMS)
OPERATING CONDITION	
Temperature / Humidity	0°C ~ 50°C (32°F ~ 122°F) , 10% ~ 90% (no condensation)
STORAGE CONDITION	
Temperature / Humidity	-20°C ~ 60°C (-4°F ~ 140°F) , 5% ~ 95% (no condensation)
DIMENSIONS	
Physical	<nil>
Carton	W x H x D = TBD
WEIGHT	
N.W. / G.W.	43.5 Kgs/46.5 Kgs
CONTAINER LOADED	
20ft / 40ft / 40ft HQ	TBD (Sets , By pallet)

TOUCH	VIDEO INPUT	ENHANCED PANEL	POWER	OTHERS
Resistive Touch	AV-IN	High Brightness Panel	24V DC-IN	Motion Sensor
Projected Capacitive Touch	AV Looping	Sunlight Readable	9~36V DC-IN	Light Sensor
Infrared Touch	HDMI / DP	Wide Viewing Angle	48V 72V DC-IN	VR-knob Dimming
Protected Glass	HD-SDI	Wide Temperature	90V 125V DC-IN	RS232 Remote On/Off
Optical Bonding		UV Film	110V 220V DC-IN	Military Connector: MIL 38999
		Anti-Vandal		Metal Connector: M12 / M16
				Stainless 316 Enclosure

MECHANICAL DRAWING:

This is subject to change without Notice. Final Drawings Will be Provided for Approval after Order.



Drawing No.: EMCMW5500K-SIP-04262024-V1