

MILITARY GRADE RUGGED CHASSIS LCD DISPLAY



Military Application, 19"-1280x1024, LED-1000nits, WT(-30~80°), WV(178°/178° WVA), AC-IN w/ Built-in PWR, Build-In PCAP

MODEL: EMCM1900HB-V2

FEATURES:

- Modularize mechanical design provides flexible product configuration and easy maintenance
- Build-in PCAP touch
- Available with auto-brightness sensor offers application in day and night
- I/O connector (Regular): 1 x VGA, 1 x DVI, 1xRS232 remote control
- Environmental: MIL-STD-810 MIL-STD-810F Category 516.5-10 level; MIL-STD-810F Category 514.5-C8 level); Vibration – MIL STD 167
- EMI/EMC: MIL-STD-461/462
- Shock – MIL S 901D (Optical Bonding)
- 9~36VDC Power: MIL-STD-704, MIL-STD-1275

OPTION MIL

- Environmental: MIL-STD-810 MIL-STD-810F Category 516.5-10 level; MIL-STD-810F Category 514.5-C8 level)
- EMI/EMC: MIL-STD-461/462
- Panel construction & lighting: MIL-P-7788
- Power: MIL-STD-704, MIL-STD-1275
- Shock – MIL S 901D (Optical Bonding)
- Vibration – MIL STD 167



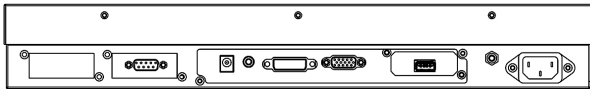
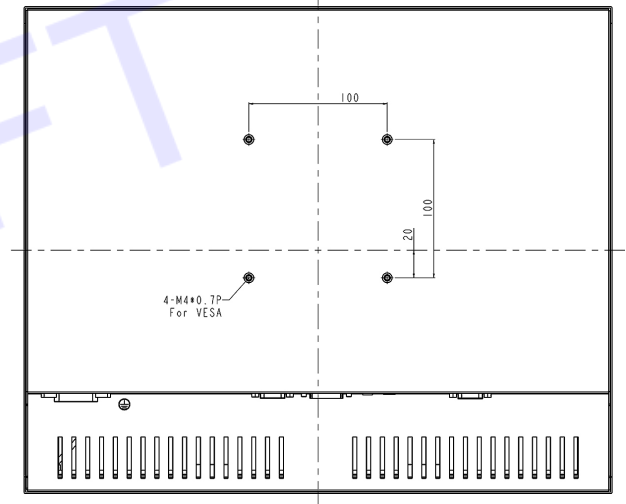
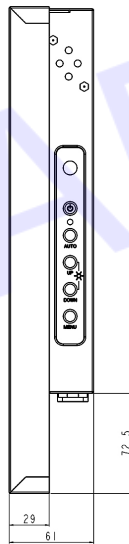
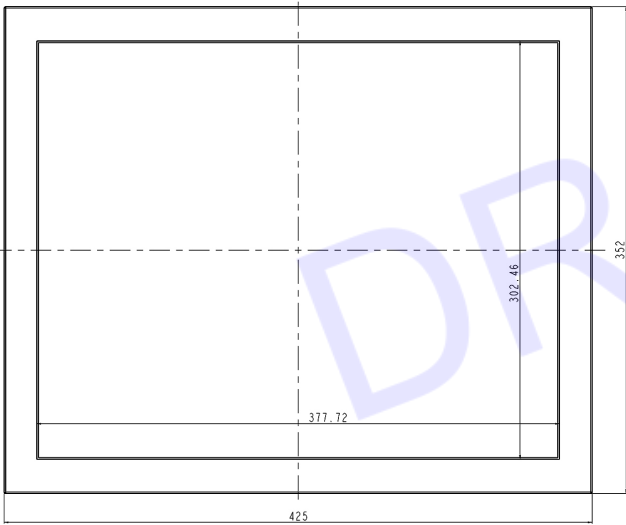
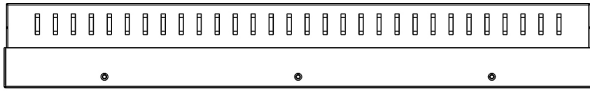
SPECIFICATION:

Panel	Cell Type / Glass Surface	TFT LCD / Black Anti-Glare, low reflection coating	
	Aspect Ratio / Size	4 : 3 / 19" viewable diagonal area	
	Active Area / Pixel Pitch	376.3(H) x 301.1(V) mm / 0.294(H) x 0.294(V) mm	
	Native Resolution / Colors	1280(H) x 1024(V) / 16.7 M	
	Brightness / Contrast	1000cd/m ² (typ) / 1000 : 1	
	Response Time	< 5 ms	
	Viewing Angle (typical)	H. 178° (- 89° ~ + 89°) , V 178°(- 89° ~ + 89°)	
	Light Source	LED backlight, Long life, 35,000 hrs (typ)	
Input Sources	PC System	Signal	Analog RGB (0.7/1.0 V _{p-p} , 75 ohms)
		Sync	Separate Sync, Composite Sync, Sync On Green
		Frequency	F _h : 30 - 82Khz , F _v : 50 -75Hz
Audio System	Optional		
Input Terminals	1 x VGA (15 Pin Female D-Sub) , 1 x DVI, 1 x RS232 (Remote Control), 1 x DC Power Plug		
Convenient Features	Auto Calibration , Back Light Adjustment, Plug&Play (VESADDC/CI, DDC 2B)		
	OSD Multi-Languages , Wall Mount Ready (VESA Dimension - please refer to Drawing)		
Power	9~36VDC Power: MIL-STD-704, MIL-STD-1275		
Power Consumption	Operation / Power Saving 32.5 watt, < 2 watt (Support DPMS)		
Operating Condition	Temperature / Humidity - 30°C ~ 80°C (- 22°F ~ 176°F), 10% ~ 90% (no condensation)		
Storage Condition	Temperature / Humidity - 20°C ~ 70°C (- 4°F ~ 158°F), 10% ~ 90% (no condensation)		
Certification	FCC,CE		
Dimensions	Physical	Please refer to Drawing	
	Carton	WxHxD=TBD	
Weight	N.W./G.W.	6 Kgs/7 Kgs	
Container Loaded	20ft / 40ft / 40ft HQ	TBD (Sets , By pallet)	

**Specifications subject to change without notice, not responsible for typographical errors.*

MECHANICAL DRAWING:

This is subject to change without Notice. Final Drawings Will be Provided for Approval after Order.



Drawing No.: EMCM1900HB-V2-11152022-V2

RS232 COMMAN CODE

RS232 Connection: 9600, 8, N, 1

ITEM	Command
Contrast	1,48,65,48,69,48,65,02,48,48,49,50,48,48,48,48,03, 0~100,13,
VOLUME	1,48,65,48,69,48,65,02,48,48,54,50,48,48,48,48,03,0~100,13,
Brightness	1,48,65,48,69,48,65,02,48,48,49,48,48,48,48,03, 0~100,13,
Clock	1,48,65,48,69,48,65,02,48,48,48,69,48,48,48,48,03, 0~100,13,
Phase	1,48,65,48,69,48,65,02,48,48,51,69,48,48,48,48,03, 0~63,13,
Image - H_POSITION	1,48,65,48,69,48,65,02,48,48,50,50,48,48,48,48,03, 0~100,13,
Image - V_POSITION	1,48,65,48,69,48,65,02,48,48,50,51,48,48,48,48,03, 0~63,13,
Picture mode	
Warm 5800	1,48,65,48,69,48,65,02,48,48,53,52,48,48,52,55,3,118,13,
Normal 6500	1,48,65,48,69,48,65,02,48,48,53,52,48,48,53,52,3,116,13,
Cool 9300	1,48,65,48,69,48,65,02,48,48,53,52,48,48,54,57,3,122,13,
sRGB	1,48,65,48,69,48,65,02,48,48,53,52,48,48,54,65,3,2,13,
USER	1,48,65,48,69,48,65,02,48,48,53,52,48,48,54,66,3,1,13,
Source	
VGA1	1,48,65,48,69,48,65,02,48,48,54,48,48,48,48,49,3,115,13,
HDMI 1	1,48,65,48,69,48,65,02,48,48,54,48,48,48,48,51,3,113,13,
HDMI2	1,48,65,48,69,48,65,02,48,48,54,48,48,48,49,51,3,113,13,
HDMI 3	1,48,65,48,69,48,65,02,48,48,54,48,48,48,50,51,3,113,13,
HDMI 4	1,48,65,48,69,48,65,02,48,48,54,48,48,48,51,51,3,113,13,
HDMI 5	1,48,65,48,69,48,65,02,48,48,54,48,48,48,52,51,3,113,13,
DP	1,48,65,48,69,48,65,02,48,48,54,48,48,48,48,52,3,118,13,
POWER SWITCH	
OFF	1,48,65,48,69,48,65,02,48,48,50,48,48,48,48,48,3,118,13,
ON	1,48,65,48,69,48,65,02,48,48,50,48,48,48,48,49,3,119,13,
Mute	
1(ON)	1,48,65,48,69,48,65,02,48,48,56,68,48,48,48,49,03, 9,13,
0(OFF)	1,48,65,48,69,48,65,02,48,48,56,68,48,48,48,48,03, 8,13,
AUTO	1,48,65,48,69,48,65,02,48,48,50,52,48,48,48,49,03,115,13,
RESET	1,48,65,48,69,48,65,02,48,48,50,53,48,48,48,49,03,114,13,
STATUS	
Test code	1,48,65,48,69,48,65,02,48,48,52,53,48,48,48,48,03,55,13,
Normal return	1,48,65,48,69,48,65,02,48,48,52,53,48,48,48,48,03,48,13,
Power Off return	1,48,65,48,69,48,65,02,48,48,52,53,48,48,48,48,03,49,13,
Sleep Mode return	1,48,65,48,69,48,65,02,48,48,52,53,48,48,48,48,03,50,13,