

INDUSTRIAL CHASSIS FANLESS PANEL PC

Chassis Fanless Panel PC, 8.4" LCD monitor, 800x600, LED-450nits, 12VDC-IN w/Adapter, Intel BayTrail, Celeron-J1900, JNF3A-J1900 / RAM 4GB / HDD 500GB

Model: ECH840L-TR-PC-NM004



FEATURES:

- Intel BayTrail, Celeron-J1900
- JNF3A-J1900 / RAM 4GB / HDD 500GB
- Line-out x1, DVI x1, USB (2.0) x3, USB (3.0) x1, LAN x2 and DC Jack. COM x2
- DC Jack with external 100~240VAC power adapter
- Build-in 5-wire resistive touch
- Win 10 IoT 2019 LTSC
- Power Adapter with Male C-14 plug

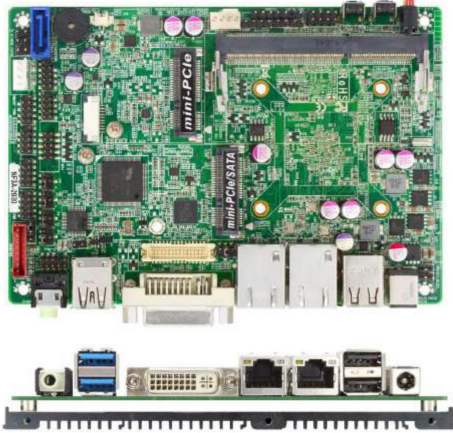
SPECIFICATION:

Panel	Cell Type / Glass Surface	TFT LCD / Black Anti-Glare, low reflection coating
	Aspect Ratio / Size	4 : 3 / 8.4" viewable diagonal area
	Active Area / Pixel Pitch	171.8(H) x 129.2(V) mm / 0.213(H) x 0.213(V) mm
	Native Resolution / Colors	800(H) x 600(V) / 262 K
	Brightness / Contrast	450 cd/m2 (typ) / 600 : 1
	Response Time	≤ 30 ms
	Viewing Angle (typical)	H. 160° (- 80° ~ + 80°) , V. 160° (- 80° ~ + 80°)
	Light Source	LED backlight, Long life, 35,000 hrs (typ)
Power	12VDC / 1.25A - 1.67A	
Power Consumption	15W - 20W	
Operating Condition	Temperature / Humidity	-30°C ~ 85°C (-22°F ~ 185°F) , 10% ~ 90% (no condensation)
Storage Condition	Temperature / Humidity	- 20°C ~ 60°C (- 4°F ~ 140°F), 10% ~ 90% (no condensation)
Certification	FCC,CE	
Dimensions	Physical	Please refer to Drawing
	Carton	WxHxD=TBD
Weight	N.W./G.W.	2.5 Kgs / 3.5 Kgs
Container Loaded	20ft / 40ft / 40ft HQ	TBD (Sets , By pallet)

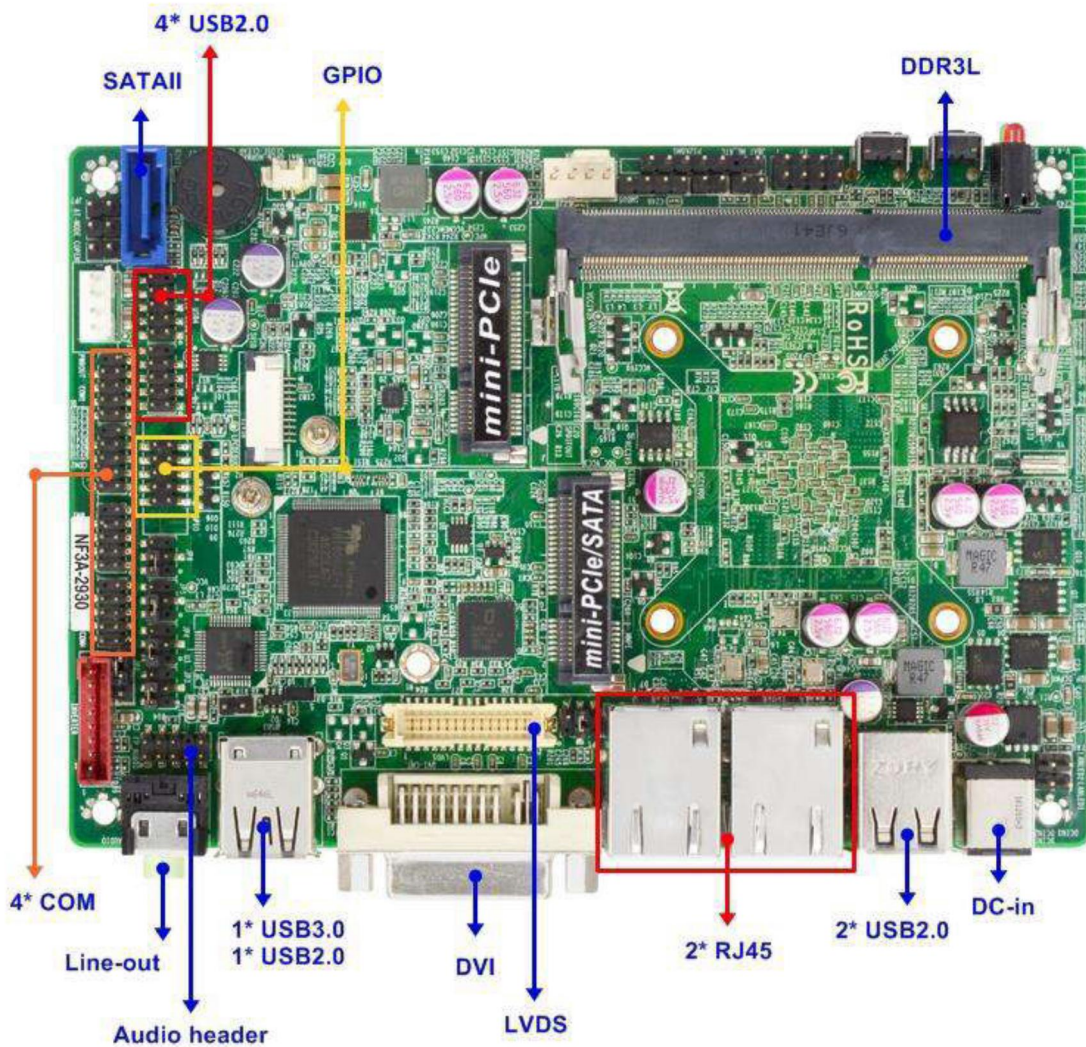
**Specifications subject to change without notice, not responsible for typographical errors.*

****Power Adapter with Male C-14 plug****





- Intel Bay Trail Series SoC Processor (Default: J1900)
- Support 1 * DDR3L 1333/1066MHz Single/Dual CH up to 4GB/8GB
- Support 1 * Serial ATAII (3Gb/s) Device
- Integrated Realtek ALC888S HD Audio CODEC with 2-CH
- 1 * 24-bits Dual Channel LVDS header
- Support DVI-I Output
- Supports 2 * Realtek RT8111G GbE
- Support CPU Smart FAN
- Support Watch Dog Timer 0~255 sec
- +9~24VDC-in PWR jack

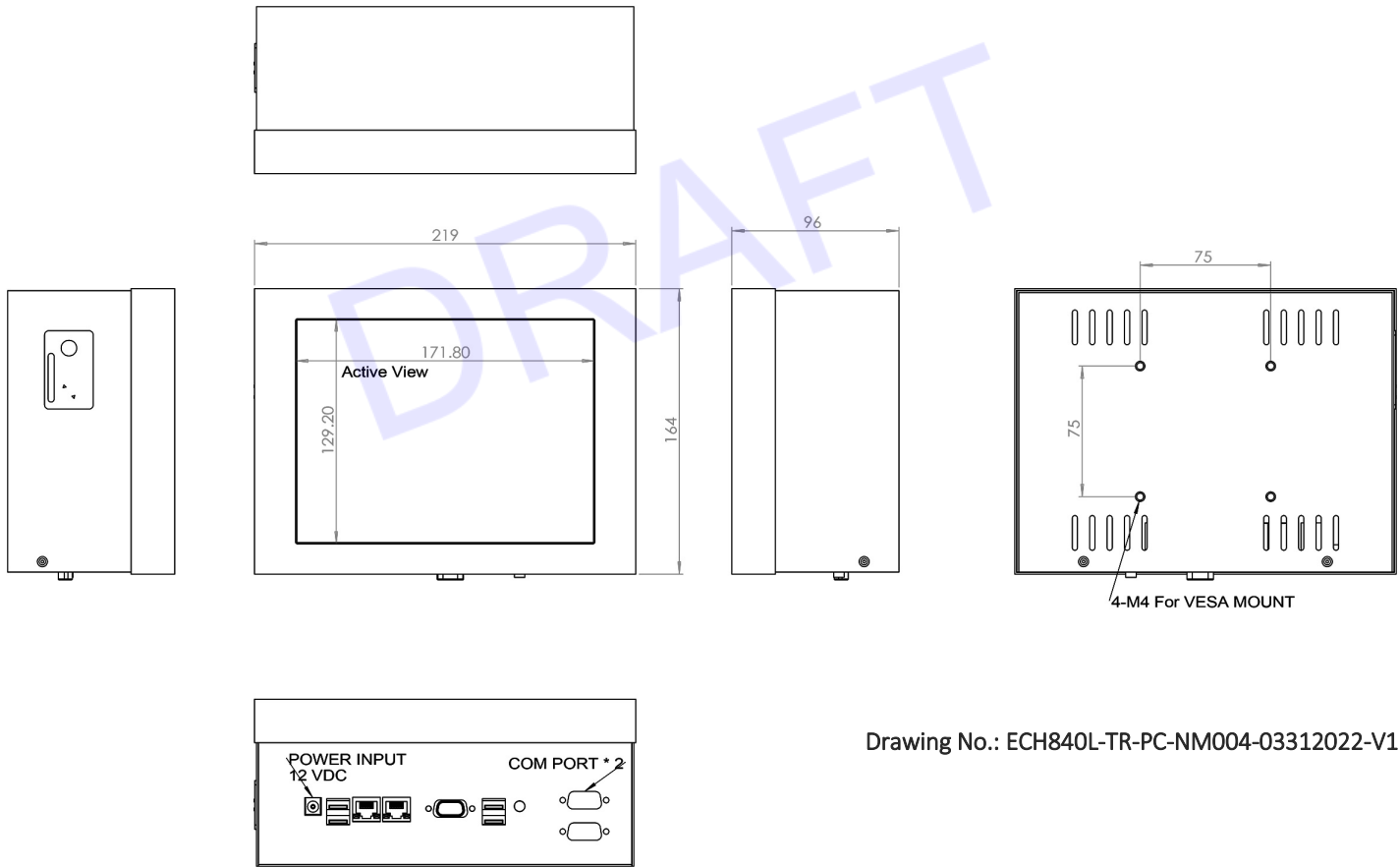


Form Factor	
Dimensions	-3.5" SBC (148* 102 mm)
Processor System	
CPU	- Intel® Bay Trail Series SoC Processor, Default: N2930
Core Number	- by CPU
Max Speed	- by CPU
L2 Cache	- by CPU
Chipset	-SoC
BIOS	-AMI 64Mb Flash ROM
Expansion Slot	
Mini-PCle	-1 (full size, shared with mSATA) + 1 (half size)
mSATA	-1 (shared with full size Mini PCIe)
Memory	
Technology	- Single/Dual Channel DDR3L 1333MHz SDRAM (By CPU)
Max.	-4GB/8GB
Socket	-1*SO-DIMM
Graphics	
Controller	-Intel® HD Graphics
VRAM	- Shared Memory
LVDS	-1 * 24-bits Dual CH
DVI-I	-1
Multi Display	-Yes (Dual Displays)
Ethernet	
Ethernet	-10/100/1000 Mbps
Controller	-RealtekRTL8111HGbE
Connector	- 2 * RJ45
SATA	
Max Data Transfer Rate	-1 * SATA (3.0Gb/s)
Rear I/O	
DVI-I	-1
Ethernet	-2
USB	- 4 (3 * USB2.0 + 1* USB 3.0)
Audio	-1 (Line -out)
DC-input	-1
Internal Connector	
USB	- 4 (4 x USB 2.0)
PS/2	-1
LVDS/inverter	-1
Serial	- 4 (3 * RS232, 1 * RS232/422/485 with 5V/12V selectable header)
SATA	-1 * SATA (3.0Gb/s)
mPCle	-1 (full size, shared with mSATA) + 1 (half size)
mSATA	-1 (shared with mPCle)
GPIO 8-bit	- 4-in / 4-out
Chassis intrusion	-1
Audio Header	-1 (Line-out & MIC)
Watchdog Timer	
Output	- From Super I/O to drag RESETCON#
Interval	- 256 segments, 0,1,2...255sec/min

Power Requirements	
Input PWR	- +9~24V DC-in (2-pin PWR Con)
Power On	AT/ATX Supported -AT: Directly PWR on as Power input ready -ATX: Press Button to PWR on after Power input ready
Certifications	
Certifications	- CE, FCC, RoHS, REACH
Environment	
Temperature	-Operating: -20°C~60°C -Storage: -40°C ~ 70°C -Humidity: 10% ~ 90% RH @40°C (non-condensing)

MECHANICAL DRAWINGS:

This is subject to change without Notice. Final Drawings Will be Provided for Approval after Order.



Drawing No.: ECH840L-TR-PC-NM004-03312022-V1