

Ruggedized IP65

10.1" HMI PoE Panel PC Model: WPMPC1010W-I93SPD

Product Features:

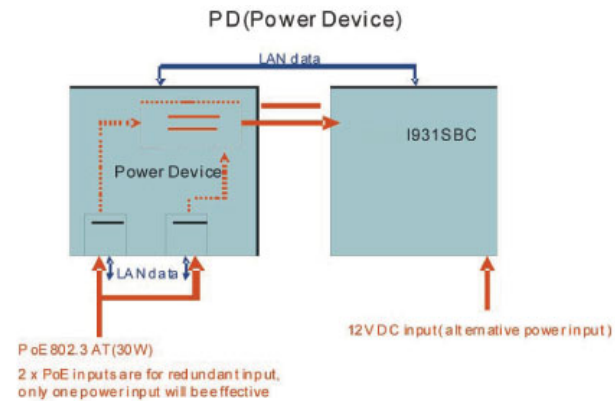
- 10" TFT LCD with resistive touch screen
- Embedded Intel® Atom Z510P/Z530P 1.1GHz/1.6GHz processor
- Power Device
- Support Power over Ethernet(PD) IEEE 802.3at
- Fanless and Ultra-low power consumption

Specifications:

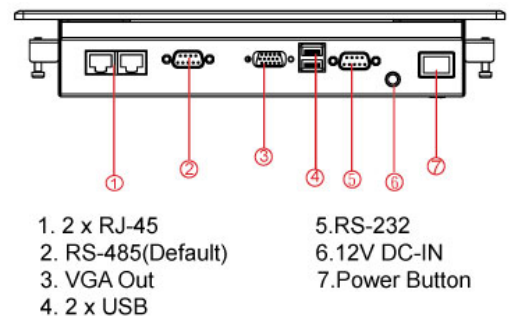
Display	Model Name	WPMPC1010W-I93SPD
	Size/Type	10" TFT(LED Back Light)
	Resolution (pixels)	1024 x 600
	Number of Colors	256 K
	Brightness (cd/m2)	250
	Contrast Ratio	500:1
	Viewing Angle	-70~70 (H) ; -40~60 (V)
System	Processor	Intel® Atom Z510P/Z530P 1.1GHz/1.6GHz
	Chipset	Intel® US15W XL
	Memory	1 x SO-DIMM 512MB DDR2 400/533 (max 1GB)
	IDE/SATA	1 x 44pin IDE (UDMA33/66/100)
	LAN	Dual Realtek RTL8111B Gigabit LAN Controller
	Storage	1 x Mini PCI-E SSD 4GB
Input / Output	USB Port	2 x USB
	Ethernet	2 x RJ 45-10/100/1000 Support IEEE 802.3at, PoE/PD
	VGA	1 x VGA (female)
	RS-232	1 x RS-232 COM Port
	RS-422/485	1 x RS-232/422 / 485 COM Port (Default RS-485)
	*10.1" PPC needs either one port 802.3at PoE input	
Power	Power Input	12V DC-IN Power input or receives PoE Power from RJ45 Connector
	Power consumption	20W (typ.)(Max.backlight & high CPU load)
Environment	Operating Temperature	0 deg.C to 50 deg.C
	Humidity	30% to 90% (non condensing)
Driver OS Support	Windows XP embedded / Windows 7 / Windows XPP Embedded / Linux / Win CE	
Accessories	External Adapter	110~230V Ac-in Power Adapter
	Mechanical	Panel Mount (6mm bezel)
	Touch	4 Wires Resistive
Default	CPU	Z510P 1.1GHz (optional for 1.6GHz)
	Storage	1 x Mini PCI-E SSD 4GB
	RAM	1 x SO-DIMM DDR2 400/533 512MB
PoE Function	Require IEEE 802.3at 25W power input Power Device PD (Power-input)	
Testing PoE Router	iTechLCD has tested this PD Product with D-Link DES-1008P and works perfectly	



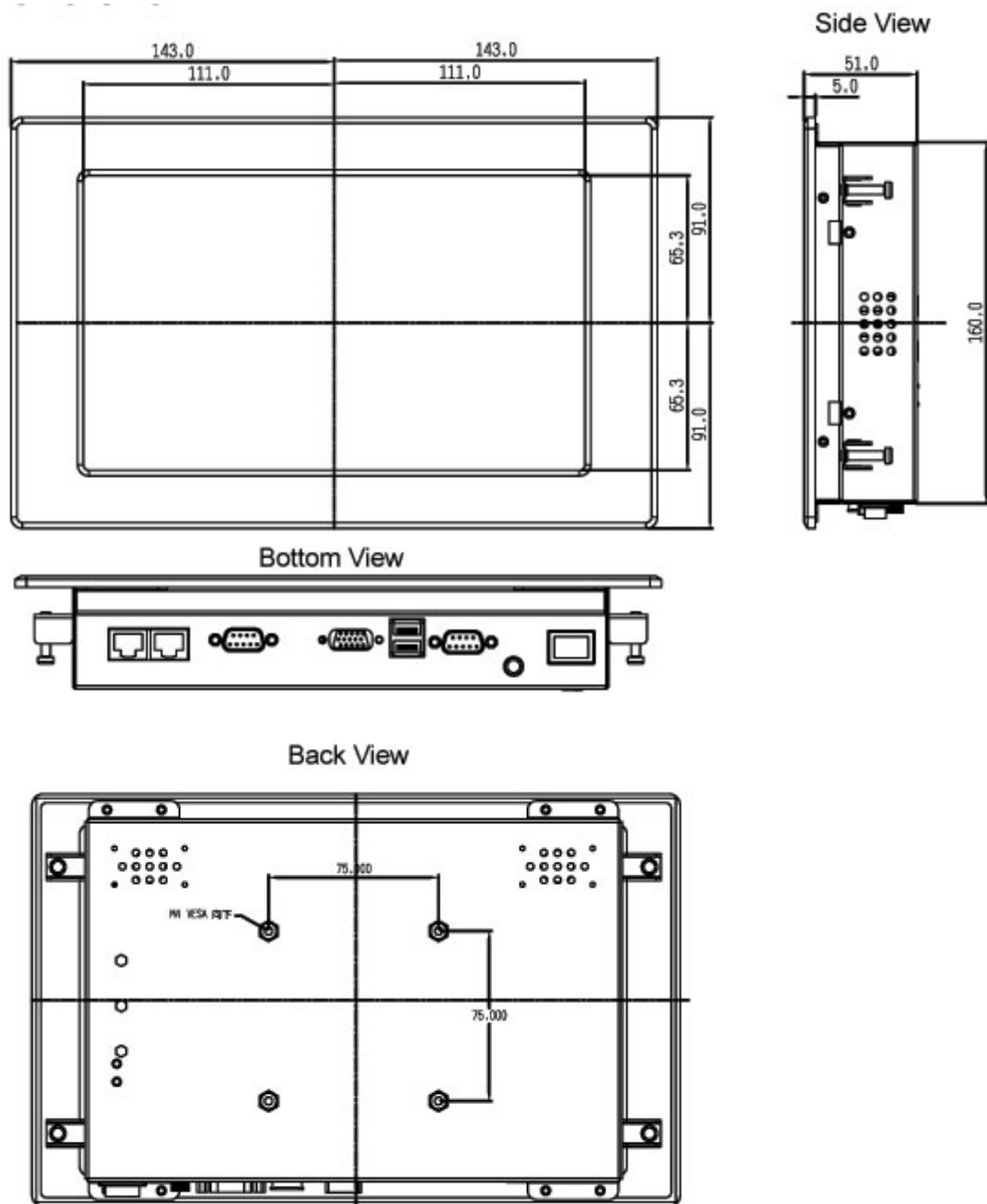
Block diagram:



I / O View:



Dimensions:



* Total dimension: L x H x D=286 x 182 x 51mm
Cutout dimension: 239 x 170mm
Note: this is a simplified drawing and some components are not marked in detail.
Please contact our sales representative if you need further product information