

ULTRA RUGGED TABLET PC

10.1" 1920x1080 Ultra Rugged Tablet with Intel Core i5, 4GB RAM, 128 GB SSD, Win 10 IoT Enterprise Value, Projected Capacitive Multi Touch Screen

MODEL: WVMW1010-i5



FEATURES:

- 10.1" 1920 x 1080 LED Panel with direct optical bonding,
- 8th Gen. Intel Core i5 8265U, 1.6 GHz (turbo up to 3.90 GHz)
- Adjustable Kickstand that is Convertible to a handle
- Ecological seals protect ports as well as connectors from moisture and dust
- MILSTD38999 connector for Giga LAN, RS232/RS422 and Power Input
- With daylight readable screen 800 nits optical bonding for clarity increasing and readability enhancing

SPECIFICATIONS

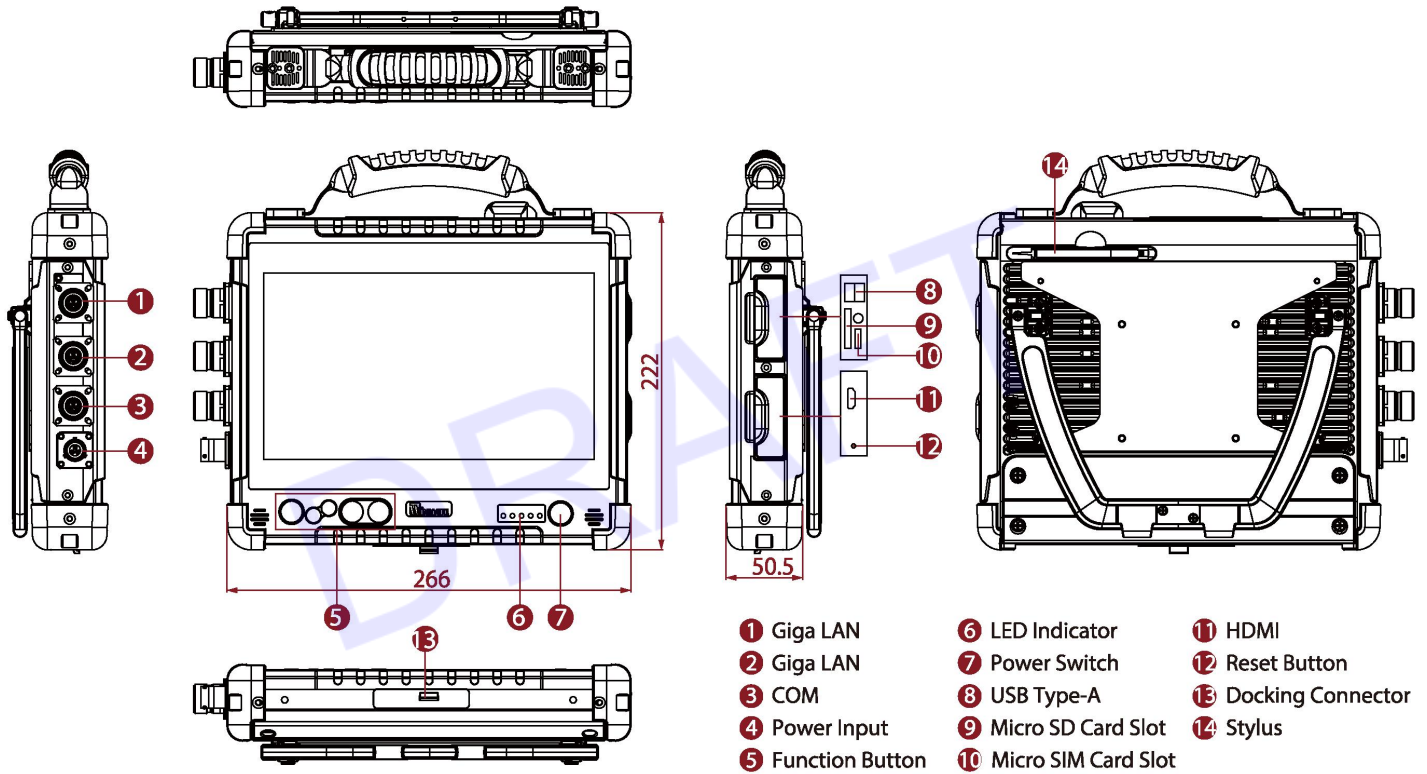
Display			
Resolution	1920x1080	Size	10.1 inches
Contrast Ratio	800:1	Panel Brightness	800 nits
View Angles	85,85,85,85	Touch / Glass	Projected Capacitive Multi Touch Screen
System Specification			
Processor	Intel Core i5-8265U 1.6GHz (up to 3.9GHz)	Memory	4GB SODIMM DDR4-2400 8GB SODIMM DDR4-2400 (Optional) 16GB SODIMM DDR4-2400 (Optional)
Storage	1 x 128GB M.2 SSD 256GB M.2 SSD (Optional) 512GB M.2 SSD (Optional)	Security	TPM 2.0
Operating System	Windows 10 IoT Enterprise (64 bit) Linux Ubuntu 20.04 (Optional)	WLAN	802.11 a/b/g/n/ac
BT	Support	WWAN	4G/ LTE or 3G (Optional)
GNSS	Supports GPS GLONASS, Galileo, BeiDou (Optional)		
Mechanical			
Dimension	266 x 222 x 50 mm	Weight	2.4 kg
Enclosure	Plastic front cover and Alu-Mg Alloy rear cover with Protective Rubber	Cooling System	Fanless Design
Docking Housing	nan		
Power			
Battery	11.1V, 5200mAh Lithium-Ion Battery (6cells)	Battery Operating Time	8 Hours
Power Rating	9-36V DC in (MIL-DTL-38999/1 connector)	Adapter	100-240V, 50-60Hz / 19V DC
Environment			
Operating Humidity	10% to 90% RH, non-condensing	Operating Temperature	-20°C to 60°C (AC mode), -10°C to 50°C (Battery mode)
Storage Temperature	-30°C to 70°C (-22°F to 158°F)	Shock	MIL-STD-810G Method 516.6 Procedure I
Vibration	MIL-STD-810G Method 514.6 Procedure I	IP rating	IP54
Drop	MIL-STD-810G Method 516.6, 4 ft		

Certification			
Certification	CE, FCC		
Control			
Button	1x Power, 1 x Menu, 3 x Function Key, 2x Brightness Control Key		
Accessory			
Accessory	Power Cord and Adapter	Optional Accessory	Multi-functional Desktop Docking station
	Default Battery		Vehicle Mounting Charger Kit
	Quick Start Guide		Car Charger
	Manual + CD		Handstrap
	Stylét		Shoulder Handle (Carrying Belt)
	Câble alimentation + Ethernet		Carry Bag
	MILSTD38999		
	Cable RS232/RS422/RS852 MILSTD38999		
IO Ports			
USB Port	2 x USB 3.0	Serial Port	1 x RS232/RS422 /485 + 1 x RS422 Port(MILSTD38999 connector)
Audio	2 x 1 Watt Speaker	LAN	1 x RJ45-10/100/1000 Mbps LAN(MIL-STD-38999 connector)
Indicator	4x LED Indicator for Power, Battery, SSD, RF status		

**Specifications subject to change without notice, not responsible for typographical errors.*

MECHANICAL DRAWING

This is subject to change without Notice. Final Drawings Will be Provided for Approval after Order.



- ① Giga LAN
- ② Giga LAN
- ③ COM
- ④ Power Input
- ⑤ Function Button
- ⑥ LED Indicator
- ⑦ Power Switch
- ⑧ USB Type-A
- ⑨ Micro SD Card Slot
- ⑩ Micro SIM Card Slot
- ⑪ HDMI
- ⑫ Reset Button
- ⑬ Docking Connector
- ⑭ Stylus

Drawing No.: WVMW1010-i5-07052023-V1