

RUGGEDIZED LCD DISPLAY

Front IP65 Wide 7" Rugged Full IP65 Dust/Water Resistant Protection,
1024x600, 1000nits Projected Capacitive Multi Touch Screen
Operating Temperature -15~55C Shock 40g for 11ms Vibration 1.48/1.90/2.24 g rms for
XYZ/ 5-500Hz, M12 connectors. 1 x VGA, 12V input with 100~240V AC to DC Adapter
Power Cord, 1 x USB for Touch Screen

MODEL: WRDW0700MHB-TFP



FEATURES:

- 7" 1024 x 600 Resolution
- Projected Capacitive Multi-Touch (PCAP)
- Full IP65 Water and Dust Proof
- M12 Waterproof Connectors
- Fully rugged elegant, edge-to-edge design

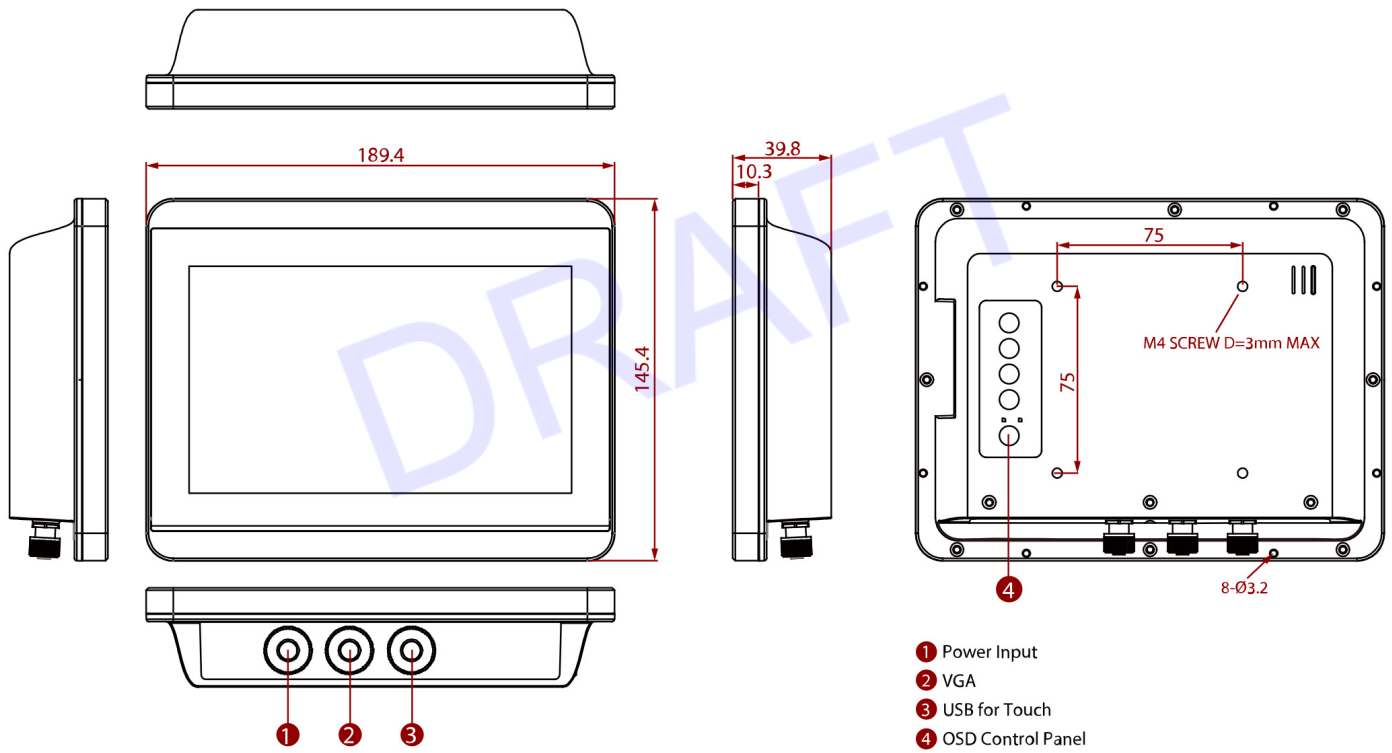
SPECIFICATIONS:

Display	
Touch / Glass	Projected Capacitive Multi Touch Screen Protection Glass (Optional)
Resolution	1024x600
Size	7 inches
Contrast Ratio	700:1
Panel Brightness	1000 nits
Display Color	16.2M Colors
View Angles	75,75,75,70
Active Area	153.6x90 mm
Environment	
Operating Humidity	10% to 95% RH
Operating Temperature	-15°C to 55 °C
Storage Temperature	-30°C to 60°C
Shock	40g for 11ms
Vibration	1.48/1.90/2.24 g rms for XYZ/ 5-500Hz
IP rating	Full IP65
Certification	
Certification	Compliant with MILSTD810F/G for vibration / shock, CE, FCC
IO Ports	
USB Port	1 x USB for Touch Screen
Video	1 x VGA
Audio	1 x Speaker
Mechanical	
Dimension	189.4 x 145.4 x 39.8 mm
Enclosure	Metal Housing with Aluminum Bezel
Mounting	VESA Mount/ Panel Mount
Cooling System	Fanless Design
Accessory	
Accessory	Quick Start Guide(Hardcopy) AC Adapter(For 7" Display only) M12 Power Cable(Not Supplied with 7" Display) VGA Cable USB for Touch Cable I/O Protective Cap x 3
Power	
Power Rating	12V DC (M12 type)
Control	
Button	5 Keys: , + , Power , Esc , Enter

**Specifications subject to change without notice, not responsible for typographical errors.*

MECHANICAL DRAWING:

This is subject to change without Notice. Final Drawings Will be Provided for Approval after Order.



Drawing No.: WRDW0700MHB-TFP-04042022-V1