

# RUGGEDIZED LCD DISPLAY

Front IP65 Wide 7" Rugged Full IP65 Dust/Water Resistant Protection,  
1024x600, 1000nits Projected Capacitive Multi Touch Screen  
Operating Temperature: 0~50C, Shock 40g for 11ms Vibration 1.48/1.90/2.24 g rms for  
XYZ/ 5-500Hz, 1 x VGA, 12V input with 100~240V AC to DC Adapter Power Cord, 1 x USB  
for Touch Screen

**MODEL: WRDW0700HB-TFP**



## FEATURES:

- 7" 1024 x 600 Resolution
- VGA input and HDMI input
- Projected Capacitive Multi-Touch
- Front IP65 for protection against water and dust

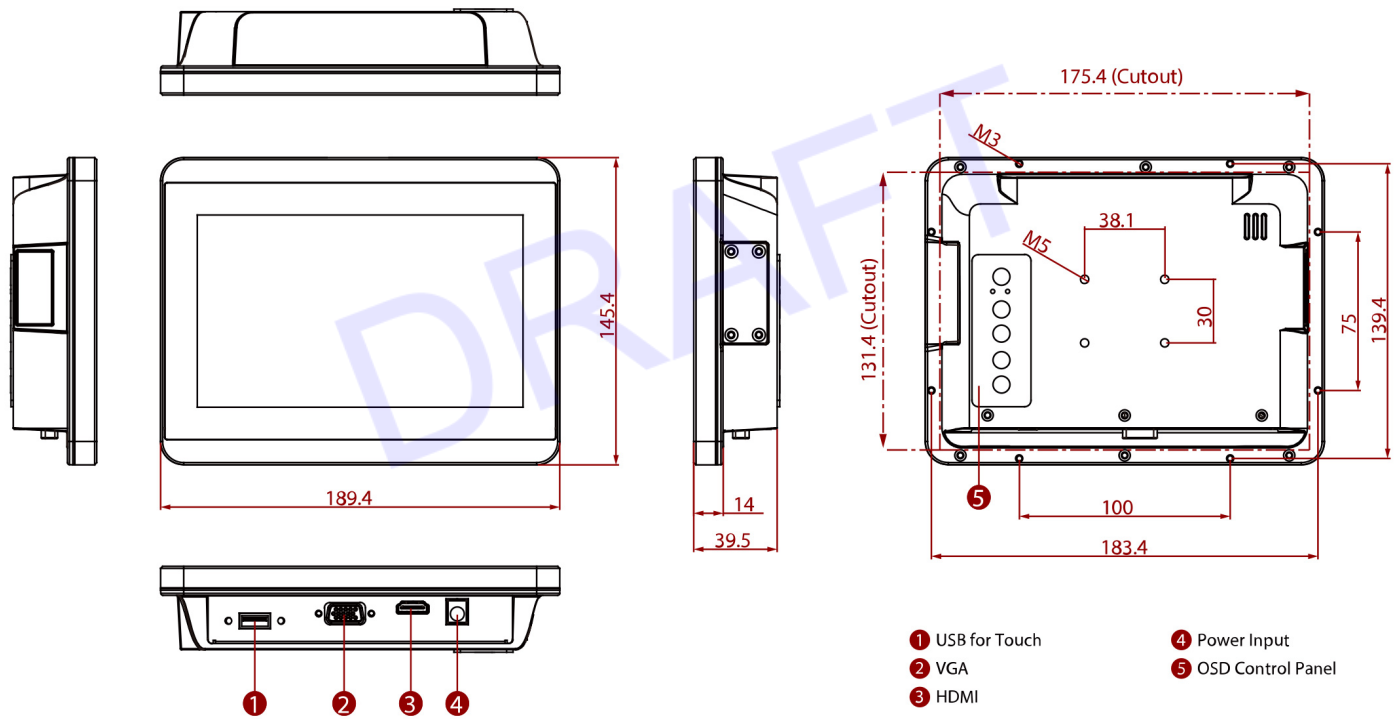
## SPECIFICATIONS:

<b>Display</b>	
Touch / Glass	Projected Capacitive Multi Touch Screen
Resolution	1024x600
Size	7 inches
Contrast Ratio	500:1
Panel Brightness	1000 nits
Display Color	16.7M Colors
View Angles	75,75,75,70
<b>Environment</b>	
Operating Humidity	10% to 95% RH
Operating Temperature	0°C to 50°C
Shock	40g for 11ms
Vibration	1.48/1.90/2.24 g rms for XYZ/ 5-500Hz
IP rating	Front IP65
<b>Certification</b>	
Certification	CE, FCC
<b>IO Ports</b>	
USB Port	1 x USB for Touch Screen
Video	1 x VGA 1 x HDMI (Optional) 1 x DVI (Optional)
<b>Mechanical</b>	
Dimension	189.4 x 145.4 x 39.8 mm
Enclosure	Aluminum
Mounting	VESA Mount/ Panel Mount
Cooling System	Fanless Design
<b>Accessory</b>	
Accessory	1 x VGA cable 1 x HDMI cable 100~240V AC to DC Adapter Power Cord Manual VESA screws (Varies by product)
Optional Accessory	Remote Controller (Optional, Varies by product)
<b>Power</b>	
Power Rating	12V DC Input
<b>Control</b>	
Button	5 Keys: , + , Power , Esc , Enter

*\*Specifications subject to change without notice, not responsible for typographical errors.*

## MECHANICAL DRAWING:

*This is subject to change without Notice. Final Drawings Will be Provided for Approval after Order.*



Drawing No.: WRDW0700HB-TFP-04042022-V1