

FULL IP67 PANEL PC

15" Rugged Full IP67 Panel PC, 1024x768, 1000nits, Intel i5-7200U 2.5 GHz w/ Aluminum Die-Casting Housing, VESA mount and Resistive Touch

Model: WRDPC1500HB-i5-TR-V1



FEATURES:

- 7 Generation (kaby Lake) Intel® Core™ i5-7200U 2.5GHz (turbo to 3.1GHz) Vehicle Mount Panel PC
- High Quality 15" Panel, 1024*768 resolution, 1000 nits
- Front IP65 Dust/ Water proof design with VESA mount
- Aluminum Housing with Anti-Corrosion Treatments
- Built-in ambient Light sensor
- Wide Range 9 to 36V DC Input with isolation
- Optional 6-60V DC Input, and Optional for Ignition On/Off delay
- 5 Wire Resistive Touch / Anti-Reflective Protection Glass (Optional)
- Optional GPS, WWAN/WLAN(Either one). GPIO/Canbus(Either one)

SPECIFICATIONS

SYSTEM SPECIFICATION			
Processor	Intel® Core™ i5-7200U (3M Cache, GHz) up to 3.10 Intel® Core™ i5-7300U (3M Cache, GHz) up to 3.50	Memory	4GB
Storage	256GB	Ethernet controller	2 x Intel® Ethernet Controller
Security	TPM2.0	Operating System	Windows 10 IoT Value
WLAN	Support (Optional)	BT	Support (Optional)
WWAN	WWAN (Optional)		
DISPLAY			
Touch / Glass	Resistive Touch Screen Protection Glass Without Touch Function (Optional)	Optional function	High brightness Panel for sunlight readable (Optional)
Resolution	1024x768	Size	15 inches
Contrast Ratio	2000:1	Panel Brightness	300 nits 1000 nits(Optional)
View Angles	88,88,88,88	Active Area	304.1x228.1 mm
MECHANICAL			
Dimension	398 x 308 x 58 mm	Mounting	VESA Mount Yoke Mount
Enclosure	Aluminum Housing	Cooling System	Fanless design
ENVIRONMENT			
Operating Humidity	10% to 90% (non-condensing)	Operating Temperature	-10~55°C
Storage Temperature	-30~70°C	Shock	MIL-STD-810G Method 514.6 (Optional)
Vibration	MIL-STD-810G Method 514.6	IP rating	Front IP65
CERTIFICATION			
Certification	CE, FCC		

*Specifications subject to change without notice, not responsible for typographical errors.



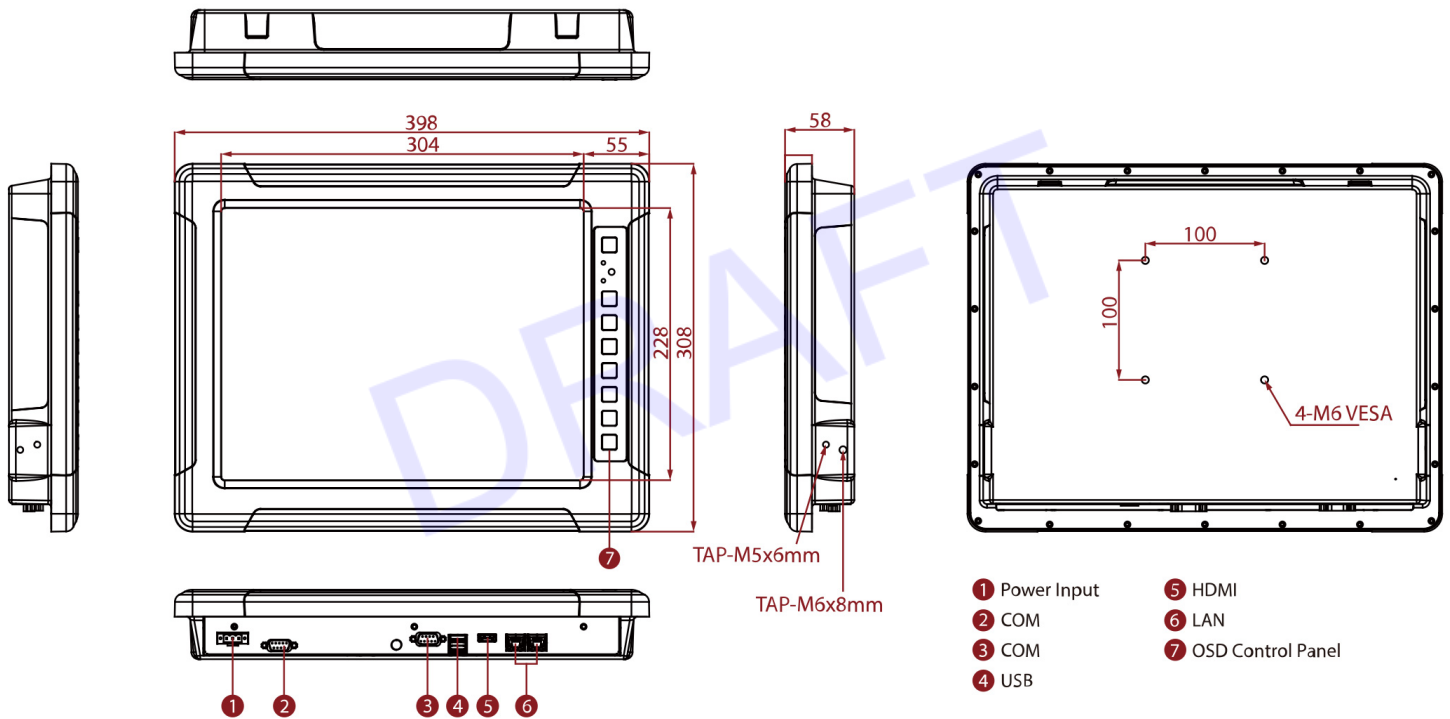
i-Tech Company LLC
EMAIL: info@iTechLCD.com • WEB: www.iTechLCD.com

Modified Date: 07-20-2022

IO PORTS			
Power Input	1 x 9-36V DC, 3-Pin Terminal Block	USB Port	2 x USB3.0 (Type-A)
Serial Port	1 x RS232/422/485 (Default RS232) 1xRS232	Video	1 xHDMI 1.4 (Optional)
Expansion Port	2 x M.2 slot(1 for WiFi, 1 forSSD)	LAN	2 x Giga LAN RJ45 Connector
Indicator	1 x LED Indicator for power 1 x LED Indicator for storage	DIDO	Terminal block with digital 4 in / 4 out (Either of DIDO/CANBUS)
CANBUS	Terminal block with 2 channel CANBUS (Either of DIDO/CANBUS)		
CONTROL			
Button	1 x Power Button 1 x Reset Button 1 x Lock / Unlock front key function button 1 x Auto Dimming / Manually button 1 x Day / Night Mode button 1 x Brightness Up button 1 x Brightness Down button 1 x LED indicator brightness adjustment button 1 x Light sensor		
ACCESSORY			
Accessory	Open Wire Cable with terminal block connector Driver CD & Manual VESA screws	Optional Accessory	Yoke mount stand (Optional) 100-240V AC to DC Adapter with power cord (Optional)

MECHANICAL DRAWINGS UNIT: MM

This is subject to change without Notice. Final Drawings Will be Provided for Approval after Order.



Drawing No.: WRDPC1500HB-i5-TR-V1-07192022-
V1