

# MILITARY PANEL PC

Military Grade Rugged Portable Panel PC Intel Atom  
 8.4" Full NEMA4 Wide Temperature and Dust/water resistant  
 Protection. CPU: Intel Celeron N2930 1.83Ghz  
 4GB RAM, 128GB SSD, Windows 10 IoT Enterprise, 12VDC in  
 38999/1 Power connector with Resistive Touch



**Model: WMRDPC0840-N29**

## FEATURES:

- Defence Grade Power Connector
- Ultra Low Power and High Performance Intel Celeron Bay Trail N2930 1.83 GHz
- Fanless Design
- High Quality 8.4" Panel, 800 x 600 Resolution
- Full IP65 Dust/water resistant Protection (Except I/O parts)
- Aluminum Housing with Anti-Corrosion Treatments
- Anti-Shock and Vibration Standard according to MIL-STD-810F/G & IEC60068-2-27
- 5 Wire Resistive Touchscreen
- 802.11 a/b/g/n Wireless LAN with Antenna (Optional)
- Wide Range 9 to 36 V DC Input (Optional)

## SPECIFICATIONS

DISPLAY			
Resolution	800x600	Size	8.4 inches
Contrast Ratio	600:1	Panel Brightness	600 nits
View Angles	75,75,60,70	Active Area	170.4x127.8 mm
Touch / Glass	5 Wires Resistive Touch		
SYSTEM SPECIFICATION			
Processor	Intel Celeron N2930 1.83GHz (up to 2.16GHz)	Memory	4GB SODIMM, DDR3L 1600 MHz
Storage	128GB SSD	Ethernet controller	2 x Intel® Ethernet Controller
WLAN	Support (Optional)	Operating System	Windows 10 IoT Enterprise (64 bit)
BT	Support (Optional)		
ENVIRONMENT			
Operating Humidity	10% to 95% RH	Operating Temperature	-20°C ~ 60°C
Storage Temperature	-30°C~70°C	Shock	Operating:30g for 18ms
Vibration	Operating: 1.60/1.96/2.18 g rms for XYZ / 5500Hz		
CERTIFICATION			
Certification	CE, FCC		
IO PORTS			
USB Port	1 x USB2.0 1 x USB3.0	Serial Port	1 x RS232(Default)/422/485
LAN	2 x RJ45	Video	1 x HDMI (Optional)
Indicator	1 x PWR LED 1 x HDD LED		
MECHANICAL			
Dimension	277 x 219.5 x 59.7 mm	Mounting	VESA Mount
Enclosure	Metal Housing with Aluminum Bezel	Cooling System	Fanless Design
Weight	2.3 kg		
POWER			
Power Rating	12V DC (MILDTL38999/1 connector)		
CONTROL			
Button	4 Keys: Power, Brightness Up, Brightness Down, Reset		
ACCESSORIES			
Accessories	User Manual, Driver CD and User Manual, Touch Driver CD, Open Wire Cable, 100~240V AC to DC Adapter, Power Cord		

*\*Specifications subject to change without notice, not responsible for typographical errors.*

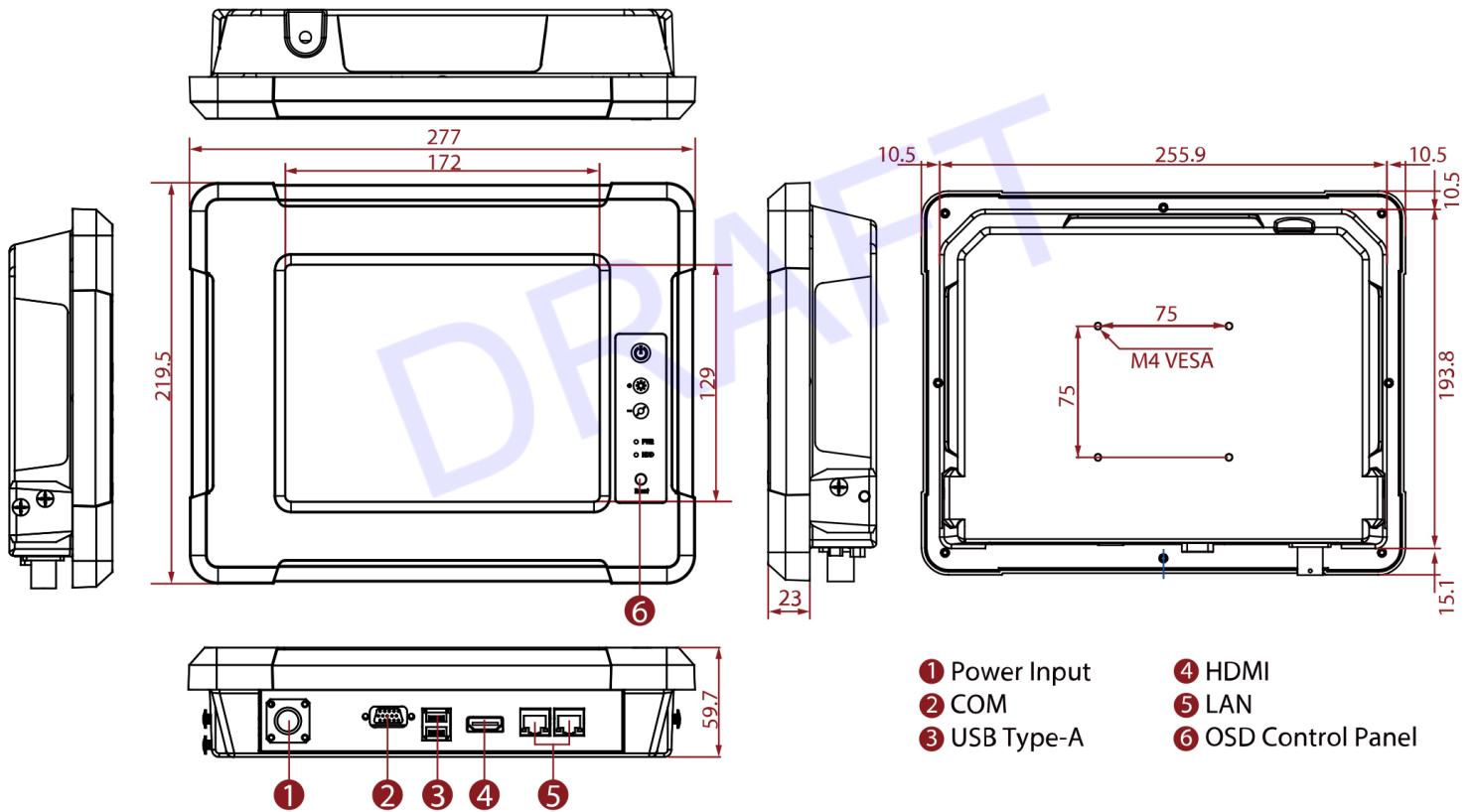
Modified Date: 01-04-2024

COMPLIANCE			
MILSTD 461E/F/G	RE101 / RE102 CE101 / CE102 CS118 with EMI Glass / Touch(Optional) RS101 / RS 103 CS101 / CS 106 / CS 109 / CS 114 / CS 115 / CS 116	MILSTD 810G	Vibration Method 514.6 Humidity Method 507.4 Transit Drop Method 516.5

## MECHANICAL DRAWINGS

*This is subject to change without Notice. Final Drawings Will be Provided for Approval after Order.*

UNIT: MM



Drawing No.: WMRDPC0840-N29-01042024