

INDUSTRIAL PANEL PC - PoE

7" TFT SVGA Panel PC with Integrated VGA, Dual-channel 24-bit LVDS, HDMI, Intel Celeron N2930, 4GB, 128GB, Window 10 IoT & PoE

Model: WPM700-PoE



FEATURES:

- 7" TFT SVGA LCD
- Intel® Celeron® N2930 Quad Core 1.83 GHz Processor
- 1 x SODIMM, max. 8 GB DDR3L 1600
- Integrated VGA, Dual channel 24bit LVDS, HDMI
- 2 x Gigabit Ethernet
- 1 x SATA, 1 x USB 2.0, 1 x USB 3.0, 1 x HDMI, 2 x COM, 1 x Mini PCIe slot

SPECIFICATIONS

Display			
Resolution	1024x600	Size	7 inches
Contrast Ratio	1000:1	Panel Brightness	320 nits
View Angles	75,75,75,70	Active Area	153.6x90 mm
Touch / Glass	Resistive Touch Screen (Optional) Protection Glass Without Touch Function (Optional)		
System Specification			
Processor	Intel Celeron N2930 1.83GHz (up to 2.16GHz)	Memory	1 x SODIMM, DDR3L 1600 MHz, 4GB 8GB (Optional)
Storage	1 x mSATA SSD 128GB. mSATA SSD up to 512GB. (Optional)	Operating System	Windows 10 IoT Enterprise (64 bit) Linux Ubuntu 20.04 (Optional)
Ethernet controller	2 x Intel® Ethernet Controller	WLAN	Support (Optional)
BT	Support (Optional)		
Mechanical			
Dimension	218 x 164.6 x 55.3 mm	Mounting	Panel Mount VESA Mount
Enclosure	Metal Housing	Cooling System	Fanless design
Cut out	192 x 133mm		
Environment			
Operating Humidity	10% to 90% (non condensing)	Operating Temperature	0~50°C
Storage Temperature	-20~60°C	Shock	MIL-STD-810G Method 516.6
Certification			
Certification	CE, FCC		
IO Ports			
Power Input	1 x 12V DC, 2.5φ DC jack	USB Port	1 x USB3.2 Gen1x1 (TypeA) 1 x USB2.0 (TypeA)
Serial Port	1 x RS232/422/485 (Default RS232) 1 x RS232	Video	1 x HDMI 1.4 (Optional)
Audio	2 x Speaker	Expansion Port	1 x mPCIe slot(for half size Wifi module)
LAN	2 x Giga LAN RJ45 Connector	Indicator	1 x LED Indicator for power 1 x LED Indicator for storage
Brightness Knob	1 x Brightness Adjustment Knob	mini PCIe	1 x Mini PCIe(For WLAN)
Control			
Button	1 x Power Button 1 x Reset Button		
Accessories			
Accessories	100~240V AC to DC Adapter Power Cord VESA screws Mounting clips		
Power			
Power Rating	12V DC	Adapter	12V 50W

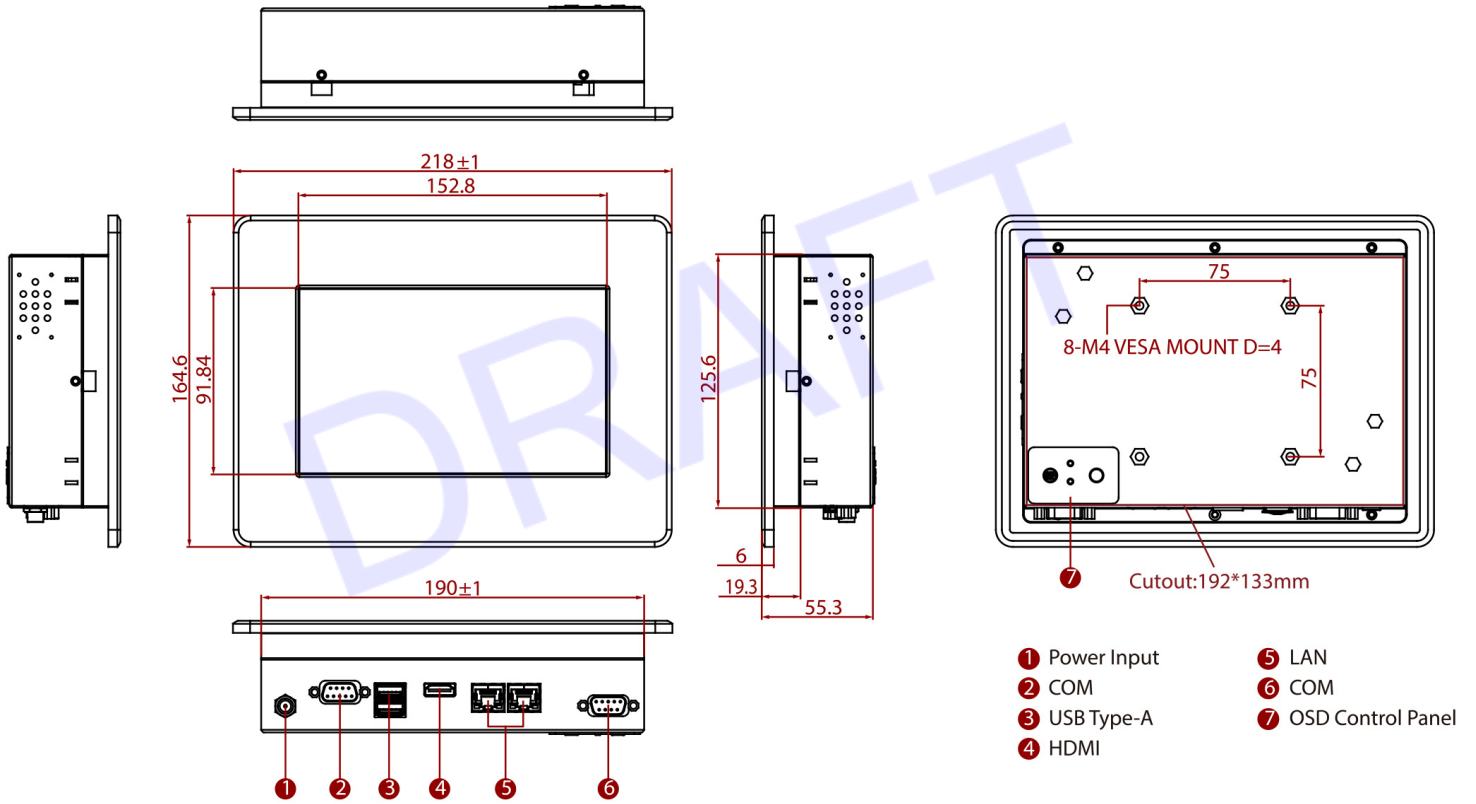
*Specifications subject to change without notice, not responsible for typographical errors.

Modified Date: 06-21-2023

MECHANICAL DRAWINGS

This is subject to change without Notice. Final Drawings Will be Provided for Approval after Order.

UNIT: MM



Drawing No.: WPM700-PoE-06212023-V1