

Marine PANEL Mount Display

Model: WPM-MAR-W2400A1-ST02



Rugged 24" Marine Panel Mount LCD Display IP65 1920x1080, 250nits, 0-100% Dimming, wide Temp -10 to 55C, RS232 Control, VGA+DVI-D, AC Power Input (90 to 265V AC Power Input) , No touch, with Glass (3mm Anti-reflective Glass) and added Front Handles

FEATURES:

- Dimming knob control backlight brightness from nearly 0% to 100%
- Ease of use front panel OSD control Marine Display
- Enhanced shock and vibration resistance
- AR Protection Glass
- IP66 aluminum housing with powder coating design (IP54 rear)



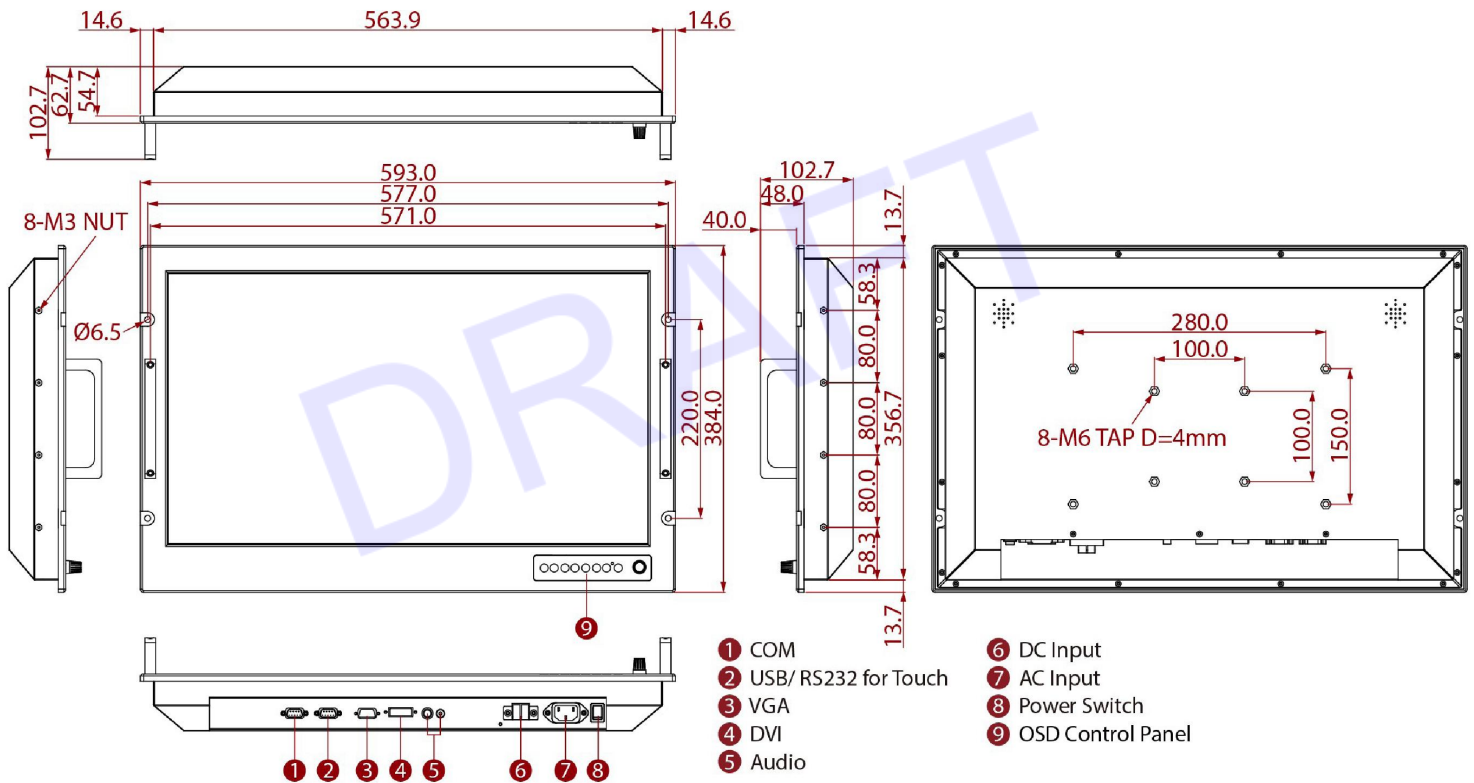
SPECIFICATIONS

DISPLAY			
Resolution	1920x1080	Size	24 inches
Contrast Ratio	5000:1	Panel Brightness	250 nits
View Angles	89,89,89,89	Active Area	531.36x298.89 mm
Touch / Glass	AR Glass	Display Color	16.7M Colors
ENVIRONMENT			
Operating Humidity	5% to 95%	Operating Temperature	-10~55°C
Shock	15G, 11ms duration	Vibration	0.7g@DNVGL CG-0339 (Class A)
IP rating	IP66 (Front Side)		
Certification			
Certification	IACSE10, IEC60945, DNVGLCG0339, FCC, CE		
MECHANICAL			
Dimension	593 x 356.7 x 62.7	Enclosure	Metal Housing with Aluminum Bezel
Mounting	VESA Mount/ Panel Mount	Cut out	566 x 362 mm
Cooling System	Fanless Design	Weight	9.7 kg
IO PORTS			
Video	1 x VGA 1 x DVID 1 x Composite 1 x SVideo	Serial Port	1 x RS232 for Remote Control 1 x RS232/USB for Touch Screen
POWER			
Power Rating	90 to 265V AC Power input	Consumption	50W (Typical)
ACCESSORIES			
Accessories	1 x User Manual. 1 x CD for Touchscreen Driver Tools. 1 x DVI Cable. 1 x VGA Cable. 1 x RS232 Serial Cable. 1 x SVideo Cable. 1 x Composite Cable.		
CONTROL			
Button	8 key: Esc/PIP / Auto adjustment / Left / Right/Source / OK/Menu / Up / Down / Power / 1 x The Dimming Knob		

**Specifications subject to change without notice, not responsible for typographical errors.*

MECHANICAL DRAWING

This is subject to change without Notice. Final Drawings Will be Provided for Approval after Order.



Drawing No.: WPM-MAR-W2400A1-ST02-04112023-V1

