

# Sunlight Readable Marine PANEL Mount Display

Design and test to meet DNV Standard for Certification 2.4, IEC60945

Model: WPM-MAR-1200M4HB-TR



**12.1" Marine Panel Mount LCD Display IP65, Rugged , 1024x768, 1000nits, 0-100% Dimming, wide Temp -15 ~ 55C and 24V DC-in with Isolation (Approval by Certificate) 9~36V DC Input Acceptable, 1x VGA, 1x DVI-D, 1x Composite 1x S-Video, 1x RS232 for Remote Control, w/ Resistive Touchscreen.**

## FEATURES:

- Dimming knob control backlight brightness from nearly 0% to 100%
- High brightness TFT-LCD Panel enhances the best visibility(Optional)
- IP66 aluminum housing with powder coating design (IP54 rear)
- 9 to 36V DC to DC power input acceptable (AC power for option)
- High quality touchscreen / AR protection glass for option
- PIP(picture in picture) function and multi-video inputs
- Ease of use front panel OSD control, High Brightness Marine Display
- Enhanced shock and vibration resistance



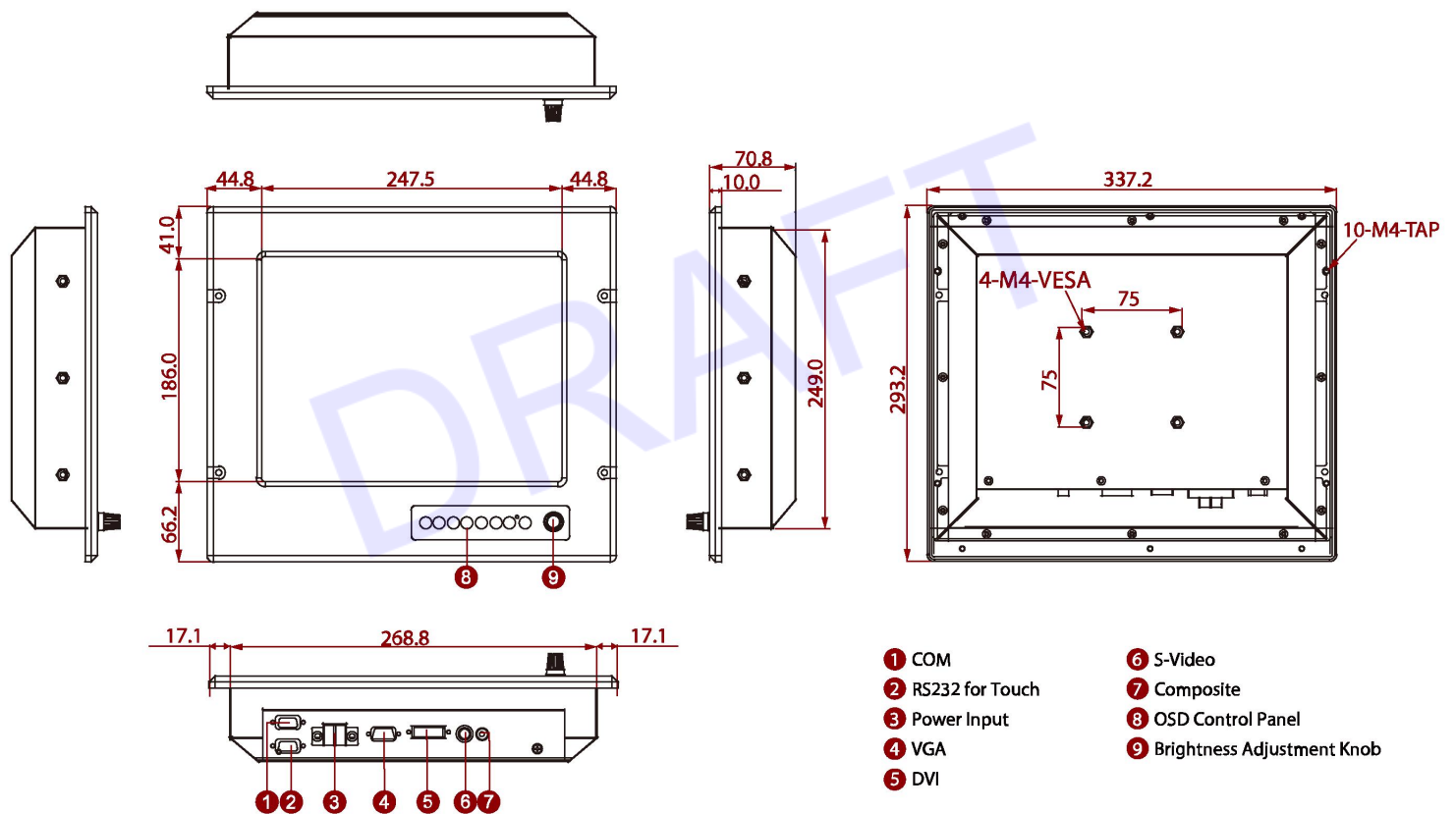
## SPECIFICATIONS

<b>Display</b>			
<b>Touch / Glass</b>	Resistive Touch Screen / AR Glass (Optional)		
<b>Resolution</b>	1024x768	<b>Size</b>	12.1 inches
<b>Contrast Ratio</b>	1000:1	<b>Panel Brightness</b>	1000 nits
<b>View Angles</b>	89,89,89,89	<b>Active Area</b>	245.76 x 184.32 mm
<b>Touch / Glass</b>	AR Glass (Optional)	<b>Display Color</b>	16.2M Colors
<b>Environment</b>			
<b>Operating Humidity</b>	5% to 95%	<b>Operating Temperature</b>	-15~55°C
<b>Shock</b>	15G,11ms duration	<b>Vibration</b>	0.7g@DNVGL CG-0339 (Class A)
<b>IP rating</b>	IP66 (Front Side)		
<b>Certification</b>			
<b>Certification</b>	CE, FCC		
<b>Mechanical</b>			
<b>Dimension</b>	337 x 293.2 x 70.8 mm	<b>Enclosure</b>	Metal Housing with Aluminum Bezel
<b>Mounting</b>	VESA Mount/ Panel Mount	<b>Cut out</b>	307 x 253mm
<b>Cooling System</b>	Fanless Design	<b>Weight</b>	4kg
<b>IO Ports</b>			
<b>Video</b>	1 x VGA 1 x DVI-D 1 x Composite 1 x S-Video	<b>Serial Port</b>	1 x RS232 for Remote Control 1 x RS232/USB for Touch Screen
<b>Power</b>			
<b>Power Rating</b>	24V DC-in with Isolation (Approval by Certificate) 9~36V DC Input Acceptable	<b>Consumption</b>	35W (Typical)
<b>Accessories</b>			
<b>Accessories</b>	1 x User Manual. 1 x CD for Touchscreen Driver Tools. 1 x DVI Cable. 1 x VGA Cable. 1 x RS232 Serial Cable. 1 x S-Video Cable. 1 x Composite Cable		

<b>Control</b>	
<b>Button</b>	8 key: Esc/PIP Auto adjustment Left Right/Source OK/Menu Up Down Power 1 x The Dimming Knob

## MECHANICAL DRAWING

*This is subject to change without Notice. Final Drawings Will be Provided for Approval after Order.*



Drawing No.: WPM-MAR-1200M4HB-TR-10132023-V1