

MILITARY GRADE RUGGED CONSOLE DISPLAY

23.8" 1920 x 1080, 250 nits Military Grade Rugged Console Display
 Compliant with military standard Compliant MIL-STD 810G/ MIL-STD 461E
 with AR Glass only (Non-Touch)
 - DC Power input (9-36V DC Power input)
 - Video Input: 1 xVGA, 5 xBNC (R,G,B,H,V), 1 xDVI-D



Model: WRMW2400HD-DC



FEATURES:

- 23.8", 1920 x 1080 resolution
- Compliant MIL-STD 810G/ MIL-STD 461E
- Rack mount mechanical design, supports VESA mount
- Military-grade power connector (MIL-DTL-38999/1)
- DC 9~36V, ±10%
- Convenient on-screen display controls

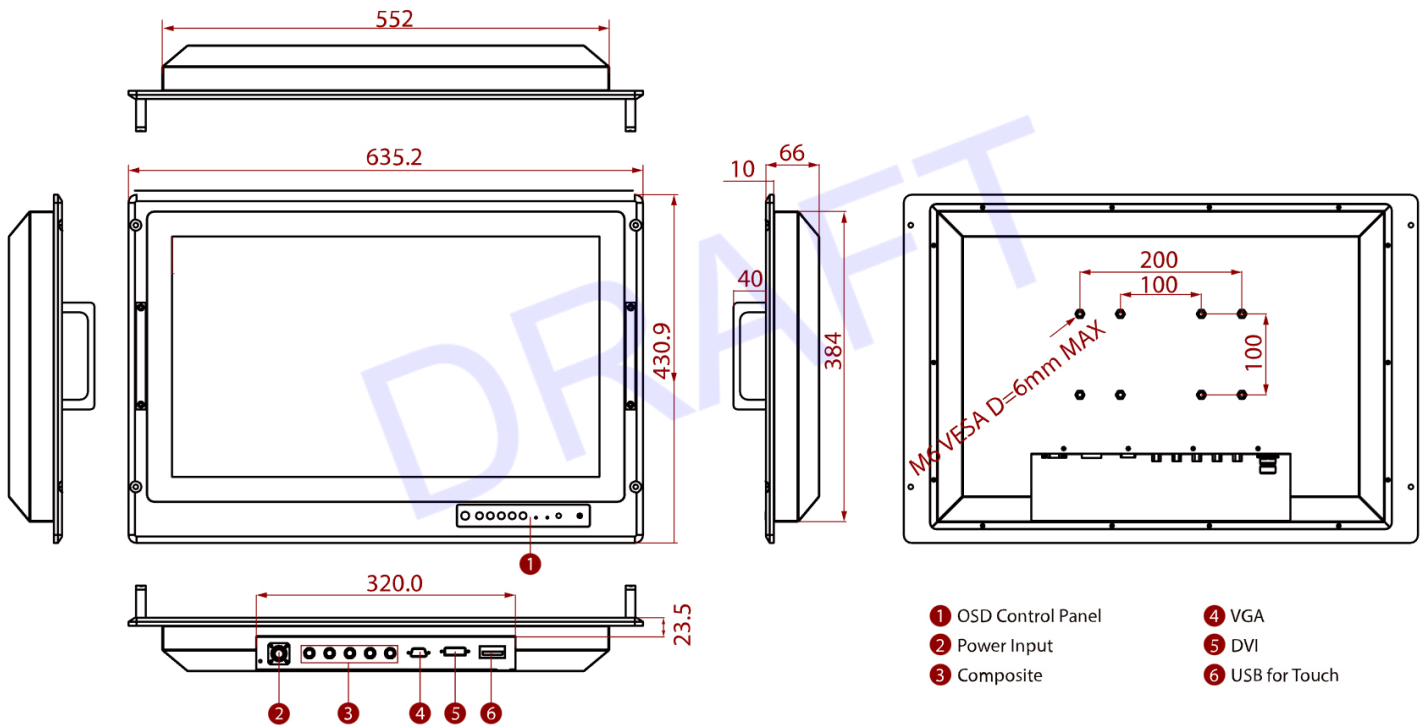
SPECIFICATIONS

DISPLAY			
Resolution	1920x1080	Size	23.8 inches
Contrast Ratio	3000:1	Panel Brightness	250 nits
Display Color	16.7M Colors	View Angles	89,89,89,89
Active Area	527.04x296.46 mm	Touch / Glass	Glass only
ENVIRONMENT			
Operating Humidity	10% to 95% RH	Operating Temperature	0 ~ 50°C
Storage Temperature	-10°C ~ 60°C		
COMPLIANCE			
MIL-STD 461E/F	RE101 / RE102 CE101 / CE 101 with EMI Glass / Touch(Optional) RS101 / RS 103 CS101 / CS 106 / CS 109 / CS 114 / CS 115 / S116	MIL-STD 810F/G	Vibration Method 514.5 Humidity Method 507.4 Transit Drop Method516.5
CERTIFICATION			
Certification	CE, FCC		
IO PORTS			
Video	1 x VGA 5 x BNC (R,G,B,H,V) 1 x DVI-D		
MECHANICAL			
Dimension	635.2 x 430.9 x 66 mm	Mounting	Rack Mount/ VESA Mount
Enclosure	Metal Housing with Aluminum Bezel	Cooling System	Fanless Design
Accessory	1 x User Manual(Hardcopy) 1 x Power Cord MIL-DTL-38999/1 1 x VGA Cable 1 x DVI Cable 1 x VGA to 5 BNC Shielding Cable		
POWER			
Power Rating	DC 9~36V, ±10%		
CONTROL			
Button	7 key: Power, Decrease, Increase, Exit/ Auto, Menu, Day/ Night, Lock/ Unlock		

*Specifications subject to change without notice, not responsible for typographical errors.

MECHANICAL DRAWINGS UNIT: MM

This is subject to change without Notice. Final Drawings Will be Provided for Approval after Order.



Drawing No.: WMRMW2400HD-DC-09162022-V1