

4K MILITARY GRADE RACKMOUNT DISPLAY

27" Rack Mount UHD 4K (3840 x 2160) Display, 300nits, Contrast Ratio 1000:1, 89/89/89/89, VGA+DVI+HDMI+DP Input with AR Protection Glass

Model: WMRMW2700K



FEATURES:

- 27" Display Featuring 4K UHD with Protective Glass and Rack Mount Defense Design (Native resolution: 3840x2160)
- MIL-STD 810G/ MIL-STD 461E Compliance
- Rack Mount Mechanical Design supporting VESA Mount
- AR Protection Glass for enhanced durability
- Military--grade Power Connector (MIL-DTL-38999/1)
- Power Input: AC 100240V, Universal, $\pm 10\%$; DC 936V, $\pm 10\%$ (Optional)
- Convenient On-Screen Display Controls for easy adjustments



SPECIFICATIONS

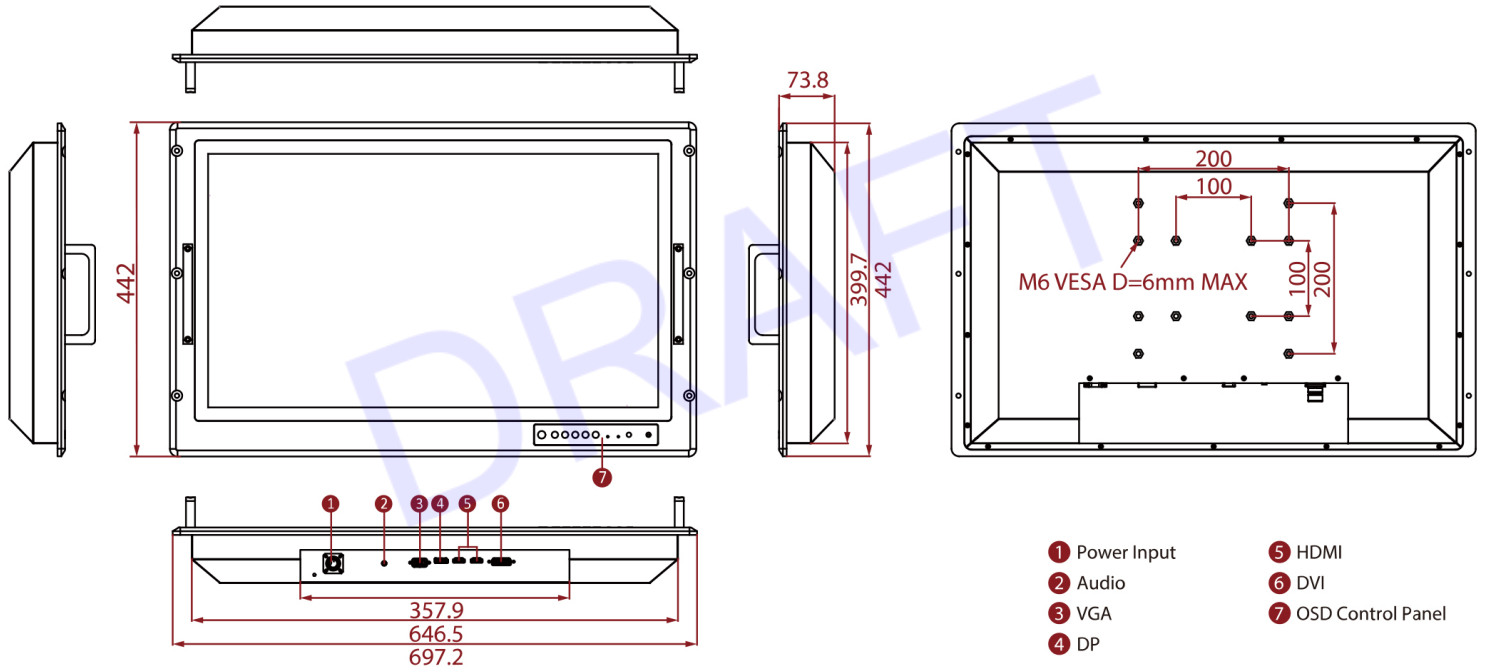
DISPLAY			
Touch / Glass	AR Protection Glass EMI ITO Glass (Optional)	Resolution	3840x2160
Size	27 inches	Contrast Ratio	1000:1
Panel Brightness	300 nits	Display Color	1.07B Colors
View Angles	89,89,89,89	Active Area	596.16x335.34 mm
CERTIFICATION			
Certification	CE, FCC		
ENVIRONMENT			
Operating Humidity	10% to 95% RH	Operating Temperature	0°C ~ 50°C
Storage Temperature	-25°C ~ 60°C		
COMPLIANCE			
MIL-STD 461E/F	RE101 / RE102 CE101 / CE102 CS118 with EMI Glass / Touch(Optional) RS101 / RS 103 CS101 / CS 106 / CS 109 / CS 114 / CS 115 / CS 116	MIL-STD 810F/G	Vibration Method 514.6 Humidity Method 507.4 Transit Drop Method516.5
IO PORTS			
USB Port	1 x USB for Touch Screen (Optional)		
Video	1 x VGA 1 x DVI 1 x Display Port 1.2 1 x HDMI 1.4 1 x HDMI 2.0	Audio	1 x Audio Line In (Optional)
MECHANICAL			
Dimension	697.2 x 442 x 73.9 mm	Mounting	VESA Mount/ Rack Mount
Enclosure	Metal	Cooling System	Fanless Design
Accessory	1 x User Manual(Hardcopy) 1 x Power Cord MIL DTL 38999/1 1 x VGA Cable 1 x DVI Cable 2 x HDMI Cable 1 x DP Cable	Optional Accessory	1 x Audio cable
POWER			
Power Rating	AC 100~240V, Universal, $\pm 10\%$ DC 9~36V, $\pm 10\%$ (Optional)		
CONTROL			
Button	7 key: Power, Decrease, Increase, Exit/ Auto, Menu, Day/ Night, Lock/ Unlock		

*Specifications subject to change without notice, not responsible for typographical errors.

Modified Date: 03-12-2024

MECHANICAL DRAWINGS UNIT: MM

This is subject to change without Notice. Final Drawings Will be Provided for Approval after Order.



Drawing No.: WMRMW2400K-03122024-V1