

4K MILITARY GRADE RACKMOUNT DISPLAY

27" 4K UHD PCAP Rack Mount Defence Display
(3840 x 2160) native resolution with Compliant
MIL-STD 810G/ MIL-STD 461E, AC 100~240V

Model: WRRMW2700K-PCAP



FEATURES:

- 27" Display with 4K UHD PCAP Rack Mount Defence Display (3840 x 2160) native resolution
- Compliant MIL-STD 810G/ MIL-STD 461E
- Rack mount mechanical design, supports VESA mount
- PCAP multi-touch screen
- Military-grade power connector (MIL-DTL-38999/1)
- AC 100~240V, Universal, $\pm 10\%$; DC 9~36V, $\pm 10\%$ (Optional)
- Convenient on-screen display controls



SPECIFICATIONS

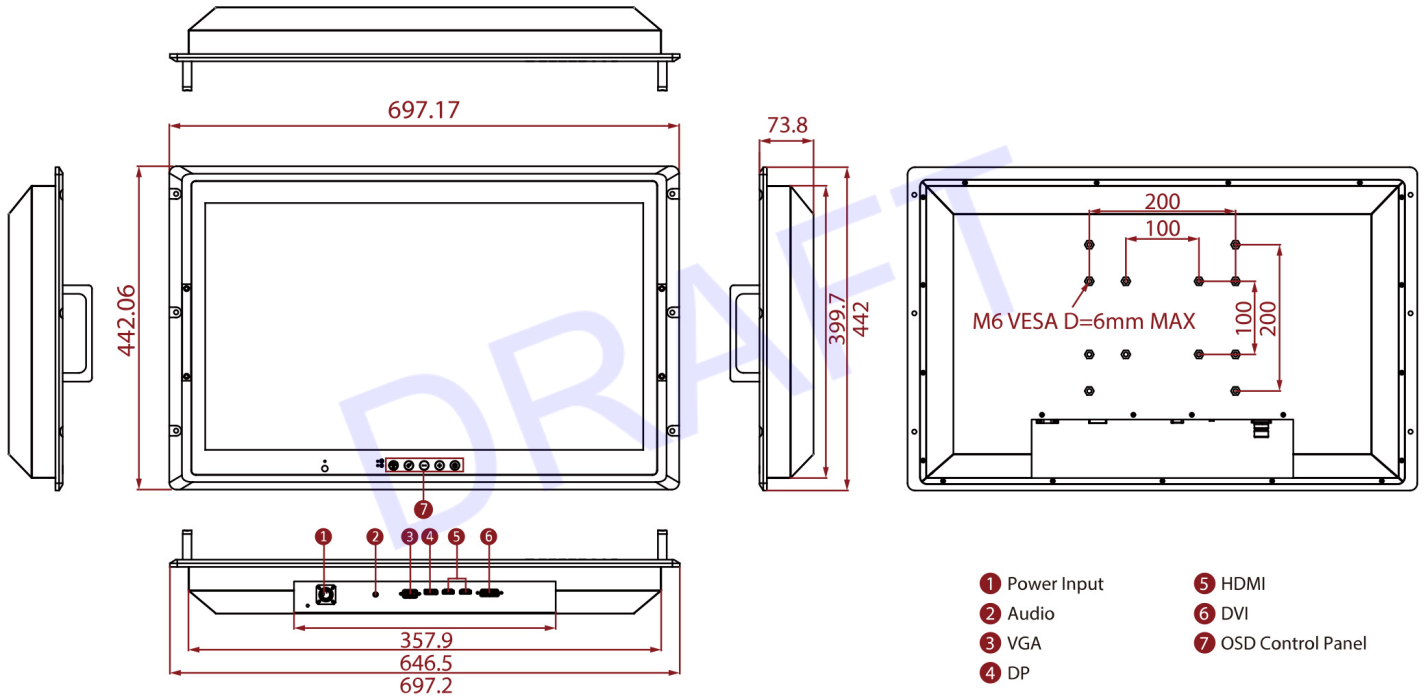
DISPLAY			
Touch / Glass	Projected Capacitive Multi Touch Screen PCAP with With ITO Flim (Optional)	Resolution	3840x2160
Size	27 inches	Contrast Ratio	1000:1
Panel Brightness	300 nits	Display Color	1.07B Colors
View Angles	89,89,89,89	Active Area	596.16x335.34 mm
ENVIRONMENT			
Operating Humidity	10% to 95% RH	Operating Temperature	0°C ~ 50°C
Storage Temperature	-25°C ~ 60°C		
COMPLIANCE			
MIL-STD 461E/F	RE101 / RE102 CE101 / CE 101 with EMI Glass / Touch(Optional) RS101 / RS 103 CS101 / CS 106 / CS 109 / CS 114 / CS 115 / CS116	MIL-STD 810F/G	Vibration Method 514.5 Humidity Method 507.4 Transit Drop Method516.5
CERTIFICATION			
Certification	CE, FCC		
IO PORTS			
USB Port	1 x USB for Touch Screen (Optional)	Serial Port	1 x RS232 for Remote Control (Optional)
Video	1 x VGA 1 x DVI 1 x Display Port 1.2 1 x HDMI 1.4 (Optional) 1 x HDMI 2.0 (Optional)	Audio	1 x Audio Line In (Optional)
MECHANICAL			
Dimension	697.2 x 442 x 73.8 mm	Mounting	VESA Mount/ Rack Mount
Enclosure	Metal	Cooling System	Fanless Design
Accessory	1 x User Manual(Hardcopy) 1 x Power Cord MILDTL38999/1, 1 x VGA Cable 1 x DVI Cable , 2 x HDMI Cable, 1 x DP Cable	Optional Accessory	1 x Audio cable
POWER			
Power Rating	AC 100~240V, Universal, $\pm 10\%$ DC 9~36V, $\pm 10\%$ (Optional)		
CONTROL			
Button	7 key: Power, Decrease, Increase, Exit/ Auto, Menu, Day/ Night, Lock/ Unlock		

*Specifications subject to change without notice, not responsible for typographical errors.

Modified Date: 05-18-2022

MECHANICAL DRAWINGS UNIT: MM

This is subject to change without Notice. Final Drawings Will be Provided for Approval after Order.



Drawing No.: WMRMW2400K-PCAP-05182022-V1