

# MILITARY GRADE RACKMOUNT LCD

24" 1920x1200, 300nits Military Grade Rugged Protective Glass Defense Display Compliant with military standard MIL-STD 810G/ MIL-STD 461E



**Model: WMRMW2400**



## FEATURES:

- Compliant MIL-STD 810G/ MIL-STD 461E, Rack Mount Defence Display
- Rack mount mechanical design, supports VESA mount
- High image quality, 1920 x 1200 pixels resolution
- AR protection glass
- Military-grade power connector (MIL-DTL-38999/1)
- AC 100~240V, Universal, ±10%; DC 9~36V, ±10% (Optional)
- Resistive Touch (Optional)
- Build-in Light Sensor for Auto Brightness Control

## SPECIFICATIONS

DISPLAY			
Resolution	1920x1200	Size	24 inches
Contrast Ratio	1000:1	Panel Brightness	300 nits
Display Color	16.7M Colors	View Angles	89,89,89,89
Active Area	518.4x324.0 mm	Touch / Glass	AR Protection Glass EMI ITO Glass (Optional) 5-wire Resistive Touch (Optional) 5-wire Resistive Touch with EMI Mesh Filter (Optional)
ENVIRONMENT			
Operating Humidity	10% to 95% RH	Operating Temperature	0°C ~ 50°C
Storage Temperature	-10°C ~ 60°C		
COMPLIANCE			
MIL-STD 461E/F	RE101 /RE102 CE101 /CE102 with EMI Glass / Touch(Optional) RS101 /RS103 CS101 /CS 106/CS 109/CS114/CS115/CS116	MIL-STD 810F/G	Vibration Method 514.5 Humidity Method 507.4 Transit Drop Method516.5
CERTIFICATION			
Certification	CE, FCC		
IO PORTS			
Video	1 x 15 Pin D-Sub 5 x BNC 1 x DVI-D		
MECHANICAL			
Dimension	609.5 x 399.3 x 76.2 mm	Mounting	VESA Mount/ Panel Mount
Enclosure	Metal Housing with Aluminum Bezel	Cooling System	Fanless Design
POWER			
Power Rating	AC 100-240V, Universal, ±10% DC 9-36V, ±10% (Optional)		

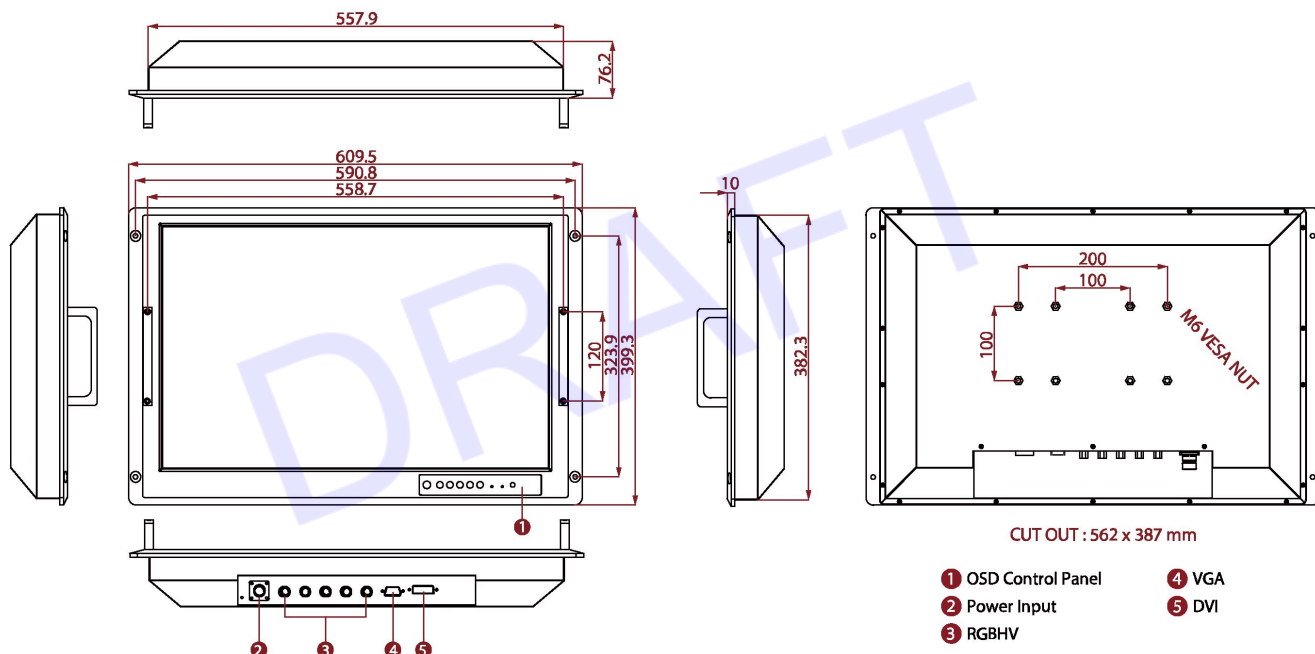
\*Specifications subject to change without notice, not responsible for typographical errors.



ACCESSORY	
Accessory	1 x User Manual(Hardcopy) 1 x Power Cord MILDTL38999/1 1 x VGA Cable 1 x DVI Cable 1 x VGA to 5 BNC Shielding Cable
CONTROL	
Button	7 key: Power Decrease Increase Exit/ Auto Menu Day/ Night Lock/ Unlock

## MECHANICAL DRAWING

*This is subject to change without Notice. Final Drawings Will be Provided for Approval after Order.*



Drawing No.: WMRMW2400-09152022-V1

## OSD LOCATION

