

# RACKMOUNT MILITARY LCD

9U Military Grade Rugged 20.1" Rackmount LCD 1600x1200 300nits with AR coating Glass, Back Panel I/O Port, 1 xAC Power input (Military grade) 5 x BNCs (R,G,B,H,V), 1 xVGA, 1 xDVI-D, 1 xRS-232, AC 100~240V, Universal  $\pm 10\%$  w/ AR Coating Glass



**Model: WMRM920**

## FEATURES:

- Rack mount mechanical design, supports VESA mount
- High image quality, 1600 x 1200 pixels resolution
- AR protection glass
- Military-grade power connector (MIL-DTL-38999/1)
- AC 100~240V, Universal,  $\pm 10\%$ ; DC 9~36V,  $\pm 10\%$  (Optional)
- Resistive Touch (Optional)
- Build-in Light Sensor for Auto Brightness Control
- MIL-STD-810F Method 514.5 Vibration
- MIL-STD-810F Method 516.5 Shock

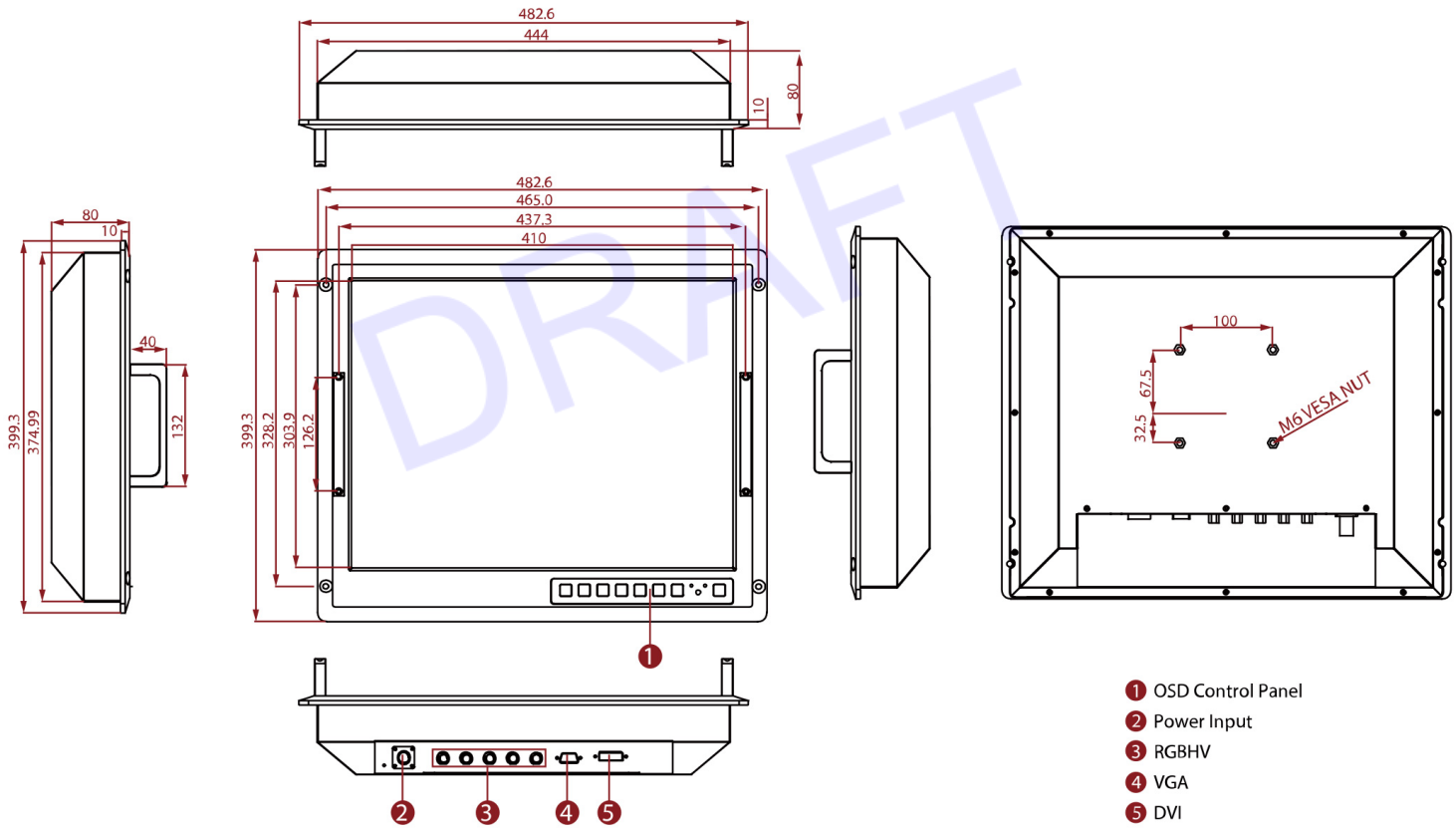
## SPECIFICATIONS:

Display	
Touch / Glass	Protection Glass
Resolution	1600x1200
Size	20.1 inches
Contrast Ratio	1400:1
Panel Brightness	300 nits
Display Color	16.7M Colors
View Angles	85,85,85,85
Environment	
Operating Humidity	10% to 95% RH
Operating Temperature	-33°C ~ 63°C
Storage Temperature	-10°C ~ 60°C
Compliance	
MILSTD 461E/F	RE101 / RE102 CE101 / CE102 with EMI Glass / Touch(Optional) RS101 / RS 103 CS101 / CS 106 / CS 109 / CS 114 / CS 115 / CS 116
MILSTD 810F/G	Vibration Method 514.5 Humidity Method 507.4 Transit Drop Method 516.5
Certification	
Certification	CE, FCC
IO Ports	
Video	1 x 15 Pin DSub 5 x BNC 1 x DVI-D
Mechanical	
Dimension	482.6 x 399.3 x 80 mm
Enclosure	Metal Housing with Aluminum Bezel
Mounting	Rack Mount/ VESA Mount
Cooling System	Fanless Design
Power	
Power Rating	AC 100~240V, Universal, $\pm 10\%$ DC 9~36V, $\pm 10\%$ (Optional)
Accessory	
Accessory	1 x User Manual(Hardcopy) 1 x Power Cord MIL-DTL-38999/1 1 x VGA Cable 1 x DVI Cable 1 x VGA to 5 BNC Shielding Cable
Control	
Button	8 key: Power, Menu, Auto, Volume Up/ Swap, Volume Down/ PIP, Brightness Up, Brightness Down, LED Adjustment

*\*Specifications subject to change without notice, not responsible for typographical errors.*

## MECHANICAL DRAWING:

*This is subject to change without Notice. Final Drawings Will be Provided for Approval after Order.*



- ① OSD Control Panel
- ② Power Input
- ③ RGBHV
- ④ VGA
- ⑤ DVI

Drawing No.: WMRM920-04122022-V1