

MILITARY CONSOLE RACK PANEL PC

17" Military Console Rack Fanless Panel PC with Intel Celeron N2930
2.16 GHz, 4GB RAM, 256 SSD, Windows 10 IoT MIL-STD-810G/F
Compliant and Resistive Touch

Model: WMPC1700-C-TR-V1



FEATURES:

- 17" SXGA TFT LCD
- Intel Celeron® N2930 2.16 GHz Processor
- Anti Corrosion Housing / Fanless
- Fanless cooling system
- Compliant with MILSTD810G/F
- Flush Rack / Rack Mount Mechanical Design (8U)
- Convenient On Screen Display Controls
- AC 110~240 V Power input default
- Isolation DC 9~36 V Power input (Optional)
- Built-in light sensor for auto brightness control
- Military Grade Power Connector (MILDTL38999/1)

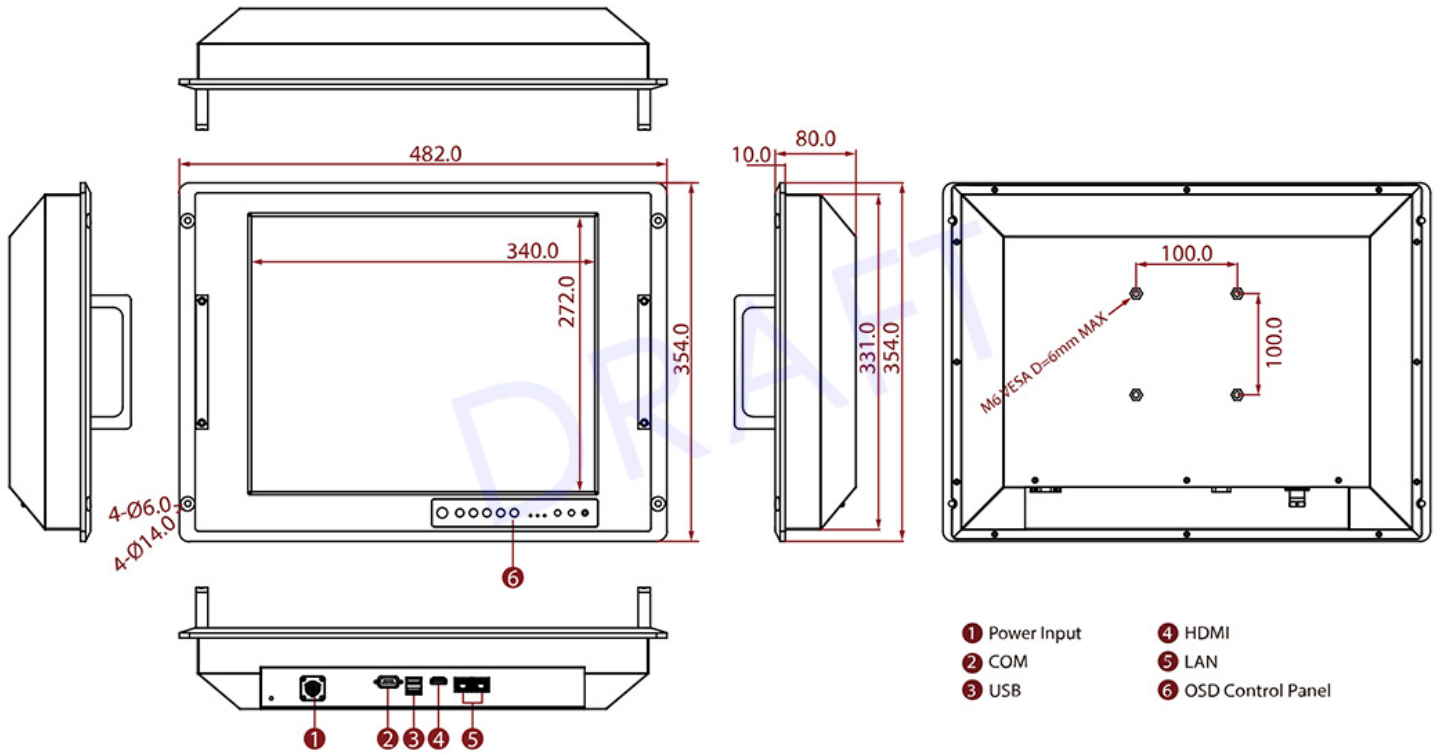
SPECIFICATIONS

DISPLAY			
Resolution	1280x1024	Size	17.0 inches
Contrast Ratio	1000:1	Panel Brightness	350 nits
View Angles	85,85,80,80	View Angles	88,88,88,88
Touch / Glass	AR Protection Glass 5 Wires Resistive Touch (Optional) 5 Wire Resistive with EMI Mesh Filter (Optional) EMI Glass (Optional)		
SYSTEM SPECIFICATIONS			
Processor	Intel® Celeron® N2930 (2M Cache, up to 2.16 GHz)	Memory	4GB
Storage	256GB SSD	Ethernet controller	2 x Intel® Ethernet Controller I210AT
Security	TPM 2.0	Operating System	Windows 10 IoT
ENVIRONMENT			
Operating Humidity	10% to 95% RH	Operating Temperature	-20°C ~ 60°C
Storage Temperature	-30°C ~ 70°C		
CERTIFICATION			
Certification	CE, FCC		
COMPLIANCE			
MIL-STD 461E/F	RE101 / RE102 CE101 / CE 101 with EMI Glass / Touch(Optional) RS101 / RS 103 CS101 / CS 106 / CS 109 / CS 114 / CS 115 / CS 116	MIL-STD 810F/G	Vibration Method 514.5 Humidity Method 507.4 Transit Drop Method516.5
IO PORTS			
USB Port	1 x USB2.0 1 x USB3.0	Serial Port	1 x RS232(Default)/422/485
Video	1 x HDMI (Optional)	LAN	2 x RJ45
MECHANICAL			
Dimension	482 x 354 x 80 mm	Mounting	VESA Mount/ Rack Mount
Enclosure	Metal Housing with Aluminum Bezel	Cooling System	Fanless Design
Accessory	User Manual (Hardcopy) CDROM with Driver Utility Power Cord MILDTL38999/1		
POWER			
Power Rating	AC 100~240V		
CONTROL			
Button	8 Key OSD Control Pad: Power, Brightness DOWN, Brightness UP, Night, Day, Auto / Manual, Reset, Lock		

*Specifications subject to change without notice, not responsible for typographical errors.

MECHANICAL DRAWINGS UNIT: MM

This is subject to change without Notice. Final Drawings Will be Provided for Approval after Order.



Drawing No.: WMPC1700-C-TR-V1-09142022-V1