

# TRUE FLAT STAINLESS STEEL ENCLOSURE

21.5" 1920x1080 True Flat Front Bezel Grade 304, 1000nits  
VGA+HDMI, IP69K/IP67 M12 Stainless Connectors  
with Full Flat Resistive Touch

MODEL: WCHW2150HB-P

## FEATURES:

- Grade 304 True Flat Front Bezel
- IP69K/IP67 Rated Stainless Steel M12 Connectors
- Durable Stainless Steel Enclosure
- Touch On/Off Button Positioned at the Bottom for Hygienic Cleaning
- 100% Water and Dustproof Guarantee
- Downward-Facing I/O for Easy Installation and Space Efficiency
- Compliant with EMC Class B Standards
- Resistive Flat
- Included VGA+HDMI cable
- Included M12 USB touch cable
- USB touch ; 1x VGA-in + HDMI-in ; IP67 Power Adapter

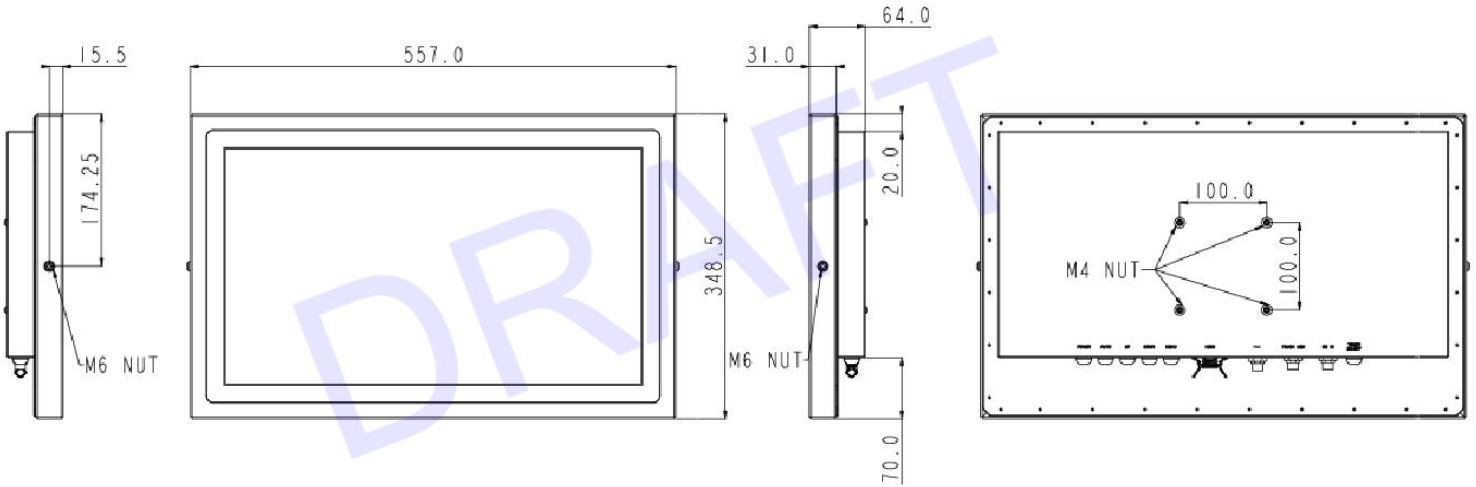
## SPECIFICATIONS

|                 |                                     |  |
|-----------------|-------------------------------------|--|
| Display         | Size                                | 21.5" 16:9   |
|                 | Resolution (pixel)                  | 1920 x 1080 (Full HD)  |
|                 | Number of Colors                    | 16.7M colors   |
|                 | View Angle (H/V)                    | 170(H) / 160(H)  |
|                 | Brightness(cd/m <sup>2</sup> , nit) | 1000 nits  |
|                 | Contrast Ratio                      | 1000:1 (Typ)   |
| Touch Panel     | Type                                | Full flat resistive touch panel  |
|                 | Light Transmission                  | 80 ± 5%  |
|                 | Lifetime                            | 35M times  |
| I/O Ports       | USB                                 | 1 x M12 8pin for touch screen  |
|                 | Video                               | 1 x VGA input 1 x HDMI 1.4a input  |
|                 | Control Keys                        | Menu: OSD on and enter<br>Down: move down for selecting<br>Up: move up for selecting<br>Auto: OSD off, and source change<br>Touch Screen: on/off |
| Power           | Power input                         | DC 12V, 1 x M12 5pin Power Connector, Range 12-24V   |
|                 | Power adapter                       | AC input 90 ~ 264V / 47 ~ 63 Hz / DC output 12V, IP67, 60W/5A  |
| Environmental   | Temperature                         | Operating Temperature 0~50°C<br>Storage Temperature -30~70°C   |
|                 | Humidity                            | Operating & Storage: 10 ~ 90%, non-condensing  |
|                 | Water/Dust resistance               | IP66 / NEMA4X IP69K / NEMA6 (Options for IP67)   |
|                 | Housing                             | SUS304 stainless steel enclosure, chassis type   |
|                 | Dimensions (Net: mm)                | 557 x 348.5 x 64   |
| Characteristics | Weights (Net: kg))                  | 11kg   |
|                 | Mounting                            | VESA 100*100, Side Mount (M6 x 2)  |
| Certification   | FCC/ CE (EMC)/ V                    | CCI Class B (VGA port) ; Class A (HDMI port), Canada ICES-003  |

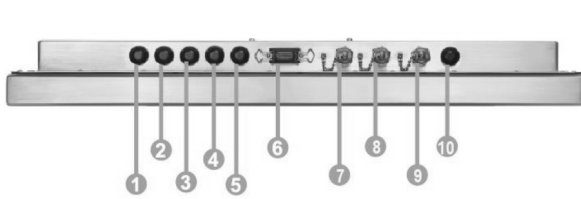
\*Specifications subject to change without notice, not responsible for typographical errors.

## MECHANICAL DRAWINGS:

*This is subject to change without Notice. Final Drawings Will be Provided for Approval after Order.*



Drawing No.: WCHW2150HB-P-12022024-V1



- |         |                 |
|---------|-----------------|
| ① Power | ⑥ HDMI          |
| ② Auto  | ⑦ VGA port      |
| ③ Up    | ⑧ USB for touch |
| ④ Down  | ⑨ DC-in         |
| ⑤ Menu  | ⑩ Touch on/off  |

