

Stainless Full IP65 LCD Monitor

15" Stainless Steel Full IP65 Flat Touch Monitor, 1024x768, 500nits, Resistive Touch Screen Bonding With Panel (Explosion-Proof) Class 1, Division 2 & ATEX Zone 2 application certification, ATEX

MODEL: WCH1500-C1D2-V2



FEATURES:

- Class 1, Division 2 & ATEX Zone 2 application certification, ATEX LCD Monitors
- 15" 1024 x 768, 550 nits (Optional 1000 nits) LCD Panel
- Explosion-proof 5-wire resistive touch
- Stainless steel design
- IP65 Certified, dust-proof and water-resistant
- Wide temperature range -20°C to 50°C



SPECIFICATIONS:

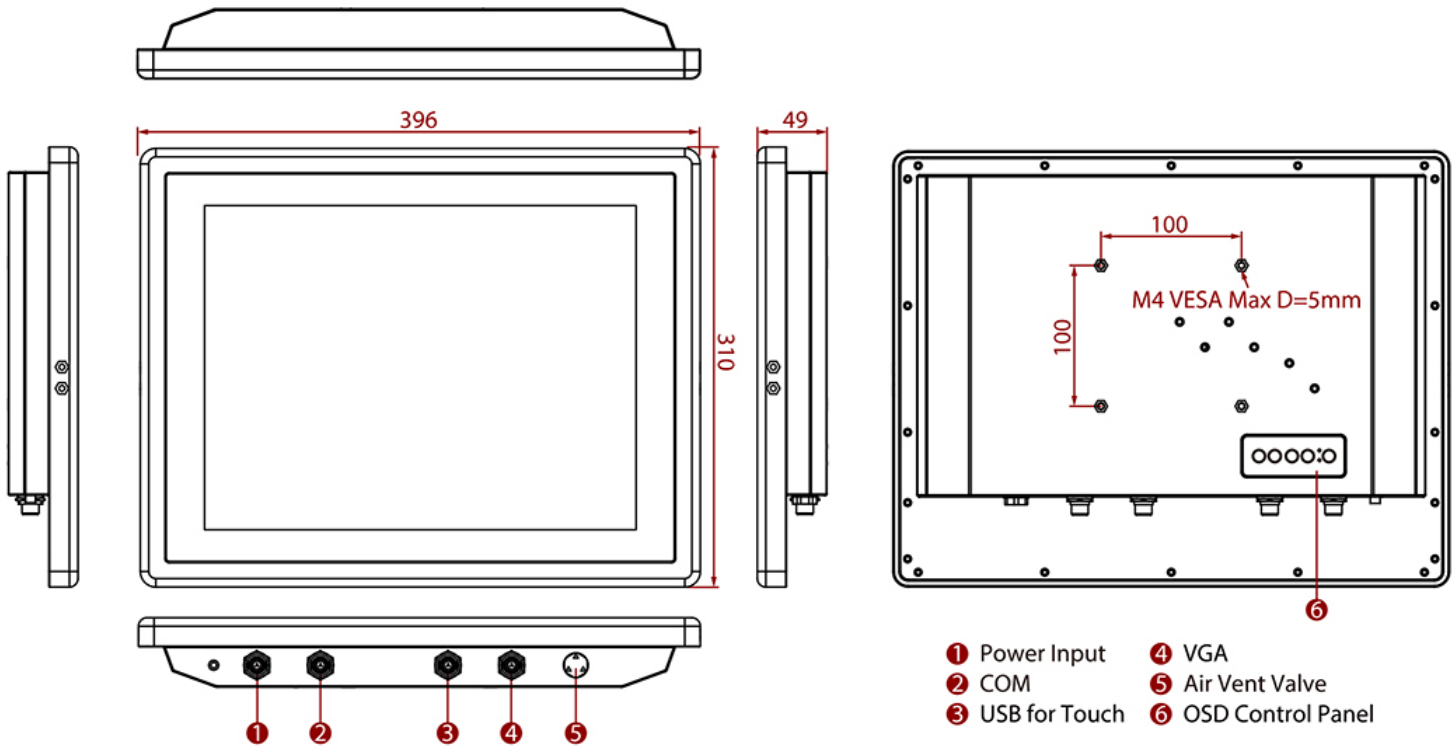
Display			
Touch / Glass	Resistive Touch Screen Bonding With Panel (Explosion-Proof)	Resolution	1024x768
Size	15 inches	Contrast Ratio	2000:1
Panel Brightness	550 nits 1000 nits(Optional)	Display Color	16.2M Colors
View Angles	88,88,88,88	Active Area	304.1x228.1 mm
Mechanical			
Dimension	396x310x49 mm	Mounting	VESA Mount
Enclosure	Stainless Housing	Cooling System	Fanless design
Environment			
Operating Humidity	10% to 95% (non-condensing)	Operating Temperature	-20~50°C
Storage Temperature	-20~50°C	Shock	MIL-STD-810G Method 516.6 (Optional)
Vibration	MIL-STD-810G Method 514.6	IP rating	IP65
Drop	MIL-STD-810G Method 516.6		
Certification			
Certification	CE, FCC UL60950-1, CSA C22.2 No. 60950-1-07, EN 62368-1, IEC60950-1 ATEX Zone 2 EX II 3 G Ex ic nA IIC Gc UL Class I, Div.2, Groups ABCD T4 ANSI/ISA12.12.01 CAN/CSA C22.2 No. 213-M1987		
IO Ports			
Power Input	1 x 9-36V DC, M12 Type connector	USB Port	1x M12 type connector for Touchscreen
Serial Port	1 x M12 type connector for Touch 1 x M12 type connector for RS232 remote control (Optional)	Video	1x M12 type connector for VGA input
Indicator	1 x LED Indicator for power 1 x LED Indicator for standby		
Control			
Button	1 x Power Button		

*Specifications subject to change without notice, not responsible for typographical errors.

	1 x Adjust up button 1 x Adjust down button 1 x ESC (Auto) button 1 x OK (Menu) button	
Accessory		
Accessory	100-240V AC to DC Power Adapter with M12 Connector Power Cord M12 Type Power Cable M12 Type RS232 Male Cable for remote control M12 Type USB Male Cable for Touch M12 Type VGA Cable Driver CD & Manual VESA screws	Optional Accessory M12 Type RS232 Male Cable for touchscreen control (Optional)

MECHANICAL DRAWING:

This is subject to change without Notice. Final Drawings Will be Provided for Approval after Order.



Drawing No.: WCH1500-C1D2-V2-03312022-V1