

RUGGED LAPTOP

13.3" Rugged Laptop TFT LCD FHD (1920x1080) 500nits with Intel Core i5-1135G7 @ 2.40GHz, RAM: 8GB, SSD: 256GB, WiFi/BT/GPS PCAP Touch, OS: Win10 IoT Enterprise

Hot-swappable 2 x 10.8V typ.
2400 mAh Li-Polymer Battery (3S1P)



MODEL: RGPW1330-i5

FEATURES:

- 11th Gen. Intel Processor Family – Tiger Lake Processor Rugged Laptops
- Fanless Cooling System heavy duty laptop
- 13.3" 1920x1080 LED panel with direct optical bonding laptop
- Anti-glare technology for sunlight readability
- Flip design for quick switching between laptop and tablet modes
- Dual battery with hot-swappable design for whole-day-work
- Expansion slot supporting optional 2nd removable SSD and smart card reader

SPECIFICATIONS

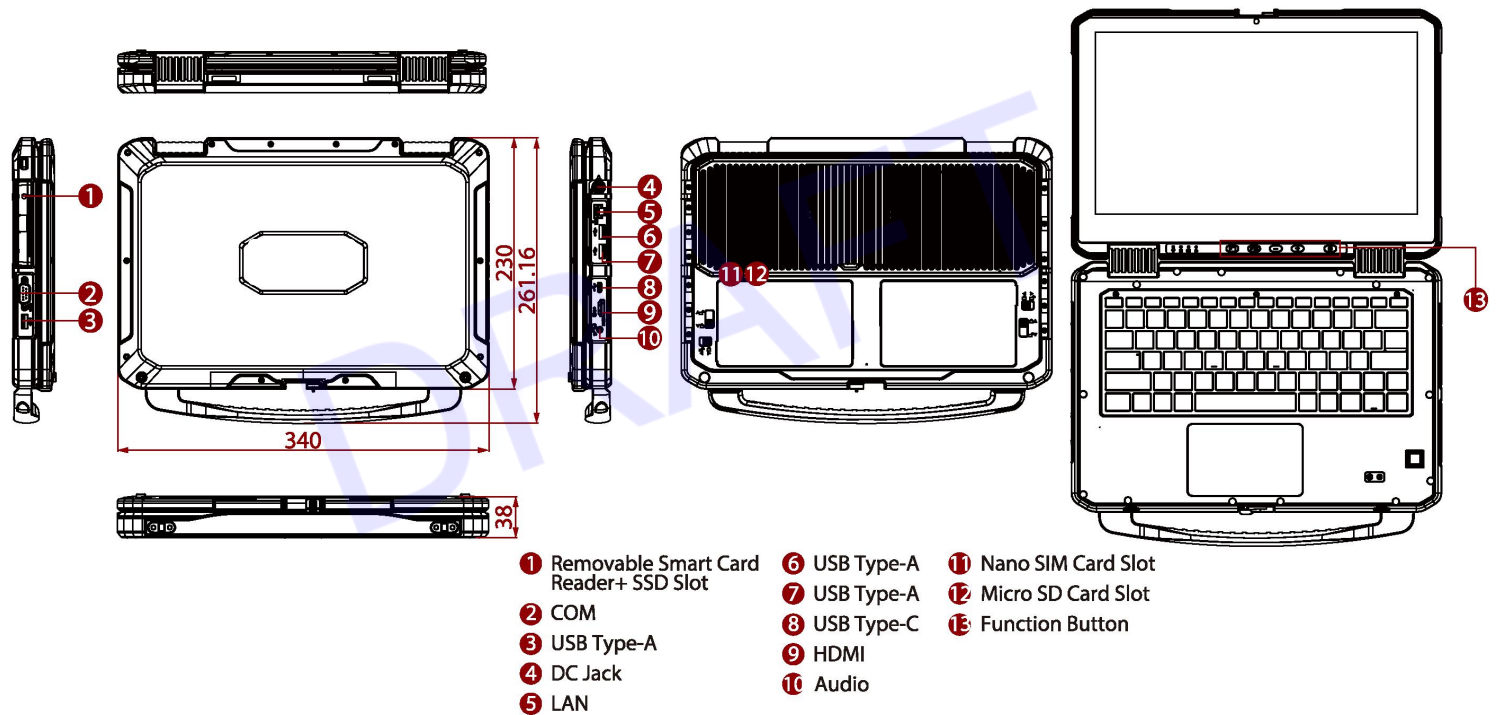
DISPLAY			
Resolution	1920x1080	Size	13.3 inches
Contrast Ratio	1000:1	Panel Brightness	500 nits
View Angles	89,89,89,89	Bonding	Optical Bonding for Sunlight Viewability
Type	Projected Capacitive Multi Touch		
SYSTEM SPECIFICATION			
Processor	Intel Core i5-1135G7 2.4GHz (up to 4.2GHz)	Memory	8GB DDR4 SDRAM 16GB DDR4 SDRAM (Optional) 32GB DDR4 SDRAM (Optional)
Storage	256GB M.2 SSD	Security	Trusted Platform Module (TPM) 2.0 Kensington Lock
	512GB M.2 SSD (Optional)		
	1TB M.2 SSD (Optional)		
	2TB M.2 SSD (Optional)		
Additional storage available with up to 2TB M.2 (PCIe NVMe) SSD, self-encrypted. (Optional)			
Operating System	Windows 10 IoT Enterprise LTSC (64 bit) Windows 11 IoT Enterprise SAC (64 bit) (Optional)	WLAN	Support
BT	Support	WWAN	4G LTE (Optional) 5G (Optional)
GNSS	GPS/GLONASS	RFID	HF RFID reader 13.56 MHz (Optional)
Smart Card Reader	Smart Card Reader (Optional)	Fingerprint Scanner	Fingerprint scanner (Optional)
CAMERA			
Front Camera	2MP front camera	Rear Camera	8MP rear camera with autofocus and LED light (Optional)
MECHANICAL			
Dimension	340 x 230 x 38 mm	Weight	2.5 kg
Cooling System	Fanless thermal design		
IO Ports			
USB Port	3 x USB 3.0 (Type A), 1 x USB 3.0 (Type C)	Serial Port	1 x RS232 (DB9)
SD Card Slot	1 x Micro SDXC Slot	SIM Card Slot	1 x Nano SIM card slot
Video	1 x HDMI 4K Output (Optional)	Audio	1 x Audio combo 3.5mm audio combo jack Dual Digital Mic With Noise Cancellation Dual Speaker
Expansion Port	1 x Expansion slot for smart card reader and removable SSD (Optional)	LAN	1 x RJ45-10/100/1000 GigaLAN port
Indicator	4x LED Indicator for Power, Battery, HDD, RF status		
ENVIRONMENT			
Operating Humidity	10% to 90% RH, non-condensing	Operating Temperature	-20°C to 50°C (AC mode), 0°C to 40°C (Battery mode)
Storage Temperature	-30°C to 70°C	Shock	MIL-STD-810H Method 516.8 Procedure I
Vibration	MIL-STD-810H Method 514.8 Procedure I	IP Rating	IP65
Drop	MIL-STD-810H Method 516.8, 3 ft	EMC	MIL-STD-461G CE101, CE102, RE101, RE102, CS118 (Default)
			MIL-STD-461G CS101, CS114, CS115, CS116, RS101, RS103 (Optional)

CERTIFICATION			
Certification	CE, FCC		
SECURITY FUNCTION			
SOTI Mobi Control	SOTI MobiControl Compliance	Kensington Lock	Kensington Lock Support
CONTROL			
Button	1x Power, 2 x volume key, 2x Programmable Function Keys QWERTY keyboard with RGB backlight		
POWER			
Battery Power	Hot-swappable 2 x 10.8V typ. 2400 mAh Li-Ion Battery (3S1P)	Battery Operating Time	Standard Battery: 8 hours 100-
Power Rating	19V DC	Adapter	240V, 50-60Hz (19V DC)
ACCESSORIES			
Accessories	Adapter and Power Cord Standard Battery	Optional Accessory	Spare Battery (Optional) Battery Charger (Optional) Vehicle Charger (Optional)

**Specifications subject to change without notice, not responsible for typographical errors.*

MECHANICAL DRAWING

This is subject to change without Notice. Final Drawings Will be Provided for Approval after Order.



Drawing No.: RGPW1330-i5-10312023-V1