

21.5" 1920x1080 Fanless -10~55C Core i5-6200U2.3GHz Skylake Class 1 Division 2, ATEX Zone 2, and IECEx Certified, 16GB WideTemp. 512GB SSD Wide temp.+Resistive flat+ Windows 10 Pro 64.

****Two year Warranty****

Panel mounting by bezel kit (not co-exist with wireless function)



MODEL: WMPCW2200i5-C1D2-V2

FEATURES:

- Class 1 Division 2, ATEX Zone 2, and IECEx Certified
- Intel Core i5-6200U2.3GHz Skylake
- 21.5" Fanless Panel PC for Wide Temp -10~55°C Environments
- LAN USB COM M16 (EX Ec) I.O. Up to 4 & Waterproof M12 USB COM (EX ic) I.S. Output
- Connector Panel for Easy Cable Installation
- Totally Sealed IP66 / NEMA 4X Enclosure

SPECIFICATIONS:

Main System	CPU	Intel Core i5-6200U2.3GHz Skylake		
	Graphic	Intel® Integrated Graphics HD 520		
	Memory	Two 2133 MHz DDR4 SODIMM Socket Support Dual Channel, non-ECC, up to 32GB		
	OS Support (Optional)	Win10 Embedded 64-bit / Windows 10 Professional 64-bit		
Display	Size	21.5" 16:9		
	Resolution (pixel)	1920 x 1080 (FHD)		
	Number of Colors	16.7M colors (RGB 6-bit + Hi FRC)		
	View Angle (HA/)	178(H) / 178(V)		
	Brightness (nits)	300 nits		
Touch Panel	Contrast Ratio	5000 : 1 (Typ)		
	Type	Full Flat Resistive Touch Panel		
	Light Transmission	80 ± 5%		
Storage & Expansion	Hardness / Lifetime	4H / 490,000 hours		
	Storage	2.5" SATA SSD		
	Expansion	Mini PCIe x 1 M.2 Type E x 1		
I/O Ports/ Power	Configuration	A	B/C*	D
	Swappable M12, 8pin (I.S. Output, Support EX ic, Extension Cable to EX ic Devices)	COM X 2 for RS232	USB2.0 X 1 COM X 1 for RS232	USB2.0 X 2
	Cable Gland M16 (Max. Output x 4, Must be Installed by User)	USB 2.0 X 2 (EX ec) LAN X 2 (EX ec, i219LM for Vpro) COM X 1 for RS232/422/485 (EX ec) Optional Mini-PCIe Module for Cable Connection X 1 (EX ec)		
	Power Adapter	100W with 24V DC output, with 1.2M cable, PSE		
	Power / Consumption	DC 24V Input, M16 (EX ec, Must Be Installed by User) / 54.2 Watts		
Environmental	Temperature	Operating Temperature -10 ~ 55 °C, without freezing (IEC60068-2-56, airflow cooling) Storage Temperature -20 ~ 60°C		
	Humidity	Operating & Storage: -10 ~ 90%, non-condensing		
	Water/Dust resistance	IP66/NEMA4X		
Mechanical Characteristics	Housing	Stainless Steel (SUS304), Chassis Type		
	Dimensions (Net: mm)	557 x 348.5 x 84.5		
	Weights (Net: kg))	13 kg		
	Mounting	VESA (100x100 mm x mm), side mount (M6*2)		
Certification	EMC: FCC, CE (EMC), VCCI Class B, Canada ICES-003, Safety: IEC-62368 CCC, IECEx, Class 1 Division 2 Group A, B, C, D T5 (Config. A Ready, B/C, D Compliance) ATEX Zone2 EX II 3G Ex ic ec IIC T4 Gc IP66			

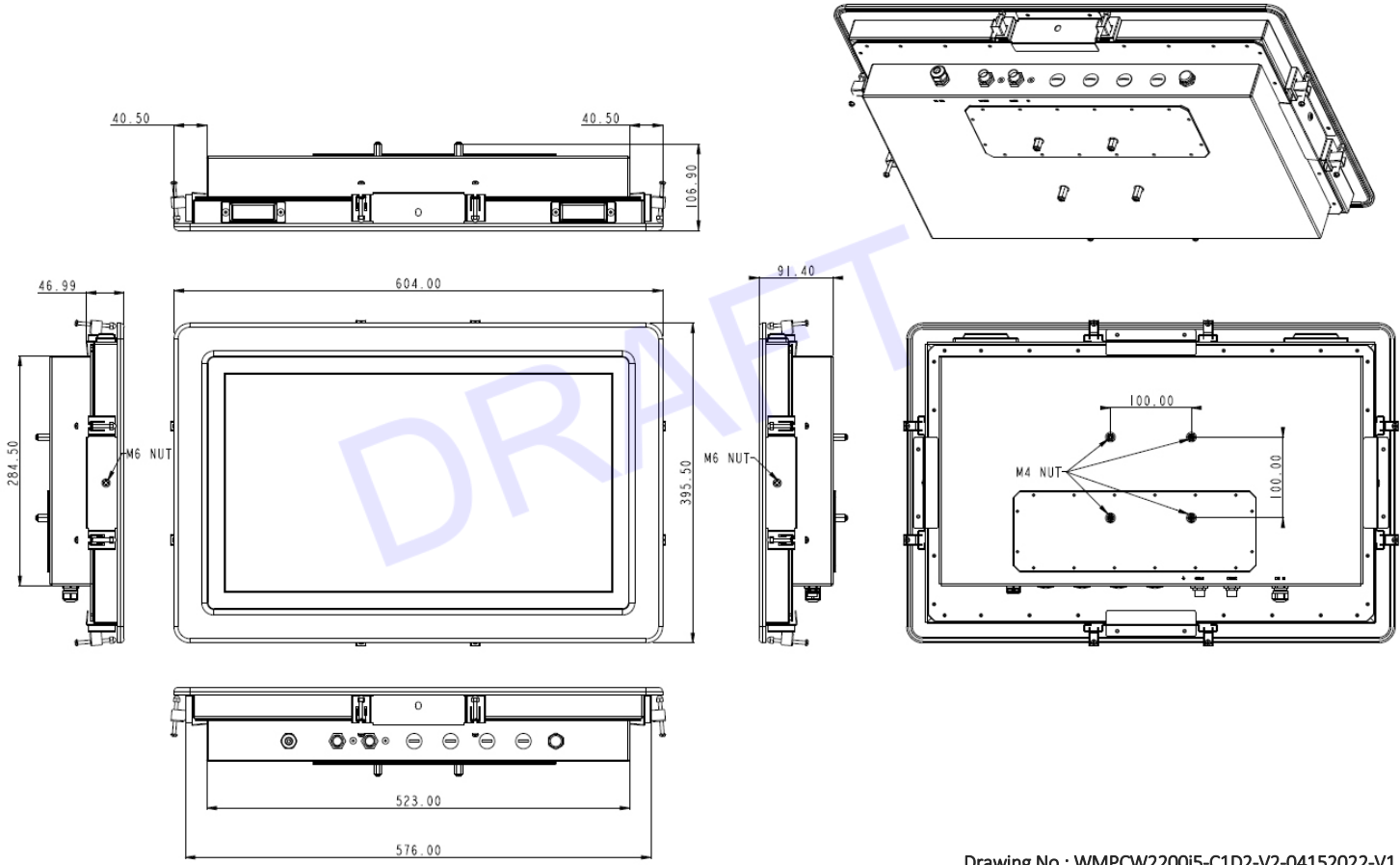
**Specifications subject to change without notice, not responsible for typographical errors.*

OPTIONS

Major Options	
Options	(1) Wifi * IEEE802.11ac/b/g/n, Bluetooth Class.O * 2.0 (included in explosion proof certification, not co-existed with other mini-PCle module)
Accessory	1. COM extension cable kit through M16 cable gland (2 meter length, external 9pin male type) (cable kit must be installed by user)
	2. USB2.0 extension cable through M16 cable gland (2 meter length, external female type A) (cable kit must be installed by user)
	3. LAN extension cable through M16 cable gland (2 meter length, external female RJ45 type) (cable kit must be installed by user)
	4. Swappable M12 COM extension cable (2 meter length, M12 to PPC, external 9pin male type) (for configuration A.B/C)
	5. Swappable M12 USB2.0 port extension cable (0.3 meter length, M12 to PPC, external female type A connectors) (for configuration B/C, D)
	6. Swappable M12 DC power extension cable (1.2 meter length, M12, stripped and tinned wires on opposite end to DC 24V output power supply)
Customization	1. Kit to support over 100 meter power supply length,
	2. Power on/off switch
	3. EtherNet/ IP (Industrial Protocol) Interface (temperature code condition is T4, not co-existed with other mini-PCle module)
	4. PROFIBUS DP (process field bus decentralized peripherals)-slave Network Interface (temperature code condition is T4, not co-existed with other mini-PCle module)
	5. DeviceNet-slave Interface (temperature code condition is T4, not co-existed with other mini-PCle module)
	6. CC-Link (control & communication link)-slave interface (temperature code condition is T4, not co-existed with other mini-PCle module)
	7. Panel mounting by bezel kit (not co-exist with wireless function)
	8. 50 meter DC cable to support 50 meter power length
	9. 100 meter DC cable to support 100 meter power length
	10. Wall mount/ Table mount bracket

MECHANICAL DRAWINGS:

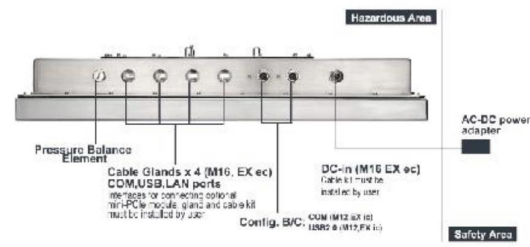
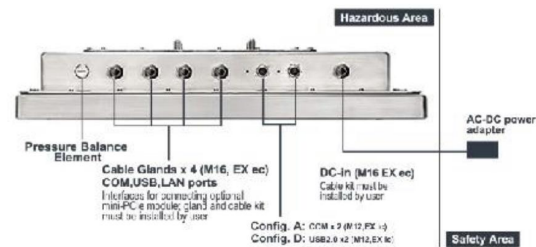
This is subject to change without Notice. Final Drawings Will be Provided for Approval after Order.



Drawing No.: WMPCW2200I5-C1D2-V2-04152022-V1

Configuration A,D

Configuration B/C



Entity parameters A	
COM1:	U _o = 10.0 V, I _o = 38.9 mA, P _o = 389 mW, C _o = 2.8 μF, L _o = 52.867 mH
COM2:	U _o = 9.0 V, I _o = 31.6 mA, P _o = 284 mW, C _o = 0.3 μF, L _o = 80.115 mH
Entity parameters D	
USB:	U _o = 5.5 V, I _o = 151.2 mA, P _o = 0.8316 W, C _o = 1000 μF, L _o = 3.499 mH

Entity parameters B/C	
COM:	U _o = 9.0 V, I _o = 31.6 mA, P _o = 284 mW, C _o = 0.3 μF, L _o = 80.115 mH
USB:	U _o = 5.5 V, I _o = 151.2 mA, P _o = 0.8316 W, C _o = 1000 μF, L _o = 3.499 mH