

FANLESS PC Class 1 Division 2

15" 1024x768 Fanless -20 to 60C Core i5-6200U2.3GHz Skylake Class 1 Division 2, ATEX Zone 2, and IECEx Certified 4GB Wide Temp. 128G SSD Wide Temp. + Resistive Flat + Windows 10 64bit



MODEL: WMPC1500i5-C1D2-V2

FEATURES:

- Class 1 Division 2, ATEX Zone 2, IECEx & EMC Class B Certified
- Intel 6th Gen. Core i5 Processor
- 15" Fanless Panel PC for Wide Temp -20 ~ 60°C Environments
- LAN USB COM M16 (EX Ec) I.O. Up to 4 & Waterproof M12 USB COM (EX ic) I.S. Output
- Connector Panel for Easy Cable Installation
- Totally Sealed IP66 / NEMA 4X Enclosure
- 100% Water/Dust Proof Guarantee

SPECIFICATIONS:

| | | | | |
|-----------------------------------|---|--|---|-------------------|
| Main System | CPU | FCBGA1356 6th Gen. Intel® Core i5 Processor 15W Max. | | |
| | Graphic | Intel® Graphics HD 520 | | |
| | Memory | Two 2133 MHz DDR4 SODIMM Socket Support Dual Channel, non-ECC, up to 32GB | | |
| | OS Support (Optional) | Win10 Embedded 64-bit / Windows 10 Professional 64-bit | | |
| Display | Size | 15" 4:3 | | |
| | Resolution (pixel) | 1024x768(XGA) | | |
| | Number of Colors | 16.7M colors (RGB 6-bit + Hi FRC) | | |
| | View Angle (HA/) | 160(H) /160(V) | | |
| | Brightness (nits) | 450 nits | | |
| Touch Panel | Contrast Ratio | 600 : 1 (Typ) | | |
| | Type | Full Flat Resistive Touch Panel | | |
| | Light Transmission | 80 ± 5% | | |
| Storage & Expansion | Hardness / Lifetime | 4H / 490,000 hours | | |
| | Storage | 2.5" SATA SSD | | |
| I/O Ports/ Power | Expansion | Mini PCIe x 1 M.2 Type E x 1 | | |
| | Configuration | A | B/C* | D |
| | Swappable M12, 8pin (I.S. Output, Support EX ic, Extension Cable to EX ic Devices) | COM X 2 for RS232 | USB2.0 X 1 COM X 1 for RS232 | USB2.0 X 2 |
| | Cable Gland M16 (Max. Output x 4, Must be Installed by User) | USB 2.0 X 2 (EX ec) LAN X 2 (EX ec, i219LM for Vpro) COM X 1 for RS232/422/485 (EX ec) Optional Mini-PCIe Module for Cable Connection X 1 (EX ec) | | |
| | Power Adapter | 100W with 24V DC output, with 1.2M cable, PSE | | |
| | Power / Consumption | DC 24V Input, M16 (EX ec, Must Be Installed by User) / 46.7 Watts | | |
| Environmental | Temperature | Operating Temperature -20 ~ 60 °C, without freezing (IEC60068-2-56, airflow cooling) Storage Temperature -20 ~ 60°C | | |
| | Humidity | Operating & Storage: -10 ~ 90%, non-condensing | | |
| | Water/Dust resistance | IP66/NEMA4X | | |
| Mechanical Characteristics | Housing | Stainless Steel (SUS304), Chassis Type | | |
| | Dimensions (Net: mm) | 435 x 350 x 84 | | |
| | Weights (Net: kg)) | 11kg | | |
| | Mounting | VESA (100x100 mm x mm), side mount (M6*2) | | |
| Certification | EMC: FCC, CE (EMC), VCCI Class B, Canada ICES-003, Safety: IEC-62368 CCC, IECEx, Class 1 Division 2 Group A, B, C, D T5 (Config. A Ready, B/C, D ATEX Zone2 EX Compliance) X II 3G Ex ic ec IIC T4 Gc IP66, TS Mark (Taiwan) Ex ic ec | | | |

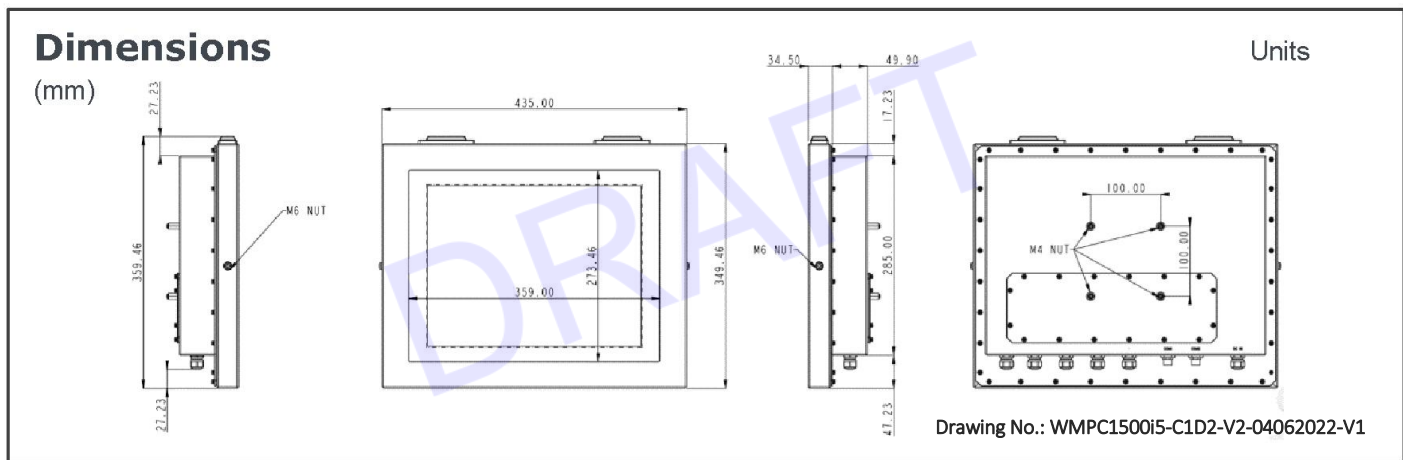
**Specifications subject to change without notice, not responsible for typographical errors.*

OPTIONS

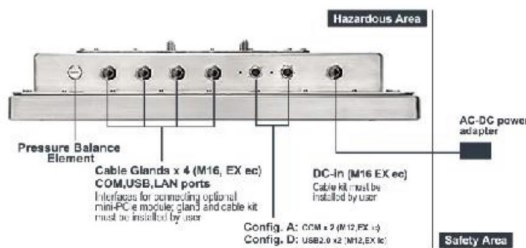
| Major Options | |
|---------------|---|
| Options | (1) Wifi * IEEE802.11ac/b/g/n, Bluetooth Class.O * 2.0 (included in explosion proof certification, not co-existed with other mini-PCle module) |
| Accessory | 1. COM extension cable kit through M16 cable gland (2 meter length, external 9pin male type) (cable kit must be installed by user) |
| | 2. USB2.0 extension cable through M16 cable gland (2 meter length, external female type A) (cable kit must be installed by user) |
| | 3. LAN extension cable through M16 cable gland (2 meter length, external female RJ45 type) (cable kit must be installed by user) |
| | 4. Swappable M12 COM extension cable (2 meter length, M12 to PPC, external 9pin male type) (for configuration A,B/C) |
| | 5. Swappable M12 USB2.0 port extension cable (0.3 meter length, M12 to PPC, external female type A connectors) (for configuration B/C, D) |
| | 6. Swappable M12 DC power extension cable (1.2 meter length, M12, stripped and tinned wires on opposite end to DC 24V output power supply) |
| Customization | 1. Kit to support over 100 meter power supply length, |
| | 2. Power on/off switch |
| | 3. EtherNet/ IP (Industrial Protocol) Interface (temperature code condition is T4, not co-existed with other mini-PCle module) |
| | 4. PROFIBUS DP (process field bus decentralized peripherals)-slave Network Interface (temperature code condition is T4, not co-existed with other mini-PCle module) |
| | 5. DeviceNet-slave Interface (temperature code condition is T4, not co-existed with other mini-PCle module) |
| | 6. CC-Link (control & communication link)-slave interface (temperature code condition is T4, not co-existed with other mini-PCle module) |
| | 7. Panel mounting by bezel kit (not co-exist with wireless function) |
| | 8. 50 meter DC cable to support 50 meter power length |
| | 9. 100 meter DC cable to support 100 meter power length |
| | 10. Wall mount/ Table mount bracket |

MECHANICAL DRAWINGS:

This is subject to change without Notice. Final Drawings Will be Provided for Approval after Order.



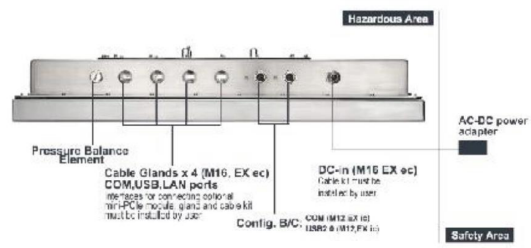
Configuration A,D



| Entity parameters A | |
|--|--|
| COM1: Uo = 10.0 V, Io = 38.9 mA, Po = 389 mW, Co = 2.8µF, Lo = 52.867 mH | |
| COM2: Uo = 9.0 V, Io = 31.6 mA, Po = 284 mW, Co = 0.3µF, Lo = 80.115 mH | |

| Entity parameters D | |
|---|--|
| USB: Uo = 5.5 V, Io = 151.2 mA, Po = 0.8316 W, Co = 1000µF, Lo = 3.499 mH | |

Configuration B/C



| Entity parameters B/C | |
|--|--|
| COM: Uo = 9.0 V, Io = 31.6 mA, Po = 284 mW, Co = 0.3 µF, Lo = 80.115 mH | |
| USB: Uo = 5.5 V, Io = 151.2 mA, Po = 0.8316 W, Co = 1000 µF, Lo = 3.499 mH | |