

# VCPCW1850AM

18.5" WXGA TFT Touch Panel PC

Intel® /  
AMD

Touch  
Screen

5W  
Speaker

GbE

CF

2 COM

5 USB

VESA



## Key Features:

- 18.5" WXGA TFT Touch Panel PC
- 5-wire Resistive Touch Screen
- VCPCW1850AM: AMD RS780E/ SB710 Chipset
- VGA, DVI, Audio, 2 x 5W Speakers
- Gigabit Ethernet, Optional WiFi Module  
1 CF, 2 COM, 5 USB
- Supports 2.5" SATA HDD
- IP65 Compliant Front Panel
- VESA Compliance

## Specifications:

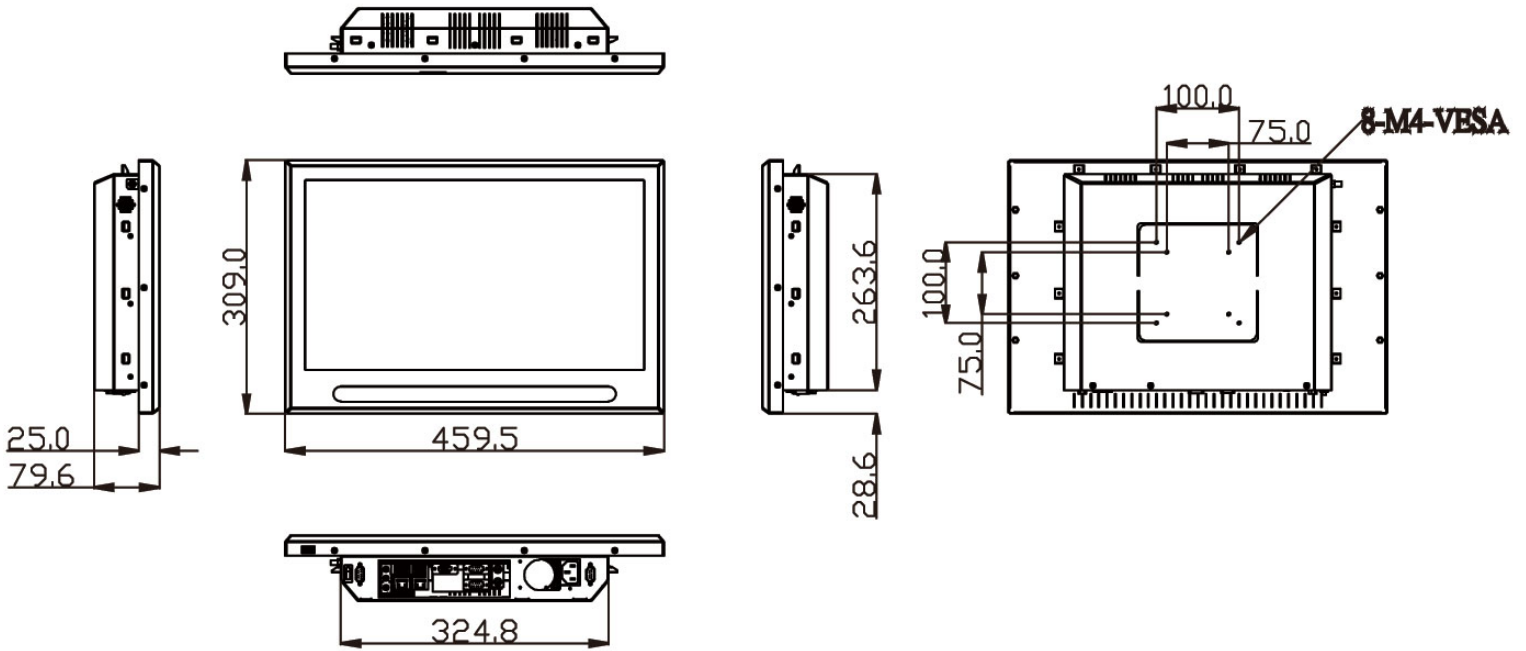
Model	VCPCW1850AM
• LCD Size	18.5", 16:9
• Display Type	WXGA TFT
• Resolution	1366 x 768, 16.7M
• Pixel Pitch	0.300mm (H) x 0.300mm (V)
• Luminance	300cd/m <sup>2</sup>
• Contrast Ratio	1000:1
• Viewing Angle	80 (U), 80 (D), 85 (L), 85 (R)
• Response Time	5ms
• Backlight	2 x CCFL
• Touch Screen	5-wire Resistive
• Light Transmission	80%
• Touch Interface	USB
<b>System</b>	
• CPU	Supports AM2/ AM2+ / AM3 Socket Support 65W Athlon/ Athlon X2/ Quad-Core™ AMD Phenom™ II Processors
• Cooling Method	Active CPU Cooler
• System Chipset	AMD RS780E/ SB710
• I/O Chip	FINTEK F71863FG
• System Memory	Two 200-pin SODIMMs Support Up to 4GB DDR2 800 SDRAM
• SSD	One CompactFlash Type I/II Socket
• Hard Drive Bay	1 x 2.5" SATA HDD
• Expansion	1 x Mini PCIe
<b>Rear I/O</b>	
• Serial Port	2 x RS-232
• Ethernet	2 x RJ-45 (Realtek RTL8111D Gigabit Ethernet)
• WiFi	Optional USB WiFi 802.11 b/g (Occupies One USB Port)
• VGA	1 x DB-15
• DVI	N/A
• HDMI	1 x HDMI
• Audio	Line-out, Line-in, Mic-in
• USB	5 x USB 2.0
• Mouse & K/B	1 x PS/2 Keyboard Connector
• Speaker	2 x 5W



i-Tech Company LLC

TOLL FREE: (888) 483-2418 • EMAIL: [info@itechlcd.com](mailto:info@itechlcd.com) • WEB: [www.iTechLCD.com](http://www.iTechLCD.com)

## Diagram:



Unit: mm

Environment & Mechanical	
• System Fan	1 x System Fan
• Color	Front Panel Black; Rear Panel Black
• Mounting	Wall/ Stand/ VESA 75mm x 75mm and 100mm x 100mm
• Power Input	100 ~ 240VAC
• Power Output	180W
• Operating Temperature	0°C ~ 40°C (32°F ~ 104°F)
• Storage Temperature	-10°C ~ 50°C (14°F ~ 122°F)
• Relative Humidity	10% to 95% @ 40°C, Non-condensing
• Dimensions (W x D x H)	459.5mm X 309mm X 79.6mm
• Weight	5.77Kgs

