

Open Frame Loose Kit Module

Open frame loose kit module, LCD panel,
Inverter, OSD, LVDS, AToD board, DC adapter,
8" 4:3 LED High Brightness 500nits, 800x600,VGA Input



(Model: TSK0800B)

FEATURES:

- * VGA Input
- * Optional RCA Composite Video + Speaker
- * Optional 5-Wire Resistive / Capacitive Touch supports all Windows / Linux OS
- * 4:3 Screen LED Back-Light High Brightness @ 500nits



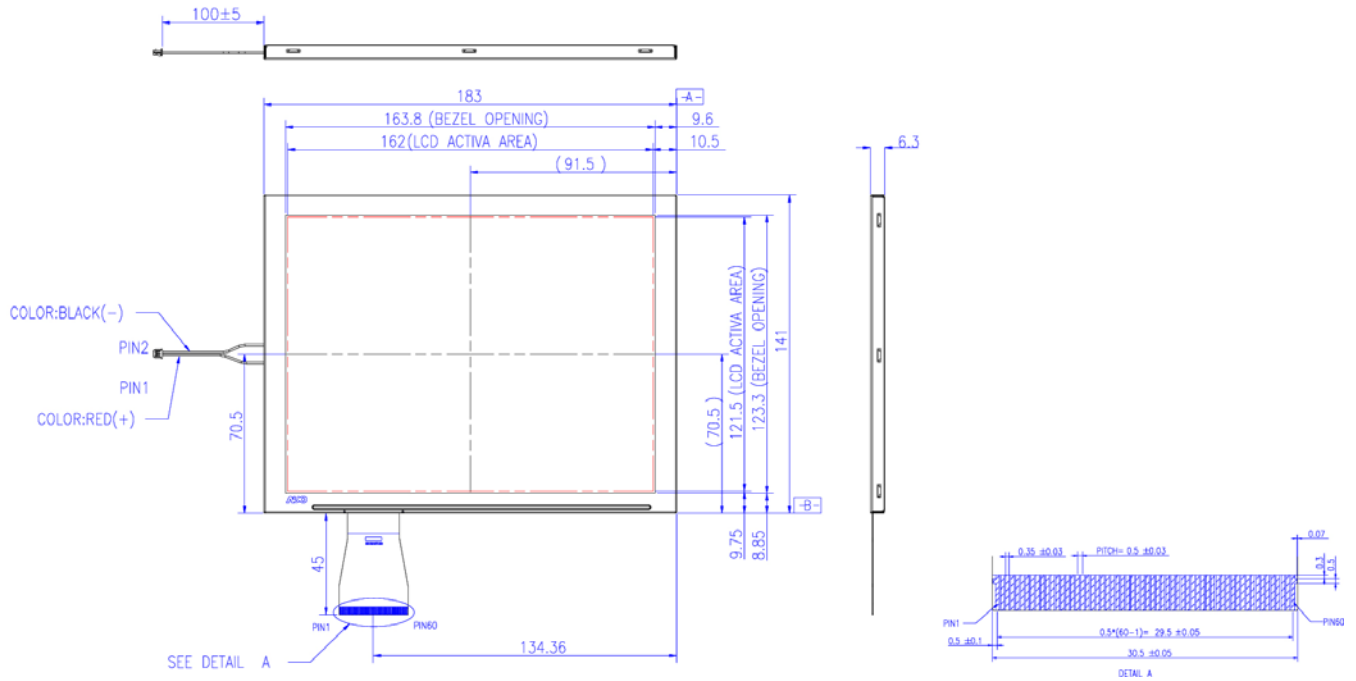
Specifications:

Screen Size	8(Diagonal)
Display Resolution	800RGB(W)x600(H)
Overall Dimension	183(W)x141(H)x6.3(D)
Active Area	162(W)x121.5(H)
Pixel Pitch	0.2025(W)x0.2025(H)
Color Configuration	R. G. B. Stripe
Panel surface Treatment	Anti-Glare
Weight	235 ±10
Backlight unit	40 pcs of LED

Drawings

Front View

- NOTES:
 1.GENERAL TOLERANCE:±0.3mm
 2.LED LIGHTBAR CONNECTOR: MOLEX 51021-0200
 3.FPC CONNECTOR:XF2M-6015-1AH by omz



Rear View

