

1U 17" LCD Sun Compatible Keyboard, 3-Button Trackball, Numerical Keypad with USB Connections, LCD Sun Compatible Keyboard, 3-Button Trackball, Numerical Keypad with USB KVM connections. Sync with SUN 1152 x900 Res. also support 1280x1024 native graphic resolution. VGA + DVI-D w/ 1x CV-6A (DVI-D/USB) Cable

## MODEL: SNK117b



### BENEFITS:

- 17-inch LED-backlit LCD console drawer (1U)
- Resolution: 1152 x 900 SUN Micro, supporting 16.7 million colors
- Video Inputs: DVI-D and VGA; USB Keyboard and Mouse support
- Keyboard: 104-key USB with integrated trackball
- Compact design: Short depth of 460mm and 500mm respectively
- Easy Installation: Designed for one-person installation
- Enhanced Appearance: Features molded front handle for improved aesthetics
- Warranty: Standard 2-year warranty, with options to extend up to 5 years

### OPTIONS:

- Front USB hub port for device access ( USB )
- DC power : 12V / 24V / 48V / 125V / 250V

### SPECIFICATIONS

Console Port	
Video input	VGA + DVI-D single link
KB / MS	USB interface
VGA console 6ft cable : NB-6A OR DVI-D console 6ft cable: CV-6A	Drawer end : DB-15 + USB type A x 2 Server end : DB-15 + USB type A x 2 Drawer end : DVI-D + USB type A x 2 Server end : DVI-D + USB type A x 2

LED-backlit LCD PANEL		
Panel size ( diagonal )		17"
Resolution	Direct	1152 x 900
	Native	1280 x 1024
Brightness ( cd/m <sup>2</sup> )		250
Contrast ratio ( typ. )		1000 : 1
Colors		16.7 M
Viewing angle ( L/R/U/D )		85/85/80/80
Response time ( ms )		5
Dot pitch ( mm )		0.264
Display area ( mm )		337.92H x 270.33V
Surface treatment		Haze 25%, Hard-coating
Surface hardness		3H
Backlight type		LED
MTBF (hrs)		30,000

Physical		
Product ( W x D x H )	Single console	442 x 460 x 44 mm 17.4 x 18.1 x 1.73 inch
	Console w/ KVM	442 x 580 x 44mm 17.4 x 22.8 x 1.73 inch
Packing ( W x D x H )	Single console / Console w/ KVM	590 x 808 x 140 mm 23.2 x 32.1 x 5.5 inch
	Net weight	Single console
Console w/ KVM		13 kg / 28.6 lb
Gross weight	Single console	16.6 kg / 36.5 lb
	Console w/ KVM	19 kg / 41.8 lb

Mounting Distance		
Single console drawer	470 ~ 700 mm	
Console w/ KVM drawer	18.5 ~ 27.6 inch	
Console w/ KVM drawer	470 ~ 800 mm	
	18.5 ~ 31.5 inch	

Power		
Input	Auto-sensing 100 to 240VAC, 50 / 60Hz	
Consumption (console / KVM)	Screen on	Max. 22W / Max. 55W
	Power saving mode	Max. 2W / Max. 34W
	Power button off	Max. 1W / Nil

Environment	
Operating temp.	0 to 55°C degree
Storage temp.	-20 to 60°C degree
Operating humidity	10~90%, non-condensing
Storage humidity	5 ~90%, non-condensing
Operating altitude	16,000 ft
Non-operating altitude	40,000 ft
Shock	10G acceleration ( 11ms duration )
Vibration	10~300Hz 0.5G RMS random vibration

Compliance	
EMC	FCC, CE certified
Safety	CE / LVD, UKCA & CCC
Environment	RoHS3 & REACH / WEEE

\*Specifications subject to change without notice, not responsible for typographical errors.

## MODELS with KVM

2K KVM	<b>IP</b>	Remote	8-port	
	0	0	SNK117-D8	

### 2K KVM Cable



NK6D (6 ft)  
DVI-D KVM cable



NK6H (6 ft)  
HDMI KVM cable

Resolution Support \*\*: 16:9 - max. 2560 x 1440  
16:10 - max. 1920 x 1200  
4:3 - max. 1600 x 1200

DVI-D KVM	<b>IP</b>	Remote	12-port	
	0	0	SNK117-D12	

### DVI-D USB KVM Cable

Resolution Support \*\*: 16:10 - max. 1920 x 1200  
16:9 - max. 1920 x 1080  
4:3 - max. 1600 x 1200



NI - 6 ( 6 ft )  
NI - 15 ( 15 ft )

Matrix CAT6 KVM	<b>IP</b>	Remote	8-port	16-port	32-port
	1	1	-	SNK117-MC1116	SNK117-MC1132
	2	1	-	SNK117-MC2116	SNK117-MC3224
	0	1	-	SNK117-MC0116	SNK117-MC0132
	0	2	-	SNK117-MC0216	SNK117-MC0232
	0	3	-	SNK117-MC0316	SNK117-MC0332

### CAT6 KVM Dongle



USB-C dongle



IF-DUSBP  
DP - USB dongle



IF-DUSBH  
HDMI - USB dongle



IF-DUSBD  
DVI - USB dongle



IF-DUSB  
VGA - USB dongle

Resolution Support \*\*: 16:10 - max. 1920 x 1200  
16:9 - max. 1920 x 1080  
4:3 - max. 1600 x 1200

CAT6 Combo KVM	<b>IP</b>	Remote	8-port	16-port	32-port
	1	0	SNK117-CIP8	SNK117-CIP16	SNK117-CIP32
	0	1	SNK117-CCE8	SNK117-CCE16	SNK117-CCE32
	0	0	SNK117-C8	SNK117-C16	SNK117-C32

DB-15 USB HUB KVM	<b>IP</b>	Remote	8-port	
	1	0	SNK117-IPB8e	
	0	1	SNK117-CE8	
	0	0	SNK117-B8	

### DB-15 VGA USB KVM Cable



NB - 6 ( 6 ft )



NB - 10 ( 10 ft )





NB - 15 ( 15 ft )


Resolution Support \*\*: 16:10 - max. 1920 x 1200  
16:9 - max. 1920 x 1080  
4:3 - max. 1600 x 1200

Combo DB-15 KVM	<b>IP</b>	Remote	8-port	16-port
	1	0	SNK117-IP8	SNK117-IP16
	0	1	SNK117-CE8	SNK117-CE8
	0	0	SNK117-S8	SNK117-S16

## IP Console





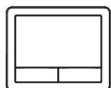
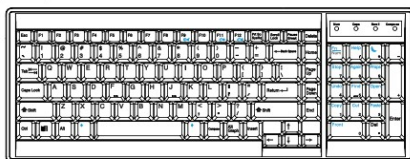


**High Performance KVM Access Over IP**

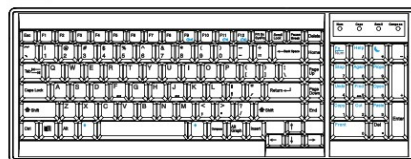
Connector : RJ45  
 User management: 1 x active user, 15-user login  
 Network protocol: DHCP / BOOTP / DNS  
 Security : TLS 1.3, AES, LDAP, Active Directory (AD), HTTP(s)  
 Browser : Chrome, Firefox, Edge, etc.  
 Resolution : 16:9 - max. 1920x1080 / 16:10 - max. 1920x1200 / 4:3 - max. 1600x1200

## KEYBOARD

**Se** S keyboard with touchpad



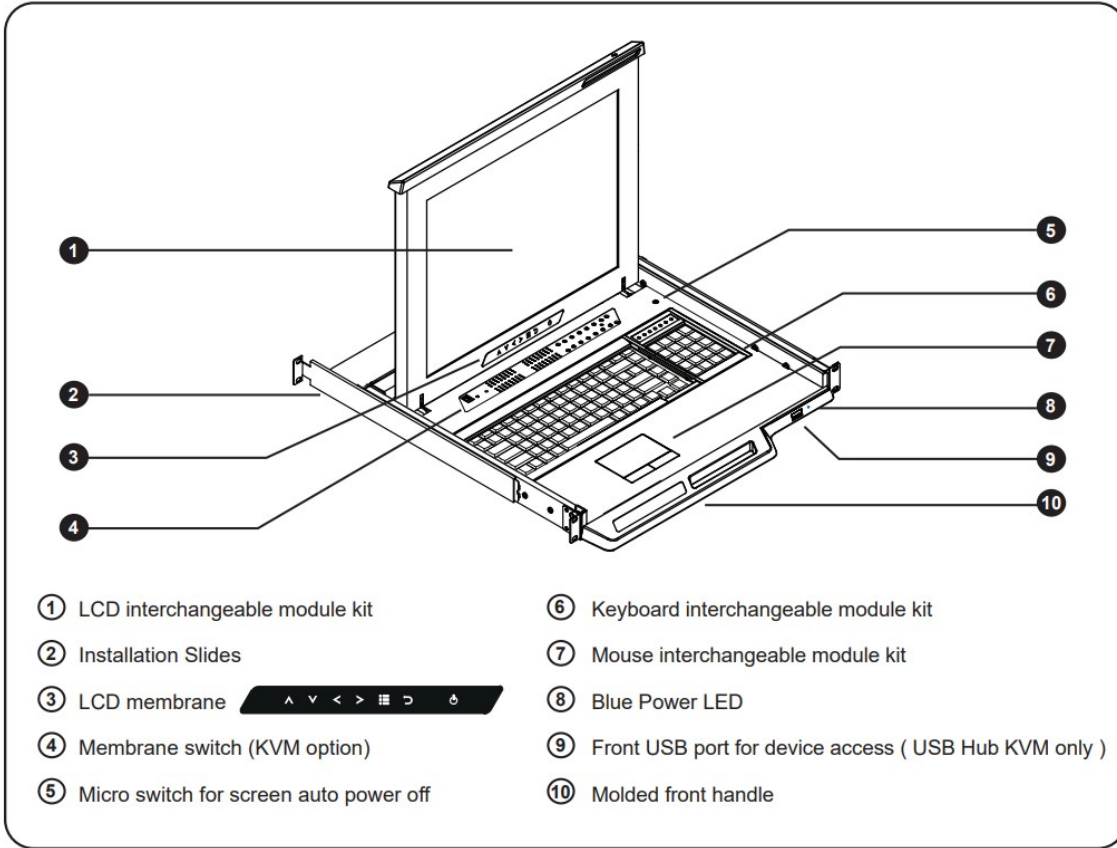
**Sb** S keyboard with trackball



### Supporting layouts

America   
U.S.

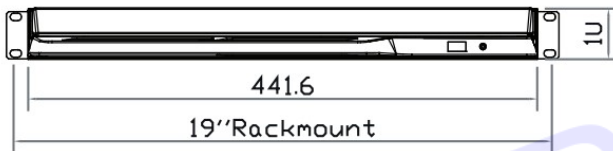
## STRUCTURE DIAGRAM



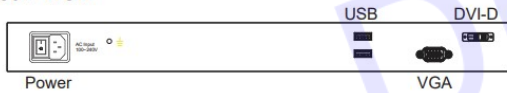
## DIMENSION

*This is subject to change without Notice. Final Drawings Will be Provided for Approval after Order.*

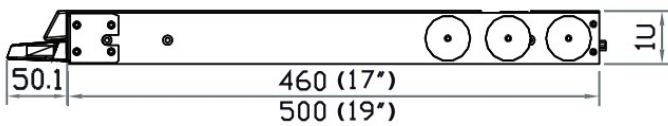
Front View



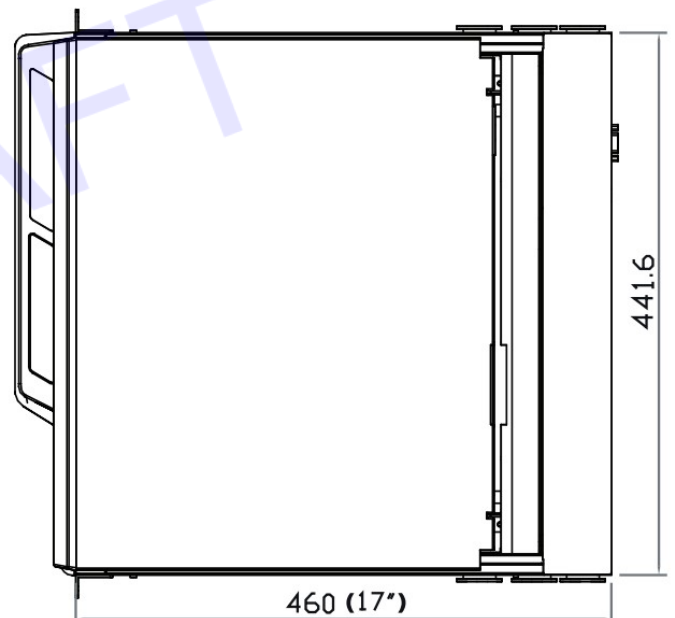
Rear View



Side View



Top View



UNIT : mm  
1mm = 0.03937 inch

Drawing No.: SNK117b-02012024-V1

Modified Date: 02-01-2024