

SUNTRONIC'S DIRECT SUNLIGHT OUTDOOR LCD

Fully Work under Direct Sunlight 46" LCD
(High TNi Panel Enhancement to prevent isotropic Blackout
under Direct Sun, Water/Dust/Rain Proof
1500nits Daylight Readable Rugged LCD

U4600L1

FEATURES:

- 46" industrial panel / 1920 x 1080 / 1500nits / High TNi
- Aluminum enclosures with Fan and filter / Front IP65, Bottom IP54 / wall mount
- 3mm AR glass + 3M Rejection film / eye bolt x 2EA
- Air curtain design inside / environmental board installation inside to reduce brightness 30% when inside Temp. Reach at 50C
- Speakers / Bottom filter plate
- RS232 command code for remote control / IR Remote control / Front light sensor-Brightness Dimming Control
- Painted color : Front bezel : black, Rear enclosures : light gray color (RAL 7035)
- Operation Temp. : -15C to 50C
- Added thermal pad / insulation sheet inside the back enclosures cover
- Blanket heater (510W / 100VAC) / Temp. control (5C/ON, 15C/OFF) / Heater ON_OFF switch / Operation Temp. :-15C to 50C
- I/O (regular type) : VGA, HDMI, RS232 (for remote control use) , Heater Power ON_OFF switch and 100VAC power cord (for Panel / Heater)
- Added Silica gel bags inside to reduce the moisture

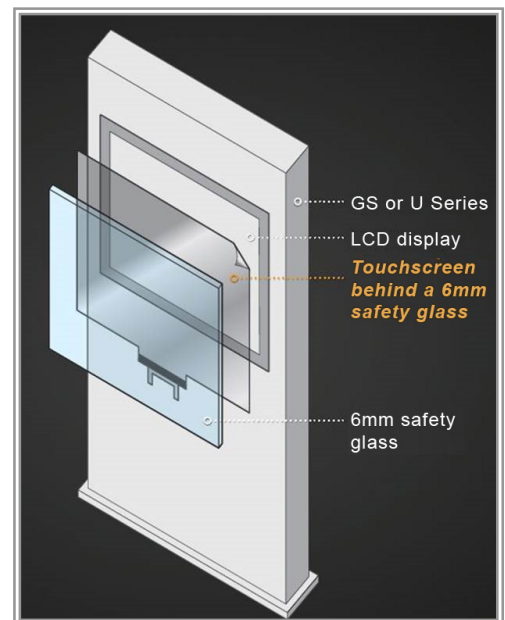
SPECIFICATIONS:

Display Size:	46 Inch TFT-LCD
Resolution Capabilities:	1920 x 1080 Full HD
Frame Rate:	60Hz
Response Time:	8ms typical
Viewing Angle:	178°/178°
Contrast Ratio:	4000 :1
Brightness:	1500 cd/m², Completely Daylight Viewable
Orientation:	Landscape Mode
Backlight:	60,000 Hours Typical
Colors Supported:	10bit 1.07 Billion
Interface:	VGA, HDMI, RS232 (for remote control use)
Audio Out:	3.5mm Audio output
Speaker:	Included 10Watts x 2
Power Source:	100-240VAC Power Cord (for panel use) 110VAC Blanket heater ON/OFF switch
Power Consumption:	245Watts (with heater 345 Watts)
Temperature:	Operating: -15° to 50°C Storage: -30° to 60°C
Humidity:	Operating: 5 to 90% NC Storage: 5 to 95% NC
Operating Time	24/7/365
Dimensions:	46" (w) x 29" (h) x 7" (d)
Weight (Without Stand)	99lbs /45kg
IP Rating:	Enclosures IP65/NEMA4 (Except Bottom is IP54)
RS232:	Control via command code (Optional)
VESA Mount:	600 x 300/ 400

GS AND U SERIES TOUCH SCREEN OPTIONS

Laminate the touch foil behind a safety glass the glass and integrate into our GS or U Series.

Fitting behind the glass to create a vandal and weather proof touch solution. Ideal for outside enclosures.



Glass:	3mm AR Glass +3M Rejection Film
Auto Power On/Off:	Yes
Auto Signal On/Off:	Yes
Options:	IR Touch screen/ Projective Capacitive Touch/ Wide Temp PC/ CAT5 Video Extender/portrait mode/Stainless steel Enclosures Life time 60K hours, operating Time 20 hours/Per day, Shock 30G / Anti Shock 35G XYZ , Anti-Vibration 1G (10-300Hz)
Life time	
Anti Shock/ Anti Vibration	
Warranty:	Return to Depot Warranty1 year
**Remarks: L for Landscape and P for portrait	

*Specifications subject to change without notice, not responsible for typographical errors.

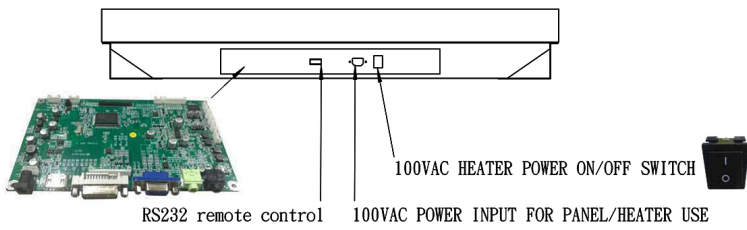
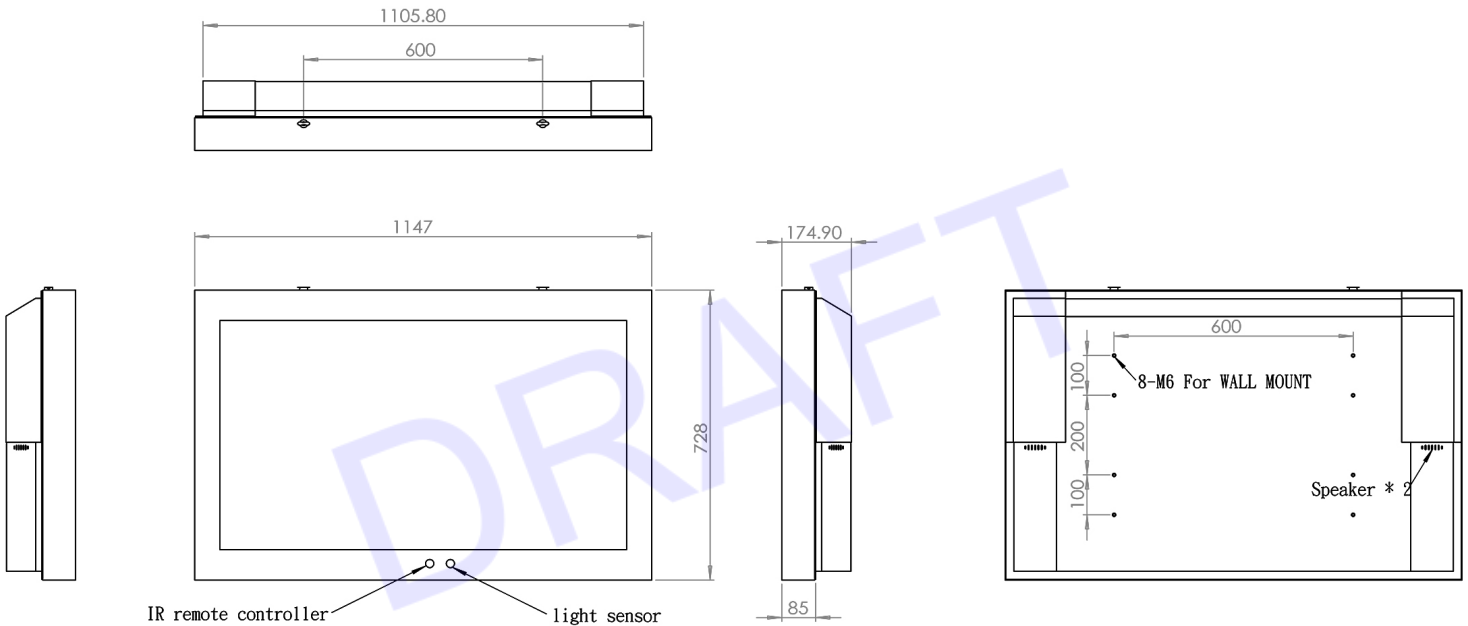


i-Tech Company LLC
EMAIL: info@itechlcd.com • WEB: www.itechlcd.com

Modified Date: 01-23-2026

MECHANICAL DRAWING:

This is subject to change without Notice. Final Drawings Will be Provided for Approval after Order.



Drawing No.: U4600L1-08122024-V1

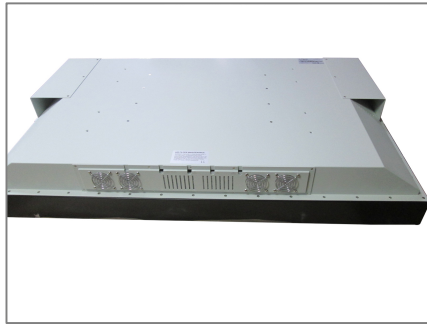
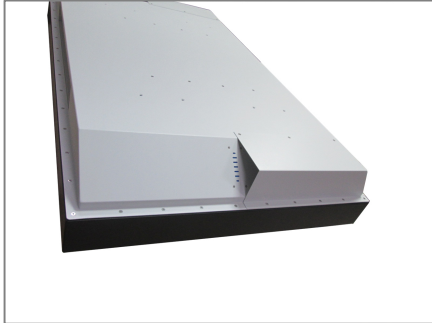
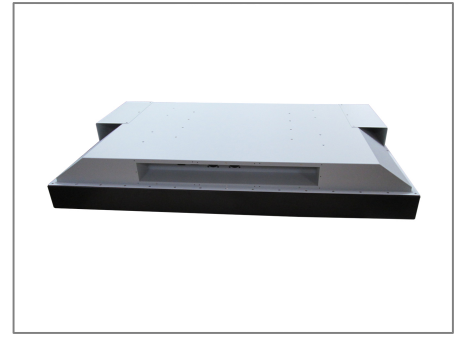
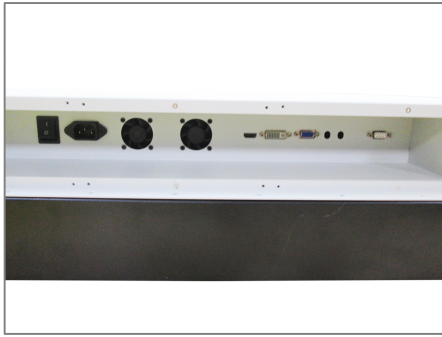


TURN ON Light Sensor (Light sensor is Default Off)



Turn on Auto light sensor with IR remote control

ACTUAL PICTURES – 03/19/25



Reference: SO# 121041