

55" All in one Plan Review Large Touch-Screen LCD Table/Kiosk comes with (2) locking and (2) non locking 4" swivel casters Rotate landscape to portrait orientation without removing the screen

MODEL: TKW5500PCT

Universal Kiosk Stand's stylish appearance and sturdy construction make it perfect for diverse applications where aesthetics and safety are key. When paired with flat panel displays between 32"-75" it becomes an integral multimedia platform perfect for virtually any public venue. Space is provided under the display mount to house a media player and surge protector, while the internal cable management system organizes and conceals cables, delivering a complete solution ideal for any application.

FEATURES

- Capable of +90° tilt for kiosk applications
- Secure media player storage below the display with simple access to the device without having to remove the display
- Cables can enter and exit on either side anywhere along the column and are held in place with a high tech polymer cover
- Textured black powder coat finish helps hide finger prints and dust
- Universal display adaptor fits mounting patterns from 200 x 200mm to 600 x 400mm and allows mounting in landscape or portrait orientation
- Caster accessory available: ACC-V900X



 <p>Mounting Pattern 200 x 200 up to 600 x 400mm</p>	 <p>Max Load 150lb (68.2kg) display 25lb (11.4kg) media player</p>
--	--



Caster accessory kit: ACC-V900X

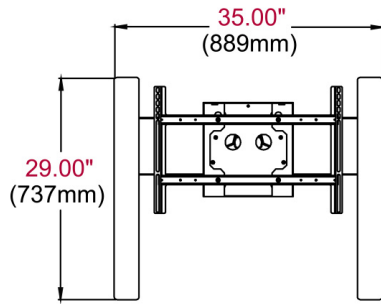
Dimensions (W X H X D)	Product Weight	Load Capacity	Finish	Available Colors
35.00" x 46.12" x 29.00" (889 x 1172 x 737mm)	52.4lb (23.8kg)	150lb (68.2kg) display 25lb (11.4kg) media player	Textured Powder Coat	Black
PACKAGE SPECIFICATIONS				
Package Size (W X H X D)	Package Ship Weight	Package Contents	Units in Package	
47.50" x 38.50" x 7.25" (1207 x 978 x 184mm)	65.4lb (29.7kg)	Base, Aluminum Column, Universal Display Adaptor, Media Player Box, Hardware & Instructions	1	

*Specifications subject to change without notice, not responsible for typographical errors.

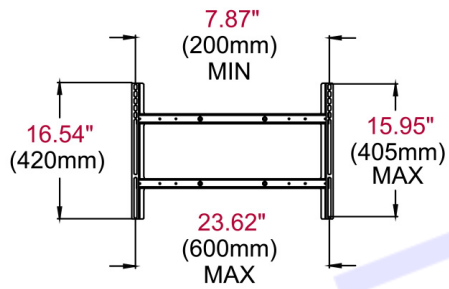
DIMENSIONS

This is subject to change without Notice. Final Drawings Will be Provided for Approval after Order.

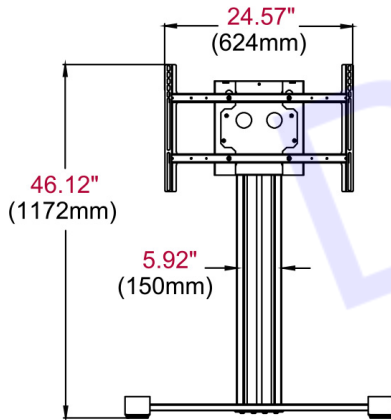
All dimensions = inch (mm)



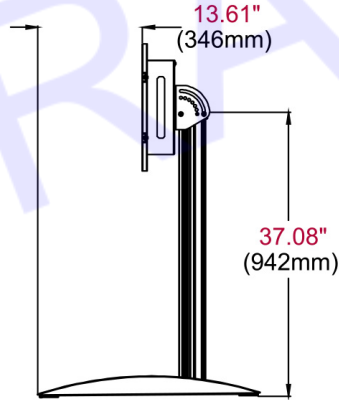
TOP VIEW



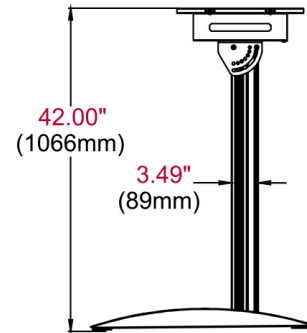
ADAPTOR PLATE



**FRONT VIEW
90° TILT**



**SIDE VIEW
90° TILT**



**SIDE VIEW
0° TILT**

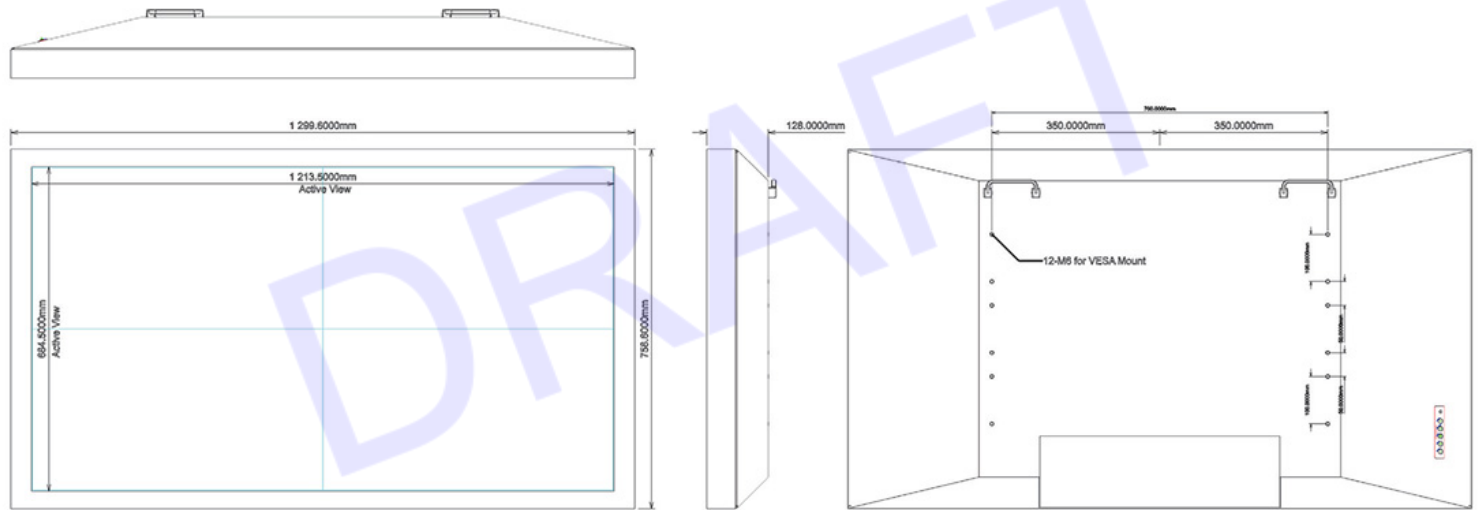
LCD SPECIFICATIONS:

DISPLAY	
Viewing Size Image	55"
Active Display Area (mm)	1209.6 (H) x 680.4 (V)
Pixel Pitch (mm)	0.21 (H)x 0.63 (V)
Resolution	1920x1080
Contrast Ratio	4000:1 (typ.)
Color	1073.7M (10bits/color)
Brightness	450 cd/m2
viewing Angle	-89~89 (H) ; -89~89 (V)
Recommended Resolution	1920 x 1080 @60Hz
Signal Connector	VGA,DVI
Touch	Projected Capacitive Touch
POWER	
Source	AC100V~AC240V
Consumption	170W typical, normal operation
Management	VESA DPMS Compliant
OPTIONAL	
High Brightness	1000,1500
Auto Dimming	YES
Power in	DC24V
Remote Control	YES
IO	AV,HDMI,DP

*Specifications subject to change without notice, not responsible for typographical errors.

LCD DIMENSIONS

This is subject to change without Notice. Final Drawings Will be Provided for Approval after Order.



UNIT:mm

CASTER ACCESSORY KIT

- Set of (4) swivel casters with (2) locking and (2) non-locking
- 4" (101.6mm) diameter non-marring wheels



CASTER SPECIFICATIONS

Color	Finish	Security Features	Swivel Yaw	Product Dimensions
Black	ABS	Non-Security Hardware	360	4" (101.6mm)

*Specifications subject to change without notice, not responsible for typographical errors.

ROTATIONAL MOUNT INTERFACE FOR CARTS AND STANDS

Allows you to rotate a display from landscape to portrait orientation with a simple pull of the spring-loaded lever, eliminating the hassle of having to remove the screen from the mount. This mount interface allows the display on a cart or stand to be stored in portrait, which saves space and protects the display from accidental damage. In addition, the RMI2C enables a display to be easily rotated and set at 15-degree increments within 360-degrees, and is compatible with a variety of Carts and Stands. Ideal for standard or creative digital signage displays, it allows for endless screen positioning.

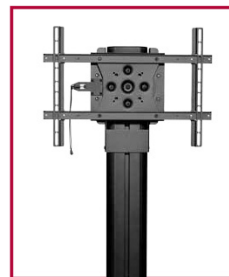
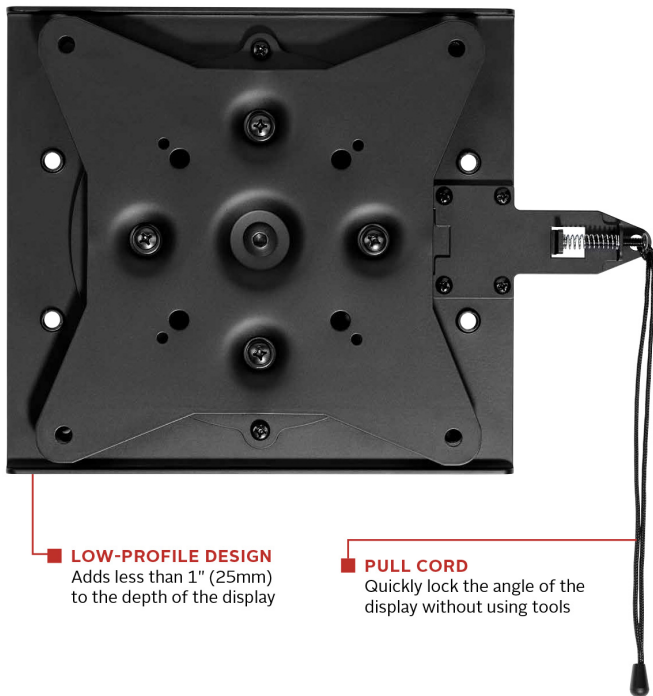
Additional Features

- Rotate landscape to portrait orientation without removing the screen
- Roll angle can be locked in 15° increments, creating endless screen positioning possibilities
- Screen can be rolled 360° without impediment, no tools required
- Tamper-resistant, spring-loaded lever with pull cord makes adjusting the screen's position simple
- Low-profile design adds less than 1" to any application

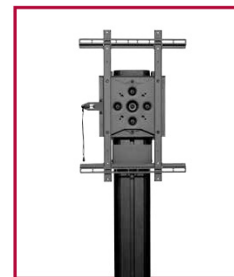


Max load
175lb (79kg)

Easily rotate a display from landscape to portrait to save storage space and protect your display from accidental damage.



Landscape



Portrait

LOW-PROFILE DESIGN
Adds less than 1" (25mm) to the depth of the display

PULL CORD
Quickly lock the angle of the display without using tools

ROTATIONAL MOUNT SPECIFICATIONS

Dimensions (W X H X D)	Product Weight	Load Capacity	Finish	Available Colors
14.16" x 9.50" x .97" (360 x 241 x 25mm)	6.7lb (3.04kg)	175lb (79kg)	Powder Coat	Black

*Specifications subject to change without notice, not responsible for typographical errors.

DIMENSIONS

This is subject to change without Notice. Final Drawings Will be Provided for Approval after Order.

All dimensions = inch (mm)

