

43" All in one Plan Review Large Touch-Screen LCD Table/Kiosk comes with (2) locking and (2) non locking 4" swivel casters Rotate landscape to portrait orientation without removing the screen

MODEL: TKW4300PCT

Universal Kiosk Stand's stylish appearance and sturdy construction make it perfect for diverse applications where aesthetics and safety are key. When paired with flat panel displays between 32"-75" it becomes an integral multimedia platform perfect for virtually any public venue. Space is provided under the display mount to house a media player and surge protector, while the internal cable management system organizes and conceals cables, delivering a complete solution ideal for any application.

**FEATURES**

- Capable of +90° tilt for kiosk applications
- Secure media player storage below the display with simple access to the device without having to remove the display
- Cables can enter and exit on either side anywhere along the column and are held in place with a high tech polymer cover
- Textured black powder coat finish helps hide finger prints and dust
- Universal display adaptor fits mounting patterns from 200 x 200mm to 600 x 400mm and allows mounting in landscape or portrait orientation
- Caster accessory available: ACC-V900X



 <p><b>Mounting Pattern</b> 200 x 200 up to 600 x 400mm</p>	 <p><b>Max Load</b> 150lb (68.2kg) display 25lb (11.4kg) media player</p>
--	--



Caster accessory kit: ACC-V900X

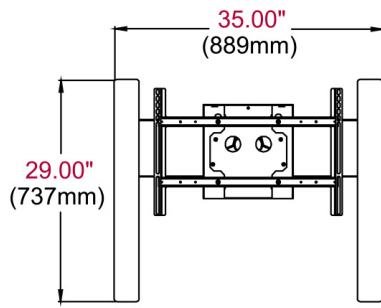
Dimensions (W X H X D)	Product Weight	Load Capacity	Finish	Available Colors
35.00" x 46.12" x 29.00" (889 x 1172 x 737mm)	52.4lb (23.8kg)	150lb (68.2kg) display 25lb (11.4kg) media player	Textured Powder Coat	Black
PACKAGE SPECIFICATIONS				
Package Size (W X H X D)	Package Ship Weight	Package Contents	Units in Package	
47.50" x 38.50" x 7.25" (1207 x 978 x 184mm)	65.4lb (29.7kg)	Base, Aluminum Column, Universal Display Adaptor, Media Player Box, Hardware & Instructions	1	

\*Specifications subject to change without notice, not responsible for typographical errors.

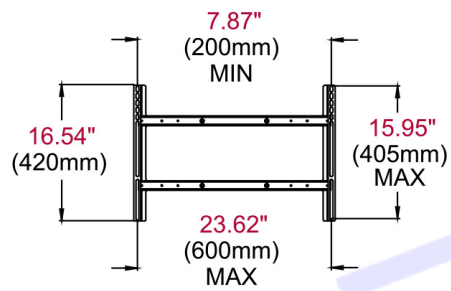
## DIMENSIONS

This is subject to change without Notice. Final Drawings Will be Provided for Approval after Order.

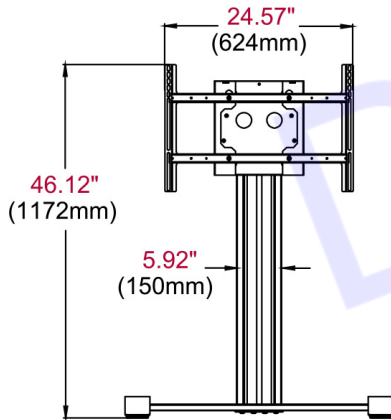
All dimensions = inch (mm)



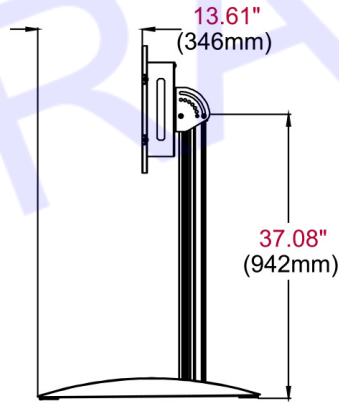
**TOP VIEW**



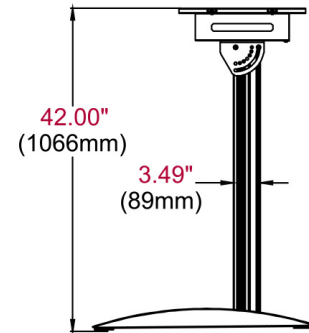
**ADAPTOR PLATE**



**FRONT VIEW  
90° TILT**



**SIDE VIEW  
90° TILT**



**SIDE VIEW  
0° TILT**

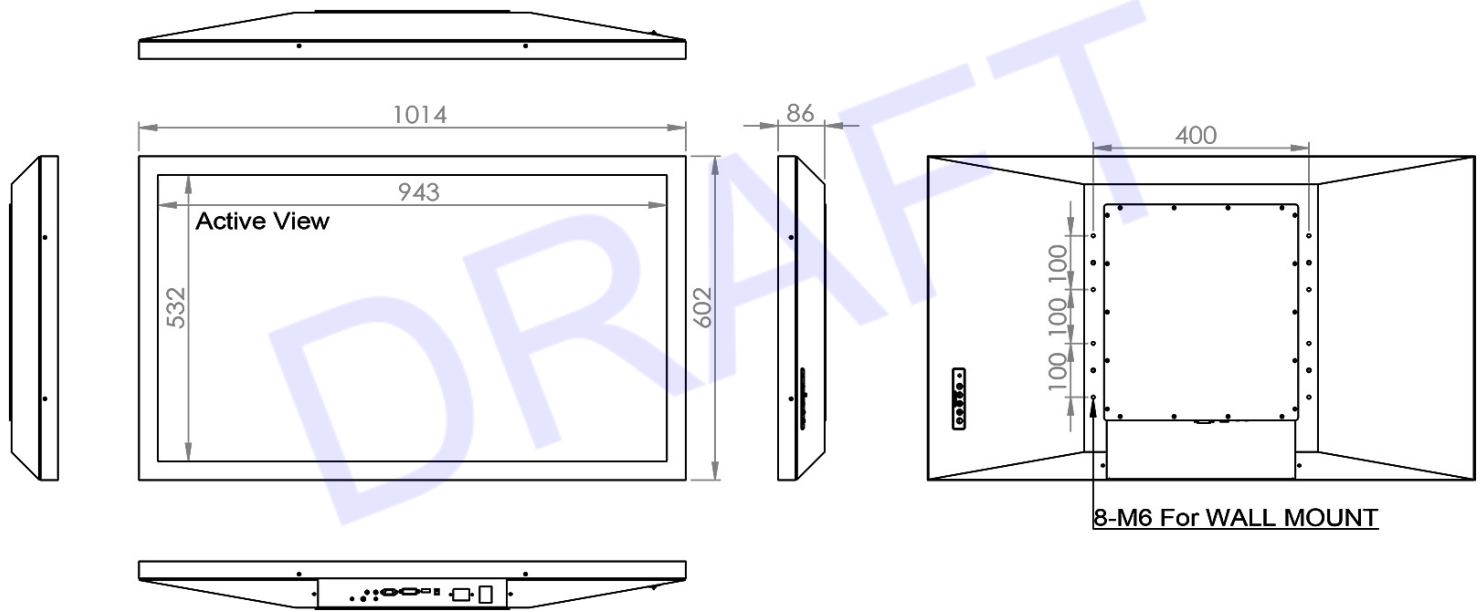
## LCD SPECIFICATIONS:

<b>DISPLAY</b>	
Viewing Size Image	43"
Active Display Area (mm)	943 (H) x 532 (V)
Pixel Pitch (mm)	0.49005(H)x 0.49005(V)
Resolution	1920x1080
Contrast Ratio	3000:1 (typ.)
Color	16.7M(6-bit+Hi-FRC)
Brightness	350nits
viewing Angle	-89-89 (H); -89-89 (V)
Recommended Resolution	1920 x 1080 @60Hz
Signal Connector	DVI+DVA
Touch	Projective Capacitive Touch
<b>POWER</b>	
Source	AC100V-AC240V
Consumption	64.18W typical, normal operation
Management	VESA DPMS Compliant
<b>OPTIONAL</b>	
High Brightness	1000,1500
Auto Dimming	YES
Power in	DC24V
Remote Control	YES
IO	AV,HDMI,DP

\*Specifications subject to change without notice, not responsible for typographical errors.

## LCD DIMENSIONS

This is subject to change without Notice. Final Drawings Will be Provided for Approval after Order.



## CASTER ACCESSORY KIT

- Set of (4) swivel casters with (2) locking and (2) non-locking
- 4" (101.6mm) diameter non-marring wheels



## CASTER SPECIFICATIONS

Color	Finish	Security Features	Swivel Yaw	Product Dimensions
Black	ABS	Non-Security Hardware	360	4" (101.6mm)

\*Specifications subject to change without notice, not responsible for typographical errors.

## ROTATIONAL MOUNT INTERFACE FOR CARTS AND STANDS

Allows you to rotate a display from landscape to portrait orientation with a simple pull of the spring-loaded lever, eliminating the hassle of having to remove the screen from the mount. This mount interface allows the display on a cart or stand to be stored in portrait, which saves space and protects the display from accidental damage. In addition, the RMI2C enables a display to be easily rotated and set at 15-degree increments within 360-degrees, and is compatible with a variety of Carts and Stands. Ideal for standard or creative digital signage displays, it allows for endless screen positioning.

## Additional Features

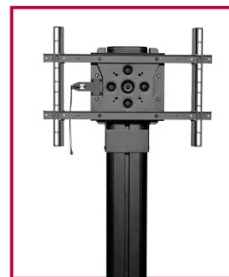
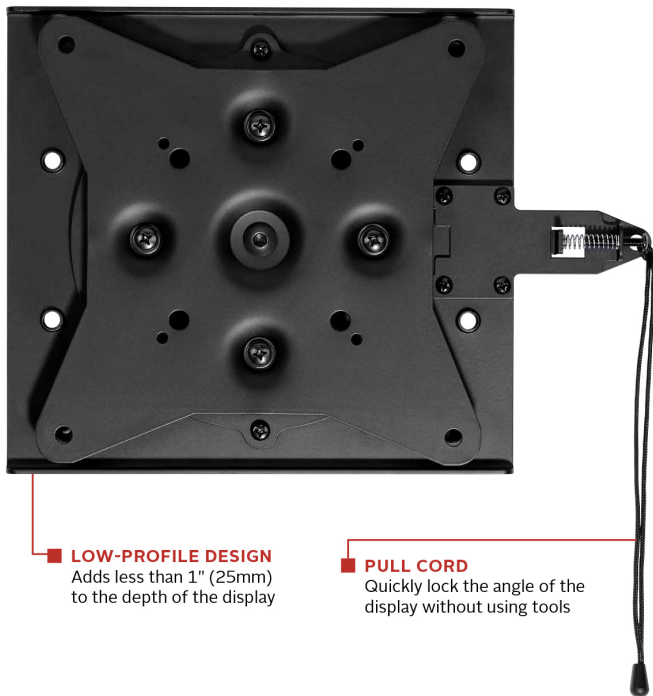
- Rotate landscape to portrait orientation without removing the screen
- Roll angle can be locked in 15° increments, creating endless screen positioning possibilities
- Screen can be rolled 360° without impediment, no tools required
- Tamper-resistant, spring-loaded lever with pull cord makes adjusting the screen's position simple
- Low-profile design adds less than 1" to any application



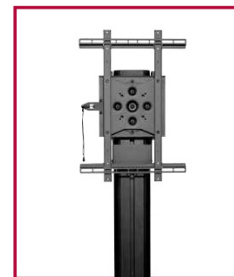
Max load

175lb (79kg)

Easily rotate a display from landscape to portrait to save storage space and protect your display from accidental damage.



Landscape



Portrait

**LOW-PROFILE DESIGN**  
Adds less than 1" (25mm) to the depth of the display

**PULL CORD**  
Quickly lock the angle of the display without using tools

### ROTATIONAL MOUNT SPECIFICATIONS

Dimensions (W X H X D)	Product Weight	Load Capacity	Finish	Available Colors
14.16" x 9.50" x .97" (360 x 241 x 25mm)	6.7lb (3.04kg)	175lb (79kg)	Powder Coat	Black

\*Specifications subject to change without notice, not responsible for typographical errors.

### DIMENSIONS

This is subject to change without Notice. Final Drawings Will be Provided for Approval after Order.

All dimensions = inch (mm)

