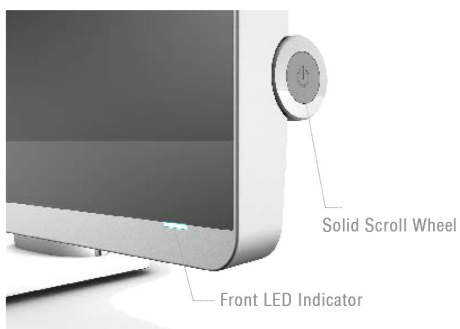


# MEDICAL GRADE TOUCH DISPLAYS

23.8" 250nits, 1920x1080, Medical Grade Display with True Flat PCAP Touch

MODEL: GMOV2380



[ WHITE ]



[ BLACK ]

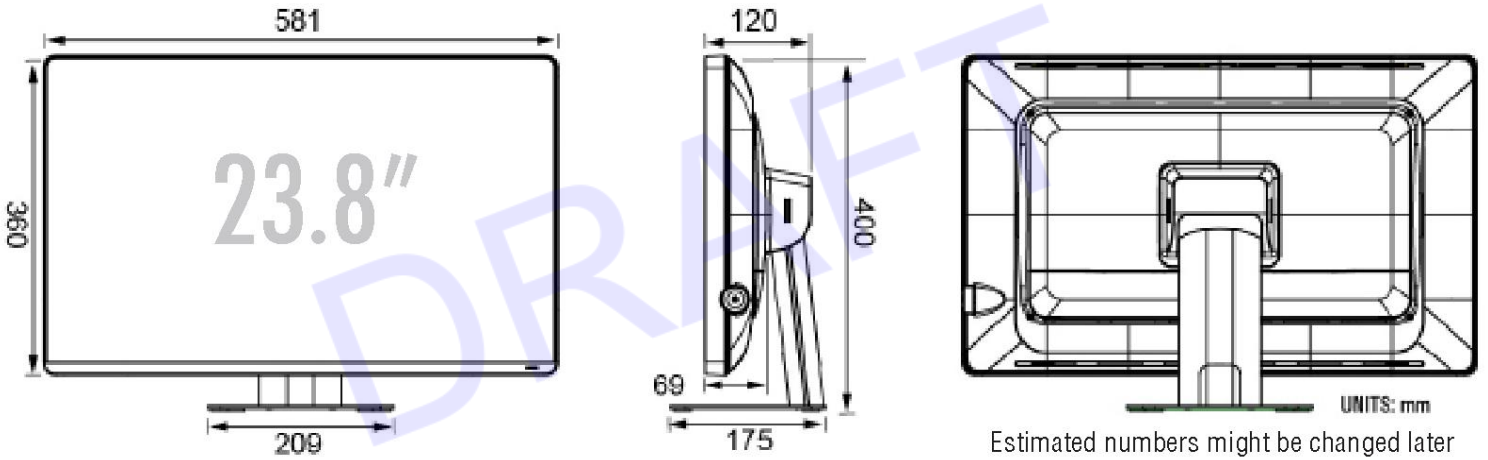
## SPECIFICATIONS

CATEGORY	SPECIFICATIONS	
<b>Panel spec</b>	Type	AHVA
	Resolution	1920(H) x 1080(V)
	Screen Size (inch)	23.8
	Display Area (mm)	527.04(H) x 296.24(V)
	Pixel Pitch (mm)	0.274 (H) x 0.274 (V)
	Viewing Angle (degree)	178 (H)/ 178 (V)
	Response Time (ms)	14 (GtG)
	Brightness (cd/m2)	250 (Typ.)
	Contrast Ratio	1000:1 (Typ.)
	Color Depth (bits)	6 +FRC
<b>I/O Interface</b>	DVI	DVI-D x1
	DP	DP1.2 x1
	VGA	D-Sub15 x1
	HDMI	N/A
	Audio	3.5mm
<b>Touch</b>	Type	P-Cap
	Touch Point	10
	Screen Printing	Black
	Glass Coating	AG
	Interface	Combo(USB/RS232)
<b>Feature</b>	Color Temperature	Neutral/Warm/Cool/User
	Gamma Selection	Neutral/2.2/DICOM
	Gamma LUT (bits)	12
	OSD Languages	English/ Spanish/ French/ German/ Italian/ Japanese
	Speaker	2W Speaker
	Scaling Mode	Full/5:4/4:3/16:9/1:1
<b>Power Requirements</b>	Power Supply	DC 24V
	Power Consumption (W)	40(Max)
<b>Physical Characteristics</b>	Dimensions (W×H×D) (mm)	581 x400 x175(with Stand) / 581 x360 x69(w/o Stand)
	VESA Mounting (mm)	100 x100
	Weight (Kg)	9.5 (with Stand) / 7.7 w/o Stand)
	ID Color	White/ Black
	IP Rating (Front)	IP65
	IP Rating (Back Cover)	IPx1
	Tilt Range (degree)	0~+30
	Pivot Range (degree)	N/A
	Swivel Range (degree)	N/A
Height Adjustment (mm)	N/A	
<b>Environmental</b>	Operating Temperature (oC)	10 to 40
	Operating Humidity (RH) Storage Temperature (oC)	30% to 75% -20 to 60
	Storage Humidity (RH)	10% to 90%
Certifications and Compliances		cTUVus(60601 Ed3.1),CB(60601 Ed3.1),CE,FCC-B

*\*Specifications subject to change without notice, not responsible for typographical errors.*

## MECHANICAL DRAWINGS

*This is subject to change without Notice. Final Drawings Will be Provided for Approval after Order.*



Drawing No.: GMOV2380-0616023-V1